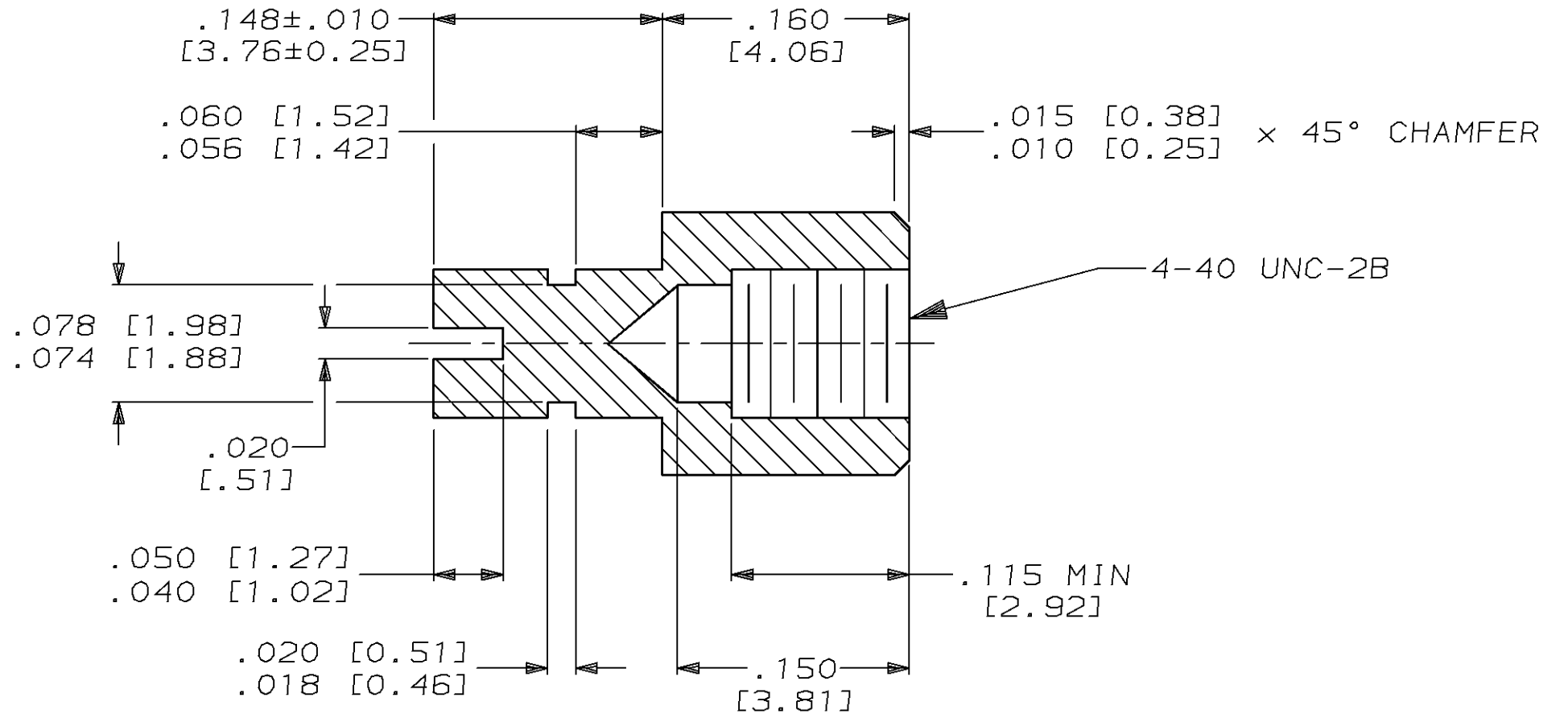
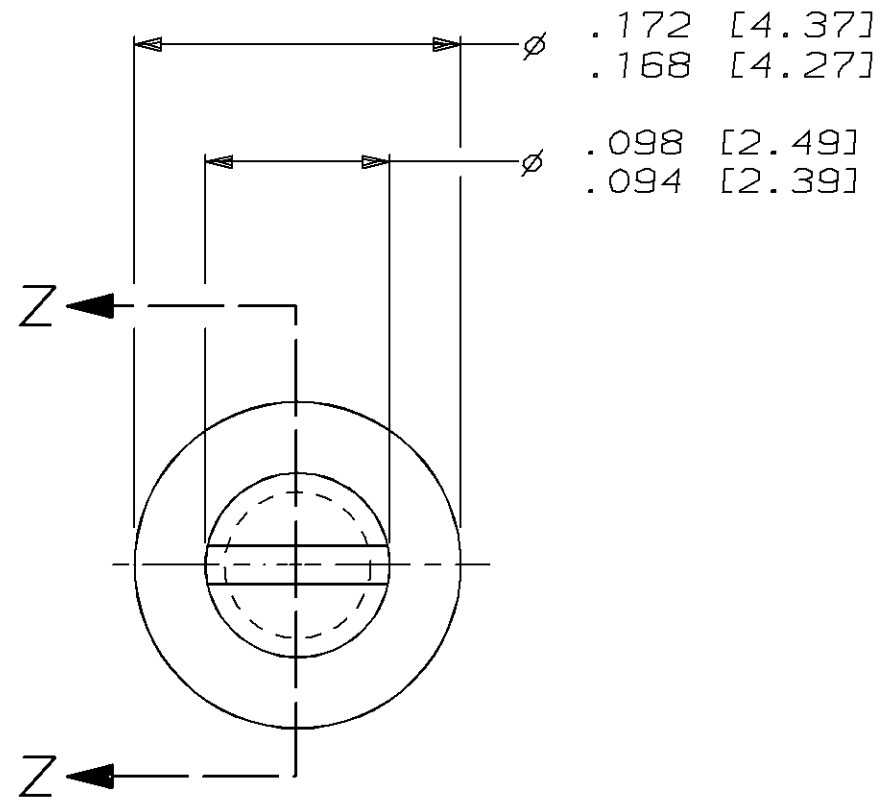


THIS DRAWING IS UNPUBLISHED. RELEASED FOR PUBLICATION, 19 .  
 © COPYRIGHT 19 BY AMP INCORPORATED. ALL INTERNATIONAL RIGHTS RESERVED.

PROD	LOC	DIST	P	F	ZONE	LTR	REVISIONS		
5380	DF	F0				0	DESCRIPTION	DATE	APPD
CODE						REL PER 0600-2440-94	TA	7-14-94	DG



- ① STAINLESS STEEL PER ASTM-A-582.
- ② PASSIVATED PER QQ-P-35.

449870-1  
 PART NUMBER

THIS DRAWING IS A CONTROLLED DOCUMENT FOR AMP INCORPORATED. IT IS SUBJECT TO CHANGE AND THE CONTROLLING ENGINEERING ORGANIZATION SHOULD BE CONTACTED FOR THE LATEST REVISION.

DO NOT SCALE PRINT. UNLESS SPECIFIED DIMENSIONS IN mm [INCHES] TOLERANCES ON: 2 PLC DEC ± - 3 PLC DEC ± .005 [0.13] ANGLES ± -	DR 7-12-94 T. ALEXANDER
	CHK 7-14-94 D. GUTTER
	APPD 7-14-94 D. GUTTER
	APPD 7-14-94 T. ALEXANDER
	PRODUCT SPEC -
MATERIAL ①	APPLICATION SPEC -
FINISH ②	WEIGHT -

<b>AMP</b> AMP Incorporated Harrisburg, PA 17105-3608		
NAME MINI-BOX, JACKSCREW, FEMALE, TURNABLE		
SIZE B	CAGE CODE 00779	DRAWING NO C-449870
SCALE 10:1	SHEET 1 OF 1	

单击下面可查看定价，库存，交付和生命周期等信息

[>>TE Connectivity\(泰科\)](#)