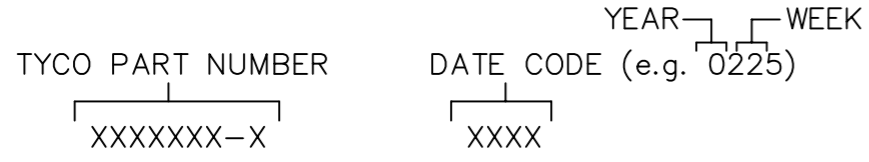


This drawing involves proprietary design rights of Tyco Electronics Corporation, and all design, manufacture, reproduction, use and sale rights regarding the same are expressly reserved. It is submitted for a specific purpose and the recipient by accepting this drawing, assumes custody and control and agrees to take reasonable precautions; (a) that this drawing will not be copied and reproduced, in whole or in part, or its contents revealed in any manner, or to any person except to meet the purpose for which it was delivered and (b) that any special features peculiar to this design will not be incorporated in other projects without the expressed written permission of Tyco Electronics Corporation.

REVISIONS			
EC	REV	DESCRIPTION	DATE
CPR	A	NEW RELEASE	12/14/05

5 ITEMS PROVIDED TO THIS SPECIFICATION TO BE PERMANENTLY IDENTIFIED PER THE FOLLOWING IDENTIFIER:



4 TABLE - SOCKET CONNECTOR PN 6643296-1			
PART NUMBER	DESCRIPTION	POSITION	QTY
1648168-2	HOUSING, SOCKET, FIXED MOUNT	N/A	1
6648400-1	CONTACT, SOCKET, SIZE #8, PCB TAIL, SILVER PLD	36 & 37	2
1648382-1	CONTACT, SOCKET, SIZE #20, PCB TAIL, GOLD PLD	16-21, 24-32	15

4 ALL PCB TAIL CONTACTS INSTALLED IN THE CONNECTOR ASSEMBLY.

3. FINISHES:

- SIZE #8 CONTACT: SILVER PLATED.
- SIZE #20 CONTACT: GOLD PLATED.
- CROWN BAND: GOLD PLATED.

2. MATERIALS:

- HOUSING: THERMOPLASTIC, GLASS REINFORCED, UL94V-0 FLAMMABILITY RATED, COLOR-BLACK.
- CONTACT: BRASS ROD ALLOY.
- CROWN BAND: BERYLLIUM COPPER.
- RETENTION CLIP: BERYLLIUM COPPER OR STAINLESS STEEL.

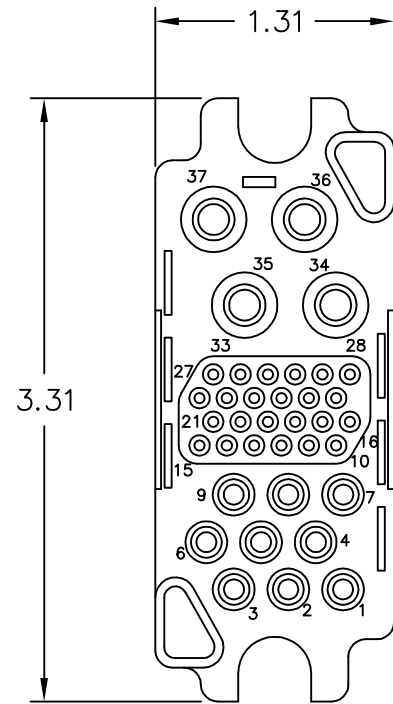
1. PART NUMBER CHANGES AND OR DESIGN CHANGES AFFECTING ITEM INTERCHANGEABILITY REQUIRE PRIOR TYCO APPROVAL AND AUTHORIZATION BY REVISION TO THIS DRAWING.

NOTES: UNLESS OTHERWISE SPECIFIED

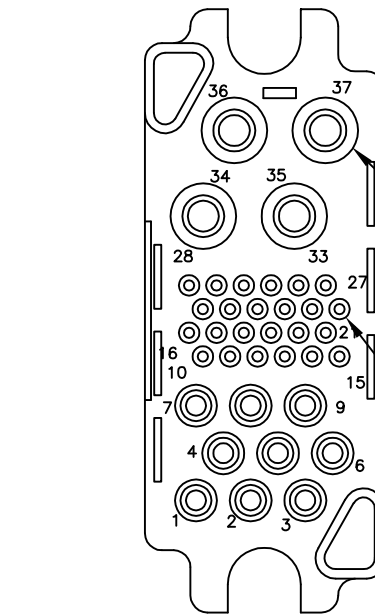
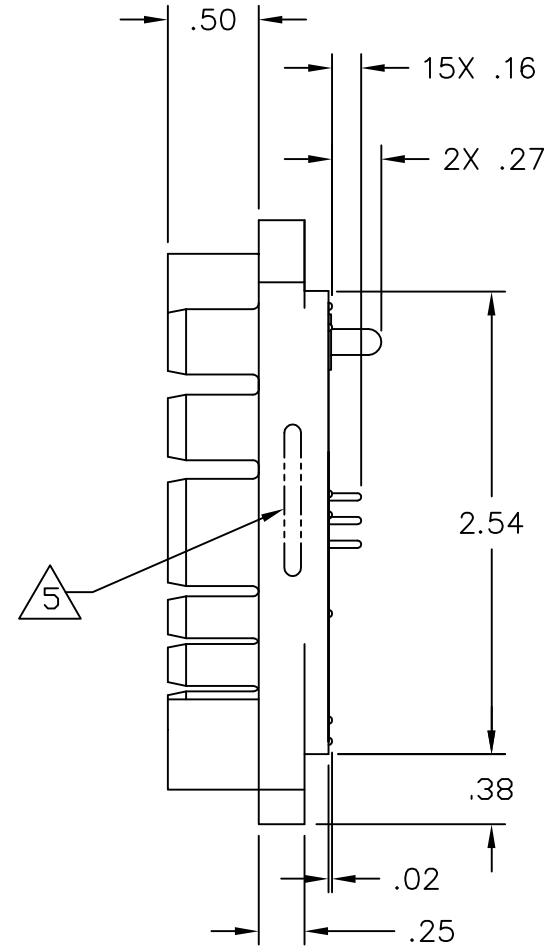
<p>THIRD ANGLE PROJECTION</p> <p>UNLESS OTHERWISE SPECIFIED DIMENSIONS ARE IN INCHES (METRIC)</p> <p>TOLERANCES</p> <p>ANGLES ± .5°</p> <p>DECIMALS</p> <p>.XXX ± .010 (.25)</p> <p>.XX ± .02 (.3)</p>	<p>INCH OR INCH (MM)</p> <p>MM</p>	<p>DRAWN</p> <p>M. ALIM</p>	<p>DATE</p> <p>12/14/05</p>	<p><b>tyco</b> Tyco Electronics Corporation</p> <p><b>Electronics</b> Menlo Park, Ca 94025</p> <p><b>ELCON</b></p>
	<p>CHECKED</p>	<p>APPROVED</p>	<p>TITLE</p> <p>CONNECTOR, SOCKET</p> <p>75 Amp MIDDLE DRAWER</p> <p>PN 6643296-1</p>	<p>SIZE</p> <p>B</p>
	<p>APPROVED</p>	<p>APPROVED</p>	<p>DWG NUMBER</p> <p>C= 6643296</p>	<p>REV.</p> <p>A</p>
	<p>D. CHAU</p> <p>12/14/05</p>	<p>M. ALIM</p> <p>12/14/05</p>	<p>ACAD FILE NUMBER</p> <p>C6643296A.DWG</p>	<p>DWG SCALE</p> <p>1=1</p>
			<p>SH 1 OF 3</p>	

This drawing involves proprietary design rights of Tyco Electronics Corporation, and all design, manufacture, reproduction, use and sale rights regarding the same are expressly reserved. It is submitted for a specific purpose and the recipient by accepting this drawing, assumes custody and control and agrees to take reasonable precautions; (a) that this drawing will not be copied and reproduced, in whole or in part, or its contents revealed in any manner, or to any person except to meet the purpose for which it was delivered and (b) that any special features peculiar to this design will not be incorporated in other projects without the expressed written permission of Tyco Electronics Corporation.

REVISIONS			
EC	REV	DESCRIPTION	DATE
		SEE SHEET 1	



FRONT VIEW



REAR VIEW  
(SOCKET CONTACT INSERTION SIDE)

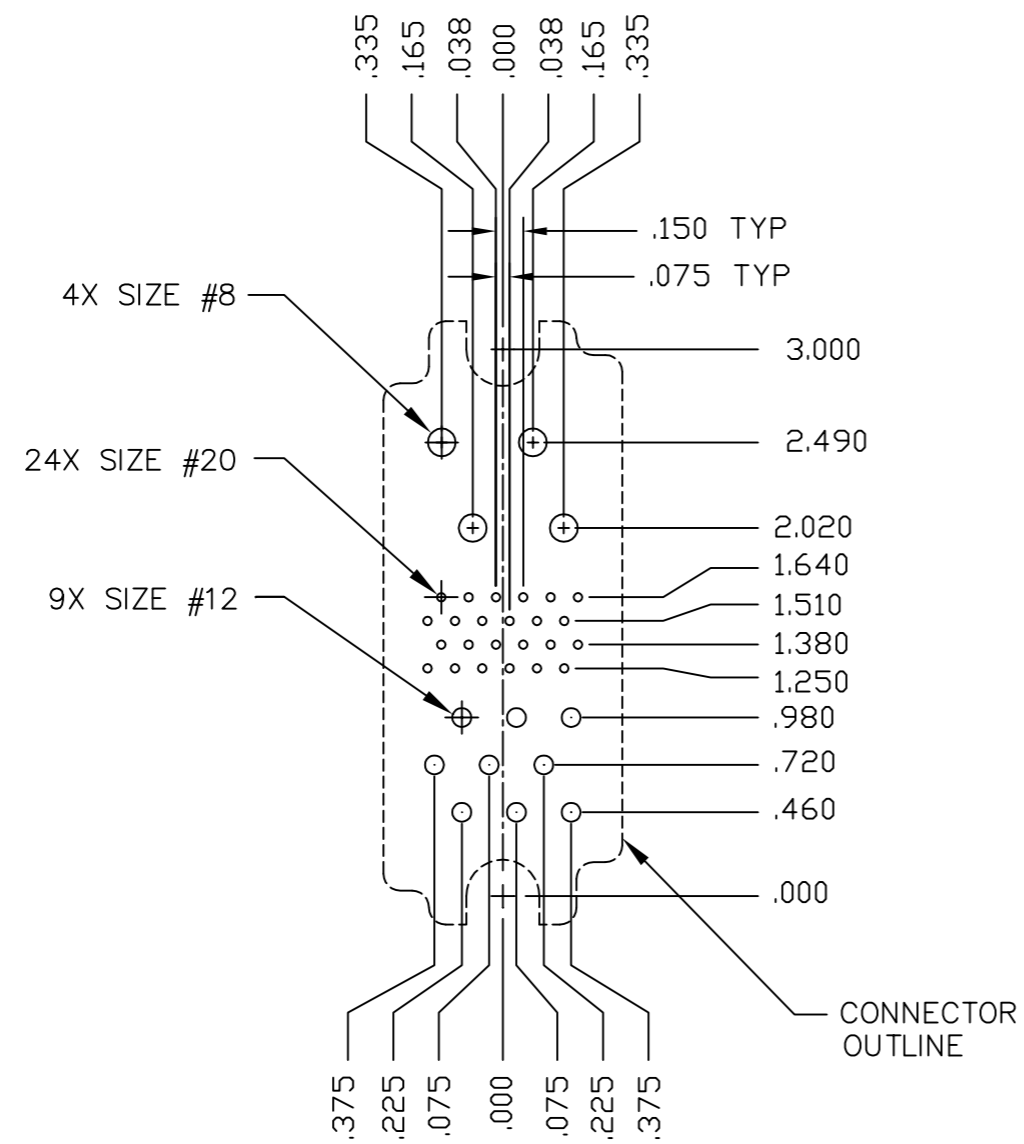
2X SOCKET CONTACT, SIZE #8  
PCB TAIL, POSN 36 & 37  
PN 6648400-1

15X SOCKET CONTACT, SIZE #20  
PCB TAIL, POSN 16-21 & 24-32  
PN 1648382-1

INCH OR INCH (MM)  THIRD ANGLE PROJECTION UNLESS OTHERWISE SPECIFIED DIMENSIONS ARE IN INCHES (METRIC) TOLERANCES ANGLES ± .5° DECIMALS .XXX ± .010 (.25) .XX ± .02 (.3)	DRAWN M. ALIM	DATE 12/14/05	 Tyco Electronics Corporation Menlo Park, Ca 94025 
	CHECKED		
	APPROVED D. CHAU	12/14/05	SIZE B
	DCA APPROVED M. ALIM	12/14/05	DWG NUMBER C= 6643296
	ACAD FILE NUMBER C6643296A.DWG		REV. A
			DWG SCALE 1=1 SH 2 OF 3

This drawing involves proprietary design rights of Tyco Electronics Corporation, and all design, manufacture, reproduction, use and sale rights regarding the same are expressly reserved. It is submitted for a specific purpose and the recipient by accepting this drawing, assumes custody and control and agrees to take reasonable precautions; (a) that this drawing will not be copied and reproduced, in whole or in part, or its contents revealed in any manner, or to any person except to meet the purpose for which it was delivered and (b) that any special features peculiar to this design will not be incorporated in other projects without the expressed written permission of Tyco Electronics Corporation.

REVISIONS			
EC	REV	DESCRIPTION	DATE
		SEE SHEET 1	



SUGGESTED PCB LAYOUT  
(VIEWED FROM CONNECTOR MOUNTING SIDE)

- RECOMMENDED PRINTED CIRCUIT BOARD HOLE SIZE #8  
FINISHED HOLE:  $\phi.147 \pm .003$   
SUGGESTED PCB PAD SIZE:  $\phi.400$  FOR #8 PRESS FIT  
DUE TO DIAMETER OF #8 SOCKET CONTACT BASE
- RECOMMENDED PRINTED CIRCUIT BOARD HOLE SIZE #20  
FINISHED HOLE:  $\phi.040 \pm .003$   
DRILLED HOLE:  $\phi.0453 \pm .0005$   
COPPER PLATE: .0010 MINIMUM (PER SURFACE)  
TIN PLATE: .0003 MINIMUM (PER SURFACE)

INCH OR INCH (MM)  THIRD ANGLE PROJECTION UNLESS OTHERWISE SPECIFIED DIMENSIONS ARE IN INCHES (METRIC) TOLERANCES ANGLES $\pm .5^\circ$ DECIMALS .XXX $\pm .010$ (.25) .XX $\pm .02$ (.3)	DRAWN M. ALIM	DATE 12/14/05	 Tyco Electronics Corporation Menlo Park, Ca 94025 
	CHECKED	APPROVED	
	APPROVED D. CHAU	12/14/05	SIZE DWG NUMBER B C-6643296
	DCA APPROVED M. ALIM	12/14/05	REV. A
	ACAD FILE NUMBER C6643296A.DWG		DWG SCALE 1=1 SH 3 OF 3

单击下面可查看定价，库存，交付和生命周期等信息

[>>TE Connectivity\(泰科\)](#)