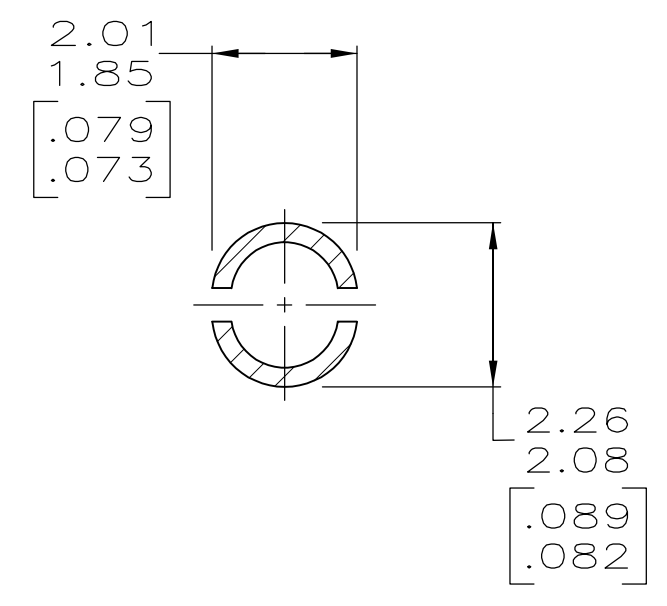
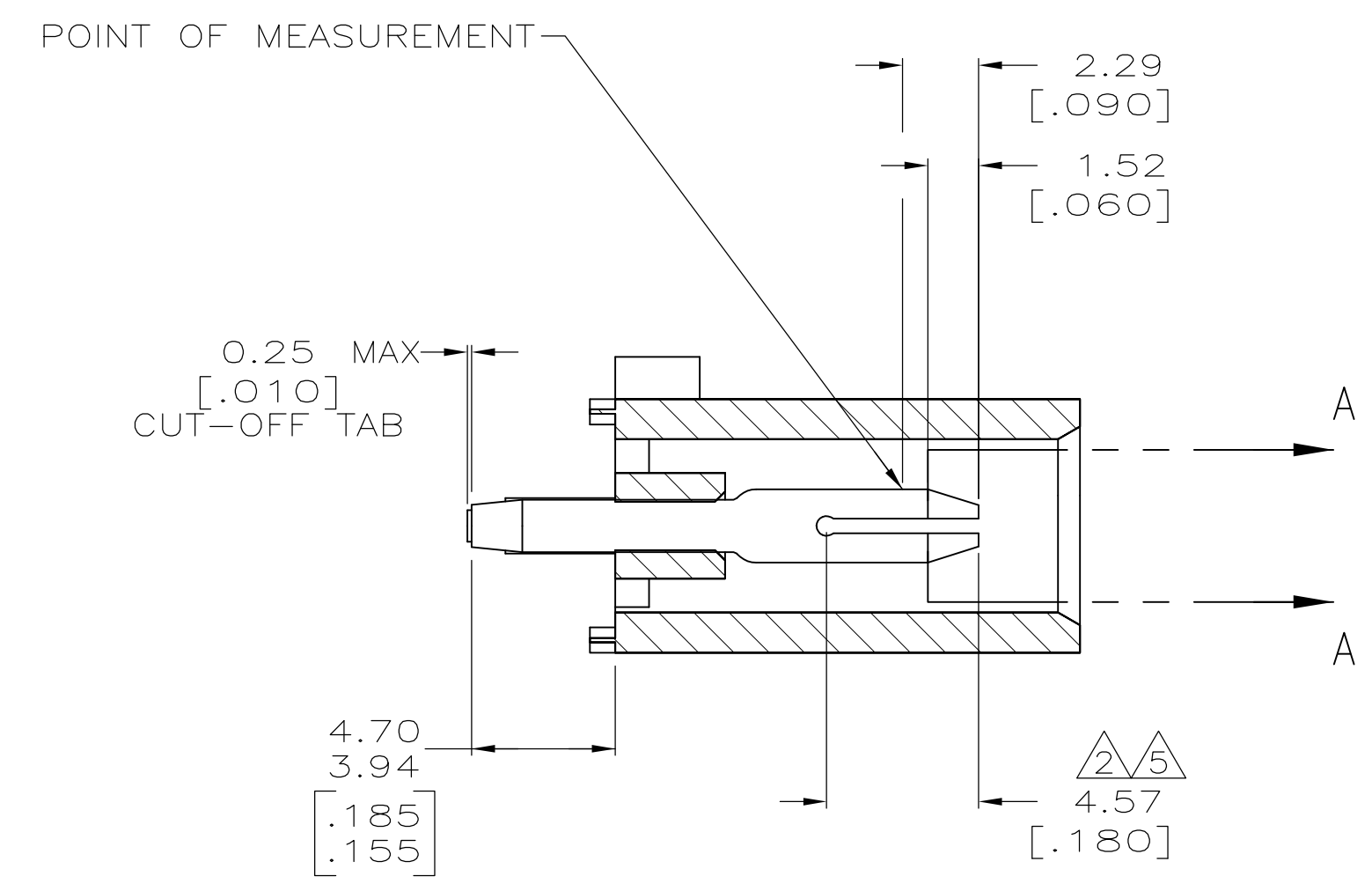
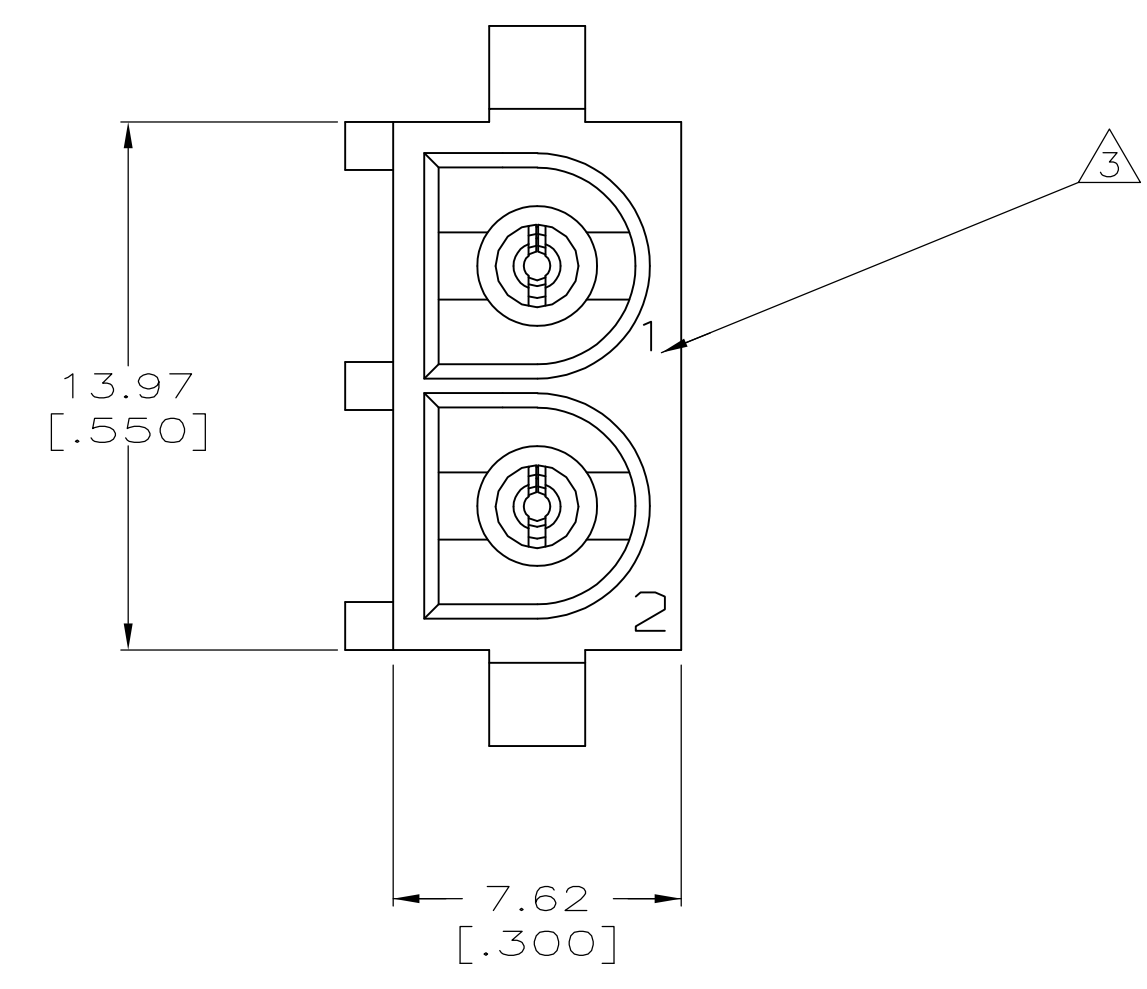
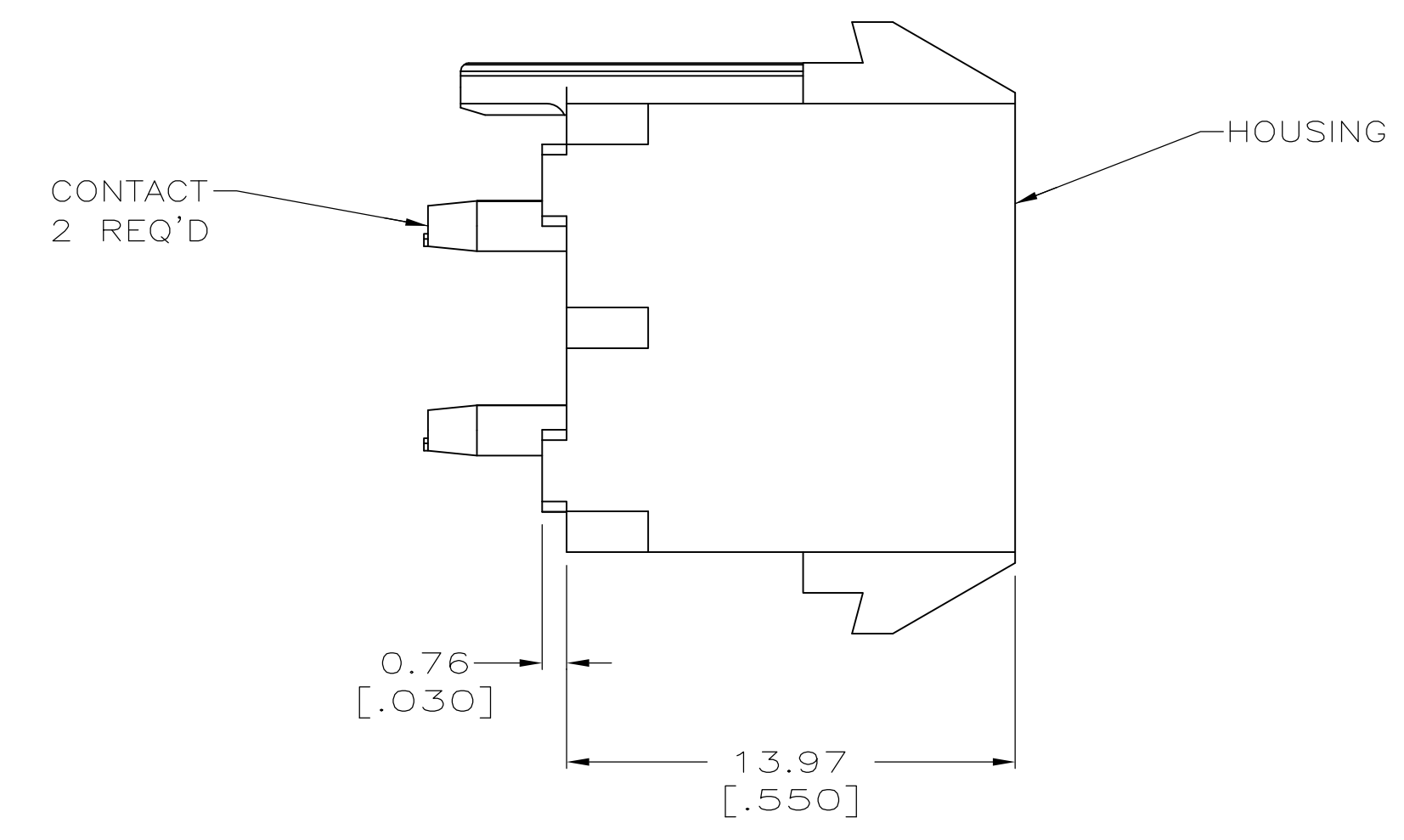
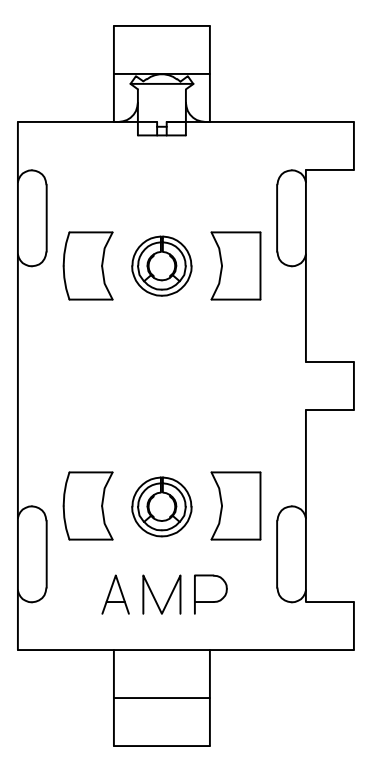
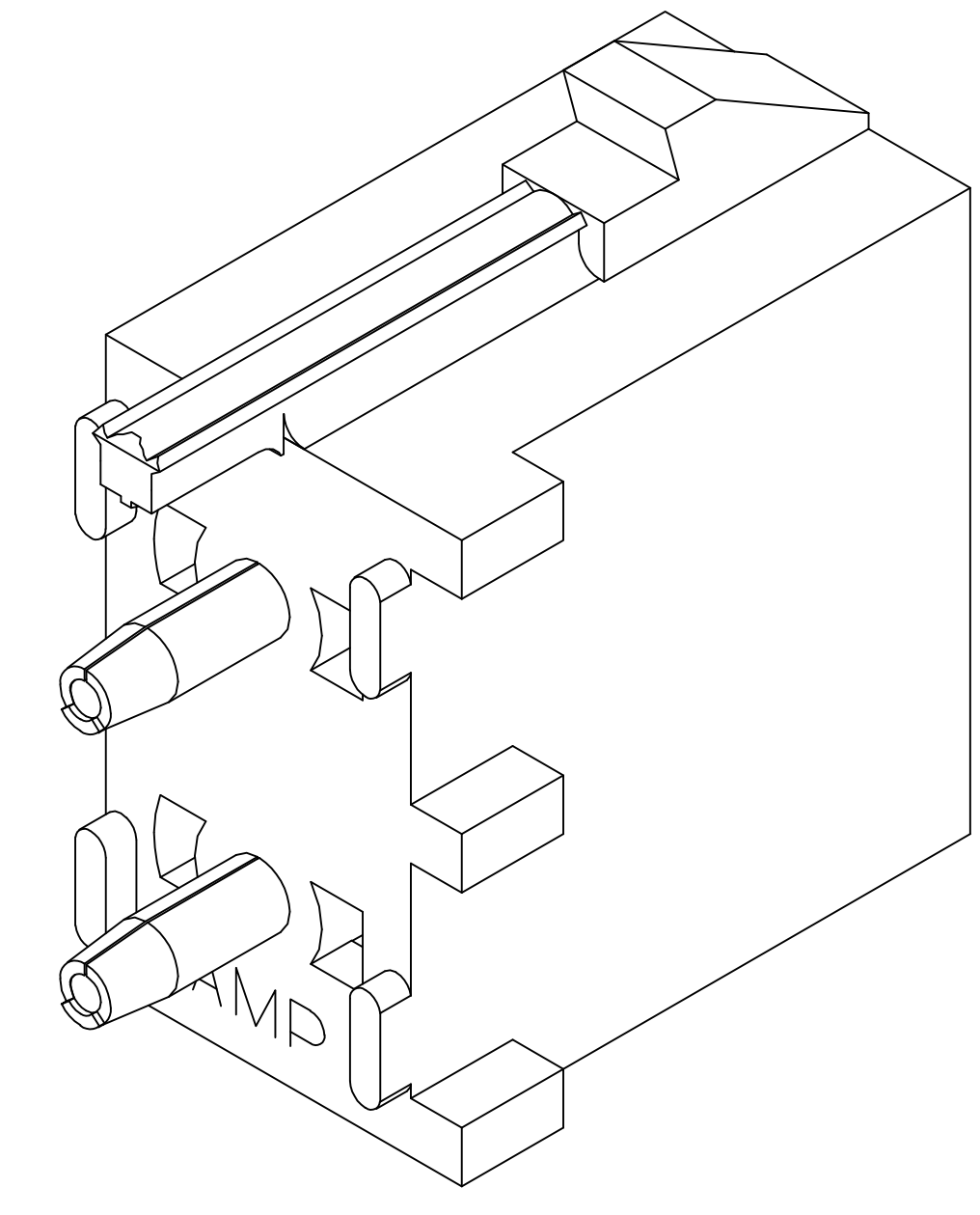


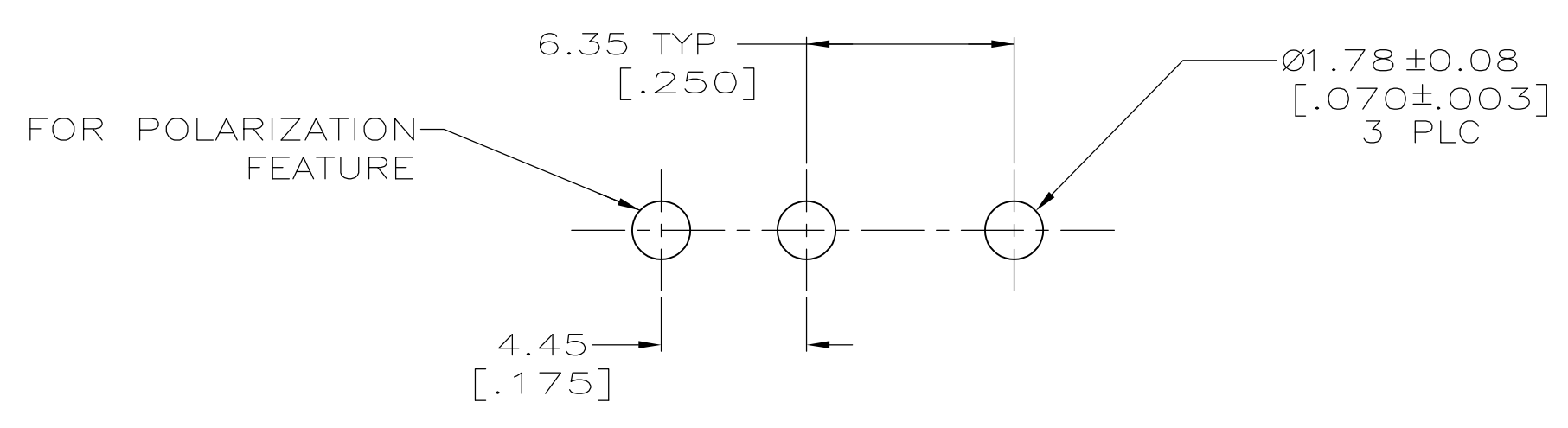
- 1 PARTS COMPLY TO AMP SOLDERABILITY SPECIFICATION 109-11-3.
- 2 CONTACT IS PLATED OVERALL WITH 0.00127[.000050] NICKEL, THEN 0.00076 [.000030] GOLD OVER CONTACT LENGTH INDICATED AND MATTE TIN LEAD ON SOLDER TAIL END.
- 3 CIRCUIT IDENTIFICATION CHARACTERS ARE ADJACENT TO THE INDICATED CAVITIES, BUT LOCATION AND ORIENTATION MAY DIFFER FROM PRINT.
- 4 DIMENSIONS IN BRACKETS ARE IN INCHES.
- 5 CONTACT IS PLATED OVERALL WITH 0.00127[.000050] NICKEL, THEN 0.00076 [.000030] GOLD OVER CONTACT LENGTH INDICATED AND MATTE TIN ON SOLDER TAIL END.
- 6 SUPERSEDED BY 641963-3



SECTION A-A
SCALE 10:1



3-DIMENSIONAL MODEL
NTS



RECOMMENDED MOUNTING HOLE PATTERN
FOR 1.57 [.062] THICK P.C. BOARD

PHOSPHOR BRONZE, GOLD	NYLON,UL94V-2,NATURAL	641963-3
PHOSPHOR BRONZE, GOLD	NYLON,UL94V-2,NATURAL	641963-2
PHOSPHOR BRONZE, PRE-TIN	NYLON,UL94V-2,NATURAL	641963-1
PIN CONTACT MATERIAL AND FINISH	HOUSING MATERIAL	PART NUMBER

THIS DRAWING IS A CONTROLLED DOCUMENT.		BIN L McEACHIN 07-JAN-2000		STE TE Connectivity	
DIMENSIONS: mm [INCHES]		TOLERANCES UNLESS OTHERWISE SPECIFIED:		NAME	
0 PLC ± -		1 PLC ± -		K COBLE 07-JUN-2000	
1 PLC ± -		2 PLC ± 0.13 [.005]		PRODUCT SPEC	
2 PLC ± -		3 PLC ± -		APPLICATION SPEC	
3 PLC ± -		4 PLC ± -		SIZE CASE CODE DRAWING NO	
4 PLC ± -		ANGLES ± 0°30'		A1 00779 641963	
MATERIAL SEE TABLE		FINISH SEE TABLE		WEIGHT	
				CUSTOMER DRAWING	
				SCALE 5:1 SHEET 1 OF 1 REV K1	

单击下面可查看定价，库存，交付和生命周期等信息

[>>TE Connectivity\(泰科\)](#)