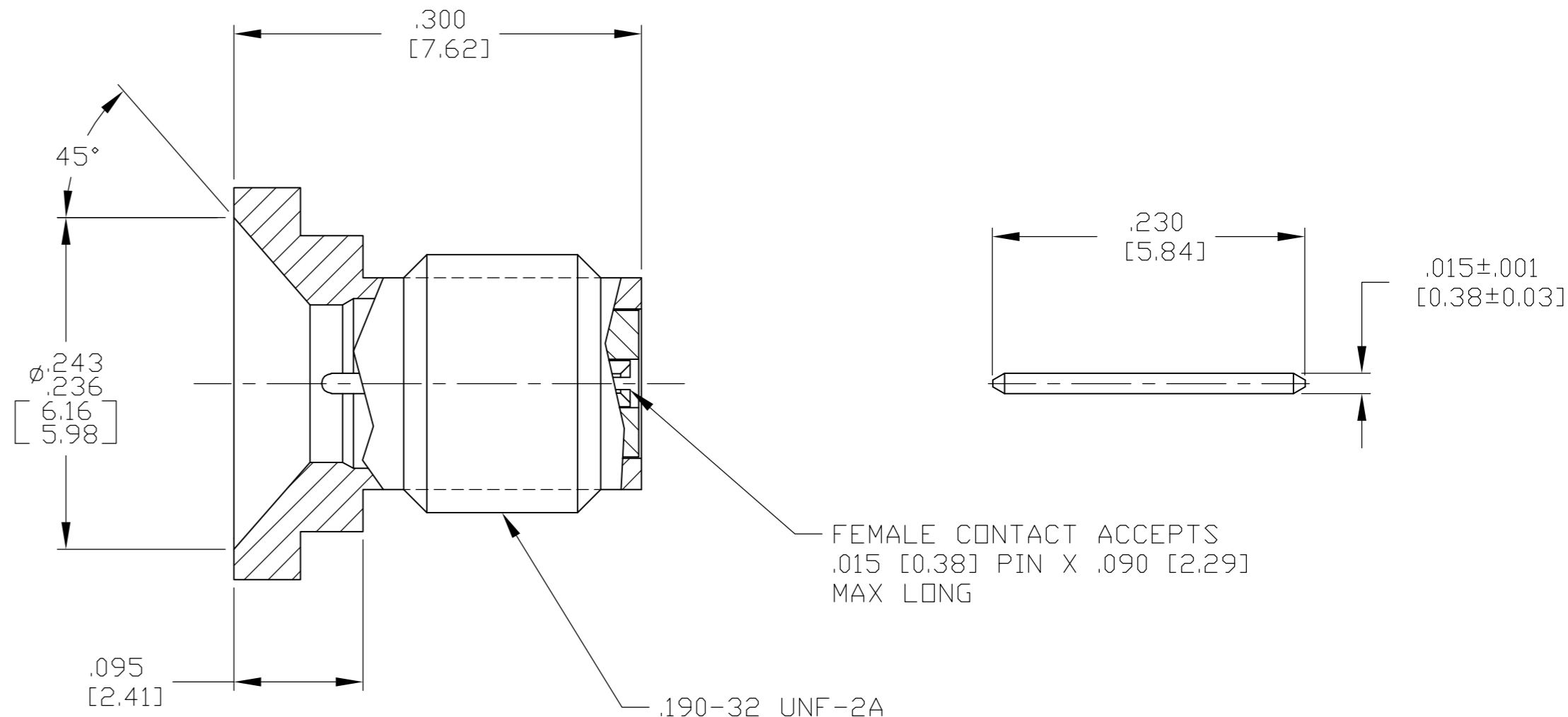
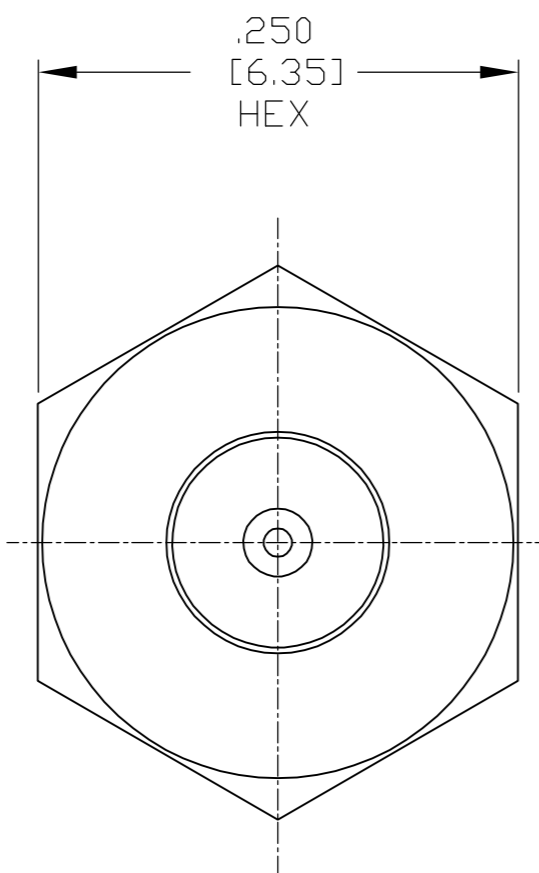


THIS DRAWING IS UNPUBLISHED.		RELEASED FOR PUBLICATION
© COPYRIGHT BY TYCO ELECTRONICS CORPORATION. ALL RIGHTS RESERVED.		
COMPONENT	MATERIAL	FINISH
HOUSING	STAINLESS STEEL PER ASTM-A-682	PASSIVATED PER AMS-QQ-P-35
DIELECTRIC	PTFE FLUORCARBON PER ASTM-D-1710	-
CENTER CONTACT SLIDE CONTACT	BERYLLIUM COPPER PER ASTM-B-196	.000100 MIN GOLD PER ASTM-B-488 OVER .000100 MIN NICKEL PER QQ-N-290

LOC	DIST	REVISIONS					
DF	X0	P	LTR	DESCRIPTION	DATE	DWN	APVD
		B		REV PER ECO 06-025473	11-3-06	CT	RG



1663670-1  
PART NUMBER

THIS DRAWING IS A CONTROLLED DOCUMENT.		DWN C.C.THOMAS 6-2-05	AMP Tyco Electronics Corporation Harrisburg, Pa 17105-3608	
DIMENSIONS: INCHES [mm]		CHK R.GROSS 6-2-05	NAME SMP THREAD-IN PLUG ASSY WITH SLIDING PIN	
TOLERANCES UNLESS OTHERWISE SPECIFIED:		APVD R.GROSS 6-2-05	SIZE A2	
0 PLC ± -		PRODUCT SPEC	CAGE CODE 00779	DRAWING NO 1663670
1 PLC ± -		APPLICATION SPEC	RESTRICTED TO	
2 PLC ± -		WEIGHT	-	
3 PLC ± .005 [0.13]		CUSTOMER DRAWING	SCALE 10:1	SHEET 1 OF 1
4 PLC ± -			REV B	
ANGLES ± -				
FINISH				
MATERIAL SEE TABLE				
FINISH SEE TABLE				

单击下面可查看定价，库存，交付和生命周期等信息

[>>TE Connectivity\(泰科\)](#)