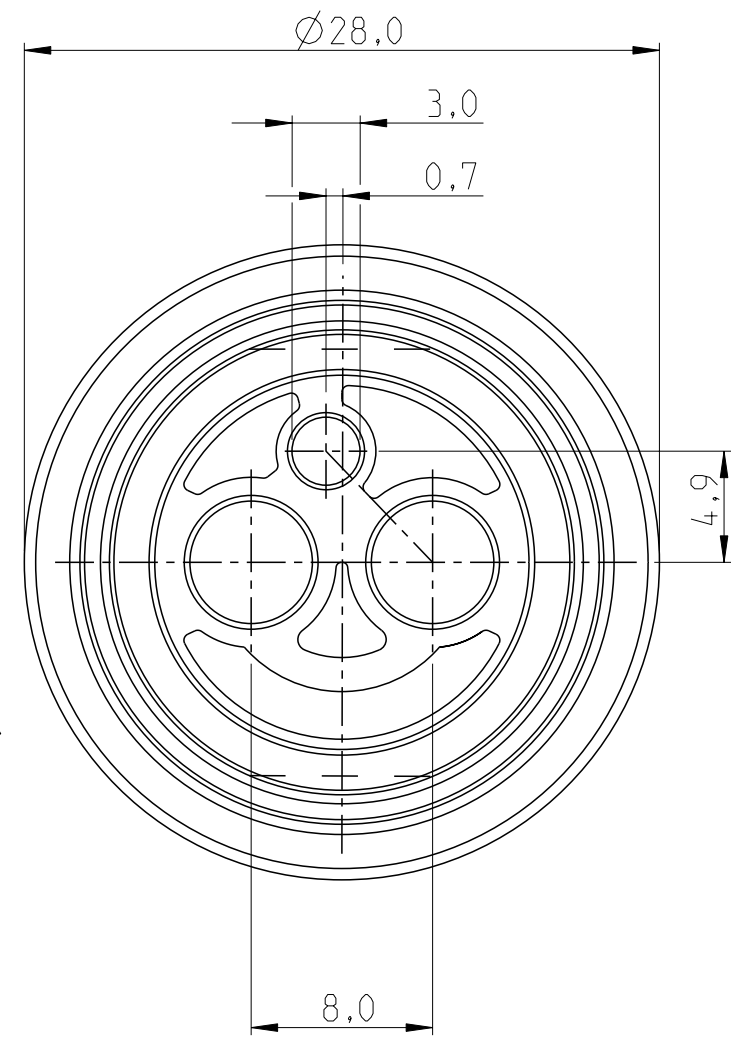
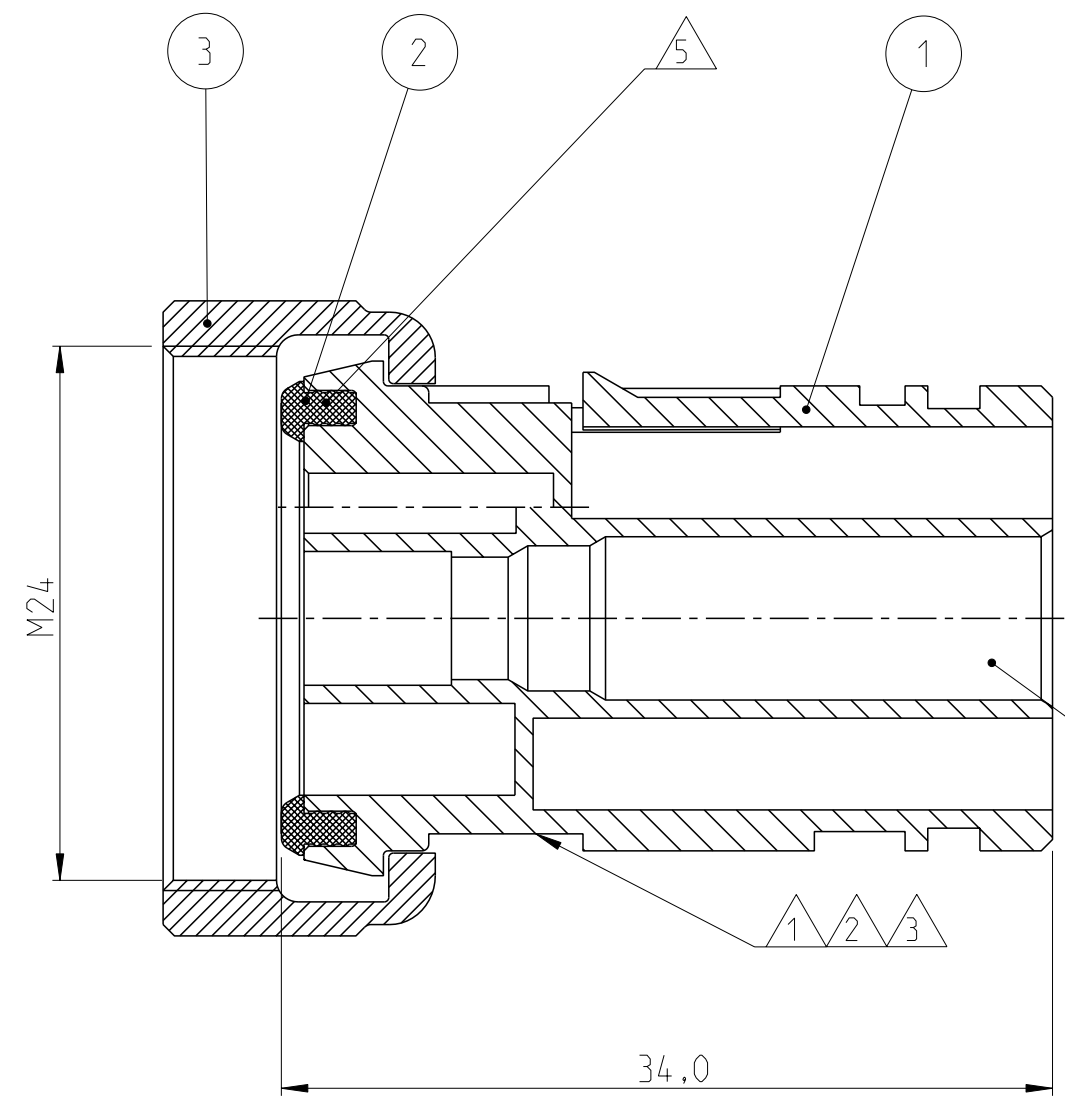


THIS DRAWING IS UNPUBLISHED. RELEASED FOR PUBLICATION
 © COPYRIGHT - ALL RIGHTS RESERVED.

LOC	DIST	REVISIONS				
P	LTR	DESCRIPTION	DATE	DWN	APVD	
FM	-	A	H-9765	13MAY1992	LvdH	RotB
		B	EH-08960-93	18NOV1993	DK	RotB
		D1	ECR-12-004695	13MAR2012	GB	SzG
		D2	ECR-13-014597	21JAN2014	GB	SzG



- NOTES:
- △ 1 TRADEMARK PER SPEC. 115-19030-3
 - △ 2 TE-IDENTIFICATION NUMBER ACC. DIN 1451 MITTLESCHR. HEIGHT 1.2
 - △ 3 TE-MOLD IDENTIFICATION NUMBER
 - △ 4 CAVITY FOR;
 - 1. 4mm. SOCKET CONTACT
WIRE SIZE 0.5-4mm²
SEE DRAWING NR.962952-1
NR.962954-1
NR.962956-1
 - 2. SCAT SEE DRAWING NR.963243-1
NR.963244-1
 - △ 5 SEAL BONDED IN INSERT.

-1 AS SHOWN

MATERIAL	DESCRIPTION	COLOUR/FINISH	PART NO	ITEM
BRASS	NUT M24	BRASS	100296-1	3
SILICON RUBBER	SEALING RING	BLACK	100294-1	2
PBT	2-POS. HOUSING	BLACK	100287-1	1

THIS DRAWING IS A CONTROLLED DOCUMENT.		DWN J.v.Liempt 10FEB1992	TE Connectivity NAME ASSY 2 POS HOUSING FOR 4mm SOCKET CONTACT M24 VERSION	
DIMENSIONS: mm		CHK R.o.t.Berg 10FEB1992		
TOLERANCES UNLESS OTHERWISE SPECIFIED:		APVD L.v.Soest 24NOV1993		
0 PLC ± 1 PLC ±0.2 2 PLC ±0.02 3 PLC ±0.005 4 PLC ± ANGLES ±°		PRODUCT SPEC -		
MATERIAL -		FINISH -	APPLICATION SPEC -	SIZE A3
			WEIGHT -	CAGE CODE 00779
				DRAWING NO C=100283
				RESTRICTED TO -
CUSTOMER DRAWING			SCALE 3:1	SHEET 1 OF 1
				REV D2

单击下面可查看定价，库存，交付和生命周期等信息

[>>TE Connectivity\(泰科\)](#)