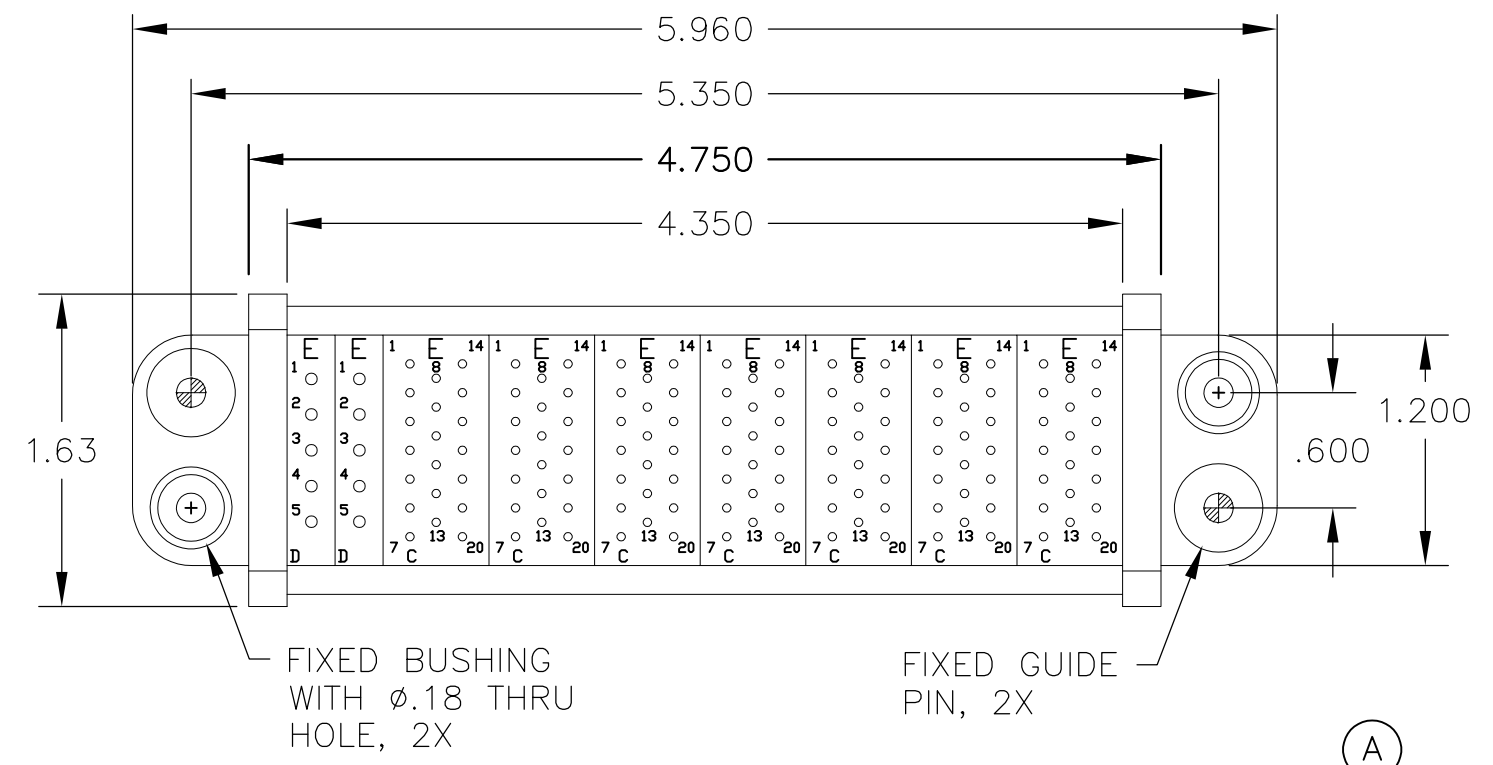


THIS DRAWING IS UNPUBLISHED. RELEASED FOR PUBLICATION  
 © COPYRIGHT BY TYCO ELECTRONICS CORPORATION. ALL RIGHTS RESERVED.

LOC GP	DIST 00	REVISIONS			
P	LTR	DESCRIPTION	DATE	DWN	APVD
	A	NEW RELEASE	25APR07	RG	DO



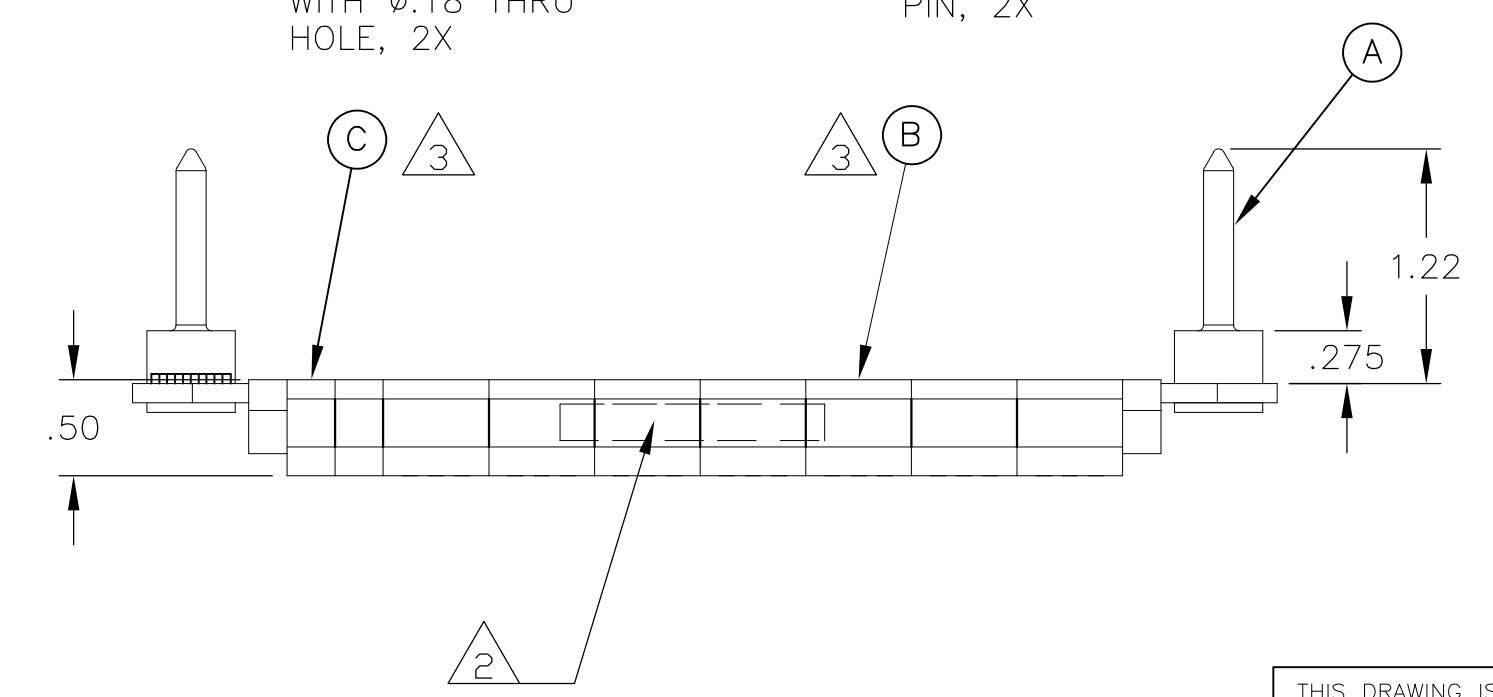
1. PART NUMBER CHANGES AND/OR DESIGN CHANGES AFFECTING ITEM INTERCHANGEABILITY REQUIRE PRIOR TYCO APPROVAL AND AUTHORIZATION BY REVISION TO THIS DRAWING.

2 ITEMS PROVIDED TO THIS SPECIFICATION TO BE PERMANENTLY IDENTIFIED PER THE FOLLOWING IDENTIFIER:

YEAR WEEK  
 TYCO PART NUMBER DATE CODE (e.g. 0212)  
 XXXXXXXX-X XXXX

3 MODULES NOTED ARE CRIMP REMOVABLE STYLE CONTACTS. THIS ASSEMBLY DOES NOT INCLUDE PIN CONTACTS. PROPER CONTACT ORDERING AND SELECTION SHALL BE THE RESPONSIBILITY OF THE CUSTOMER.

4 MOUNTING FLANGES BUSHING ACCEPT 6/32 SCREW ( $\phi$ .156 CLEARANCE HOLE, FLOAT MOUNT) OR 8/32 SCREW ( $\phi$ .173 CLEARANCE HOLE, FIXED MOUNT), USER SUPPLIED.



2	1648464-1	MODULE D	C
7	1648463-1	MODULE C	B
2	6648259-1	END CAP, GUIDE PIN, FLOAT	A
-1	PART NUMBER	DESCRIPTION	ITEM

THIS DRAWING IS A CONTROLLED DOCUMENT.		DWN R.GRZYBOWSKI 25APR2007	Tyco Electronics Corporation Harrisburg, PA 17105-3608	
DIMENSIONS: INCHES		CHK D.ORRIS 25APR07	NAME PIN CONNECTOR DOMINO W/ PANEL CUT-OUT	
TOLERANCES UNLESS OTHERWISE SPECIFIED:		APVD S.FLICKINGER 25APR07	PRODUCT SPEC	
0 PLC $\pm$ -		APPLICATION SPEC		
1 PLC $\pm$ -		SIZE		
2 PLC $\pm$ .02		CAGE CODE		
3 PLC $\pm$ .010		DRAWING NO		
4 PLC $\pm$ -		RESTRICTED TO		
ANGLES $\pm$ -		A3 00779 C-6646123		
MATERIAL		WEIGHT		
FINISH		CUSTOMER DRAWING		
		SCALE 1:1		SHEET 1 OF 2
				REV A

4

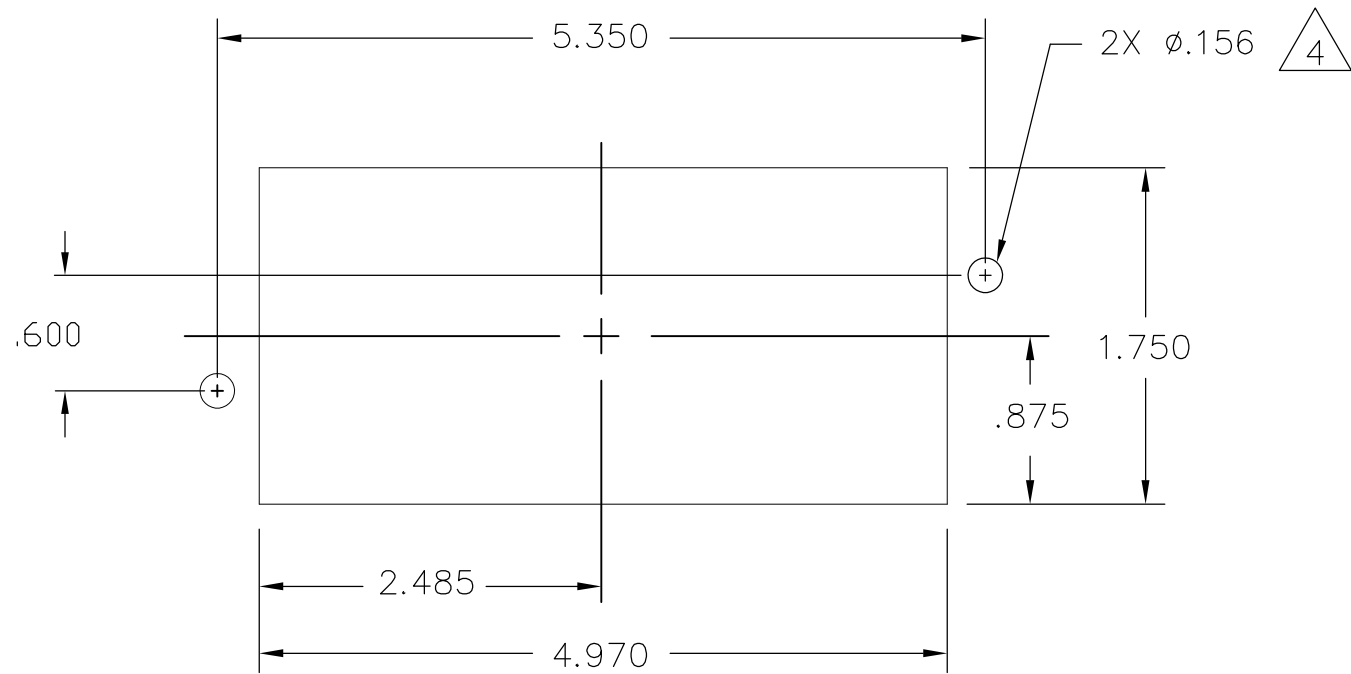
3

2

1

THIS DRAWING IS UNPUBLISHED. RELEASED FOR PUBLICATION  
 © COPYRIGHT - BY TYCO ELECTRONICS CORPORATION. ALL RIGHTS RESERVED.

LOC	DIST	REVISIONS					
GP	00	P	LTR	DESCRIPTION	DATE	DWN	APVD
		-		SEE SHEET 1	-	-	-



PIN PANEL MOUNT CUTOUT  
 SCALE: NONE

THIS DRAWING IS A CONTROLLED DOCUMENT.		DWN	25APR2007		Tyco Electronics Corporation		
		CHK	25APR07		Harrisburg, PA 17105-3608		
		APVD	25APR07		NAME		
		PRODUCT SPEC	PIN CONNECTOR				
		APPLICATION SPEC	DOMINO				
			W/ PANEL CUT-OUT				
DIMENSIONS: INCHES		TOLERANCES UNLESS OTHERWISE SPECIFIED:		SIZE	CAGE CODE	DRAWING NO	RESTRICTED TO
		0 PLC	± -	A3	00779	G-6646123	-
		1 PLC	± -				
		2 PLC	± .02				
		3 PLC	± .010				
		4 PLC	± -				
		ANGLES	± -				
MATERIAL		FINISH		WEIGHT		CUSTOMER DRAWING	
-		-		-		SCALE 1:1 SHEET 2 OF 2 REV A	

单击下面可查看定价，库存，交付和生命周期等信息

[>>TE Connectivity\(泰科\)](#)