

THIS DRAWING IS UNPUBLISHED.

RELEASED FOR PUBLICATION

ALL RIGHTS RESERVED.

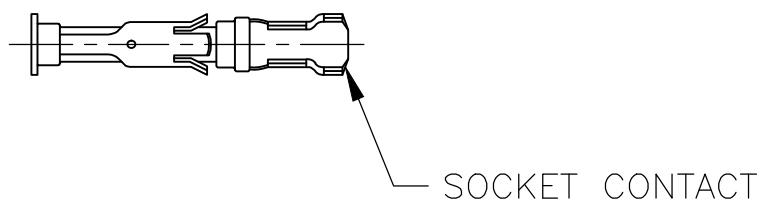
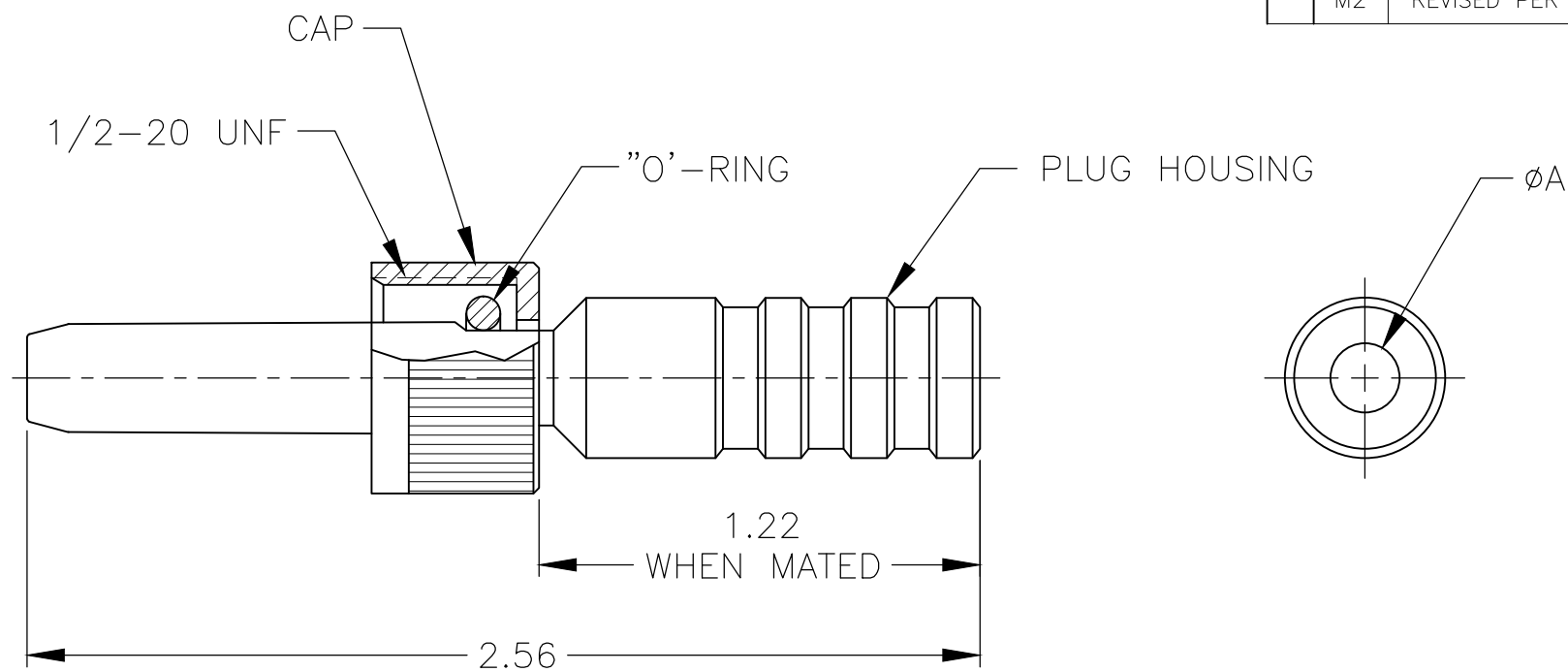
© COPYRIGHT - By -

LOC  
DF

DIST  
SO


REVISIONS

P	LTR	DESCRIPTION	DATE	DWN	APVD
M2		REVISED PER ECO-14-007310	28AUG2014	MGM	CT



	20-22 AWG	.302	1-66399-0	5-861610-4
	16-18 AWG	.185	1-66101-9	5-861610-3
	16-18 AWG	.302	1-66101-9	5-861610-2
	20-22 AWG	.185	1-66399-0	5-861610-1
OBSOLETE	14 AWG	.302	66360-2	861610-8
OBSOLETE	14 AWG	.185	66360-2	861610-7
	-	.302	-	861610-6
	-	.185	-	861610-5
	20-22 AWG	.302	66399-1	861610-4
	16-18 AWG	.185	66101-2	861610-3
	16-18 AWG	.302	66101-2	861610-2
	20-22 AWG	.185	66399-1	861610-1
	SOCKET WIRE SIZE	DIM A	SOCKET CONTACT TYPE III+ QTY = 1	PART NUMBER

1. MAX VOLTAGE AFTER PROPER ASSEMBLY: 20 KVDC
2. MATES WITH TE P/N'S: 861611, 861753 AND 862197.

THIS DRAWING IS A CONTROLLED DOCUMENT.		DWN C.C.THOMAS 11OCT04	 <b>TE Connectivity</b>													
DIMENSIONS: INCHES		CHK D.EABY 10-12-04														
TOLERANCES UNLESS OTHERWISE SPECIFIED:		APVD D.EABY 10-12-04	NAME KIT,HI-VOLTAGE PLUG,LGH													
<table border="1"> <tr> <td>0 PLC</td> <td>± -</td> </tr> <tr> <td>1 PLC</td> <td>± -</td> </tr> <tr> <td>2 PLC</td> <td>± .01</td> </tr> <tr> <td>3 PLC</td> <td>± .005</td> </tr> <tr> <td>4 PLC</td> <td>± -</td> </tr> <tr> <td>ANGLES</td> <td>± -</td> </tr> </table>		0 PLC	± -	1 PLC	± -	2 PLC	± .01	3 PLC	± .005	4 PLC	± -	ANGLES	± -	PRODUCT SPEC -	-	
0 PLC	± -															
1 PLC	± -															
2 PLC	± .01															
3 PLC	± .005															
4 PLC	± -															
ANGLES	± -															
MATERIAL -		FINISH -	APPLICATION SPEC -	-												
		WEIGHT -	SIZE A3	CAGE CODE 00779	DRAWING NO C-861610											
CUSTOMER DRAWING			RESTRICTED TO -	SCALE 2:1	SHEET 1 OF 1											
			REV M2													

单击下面可查看定价，库存，交付和生命周期等信息

[>>TE Connectivity\(泰科\)](#)