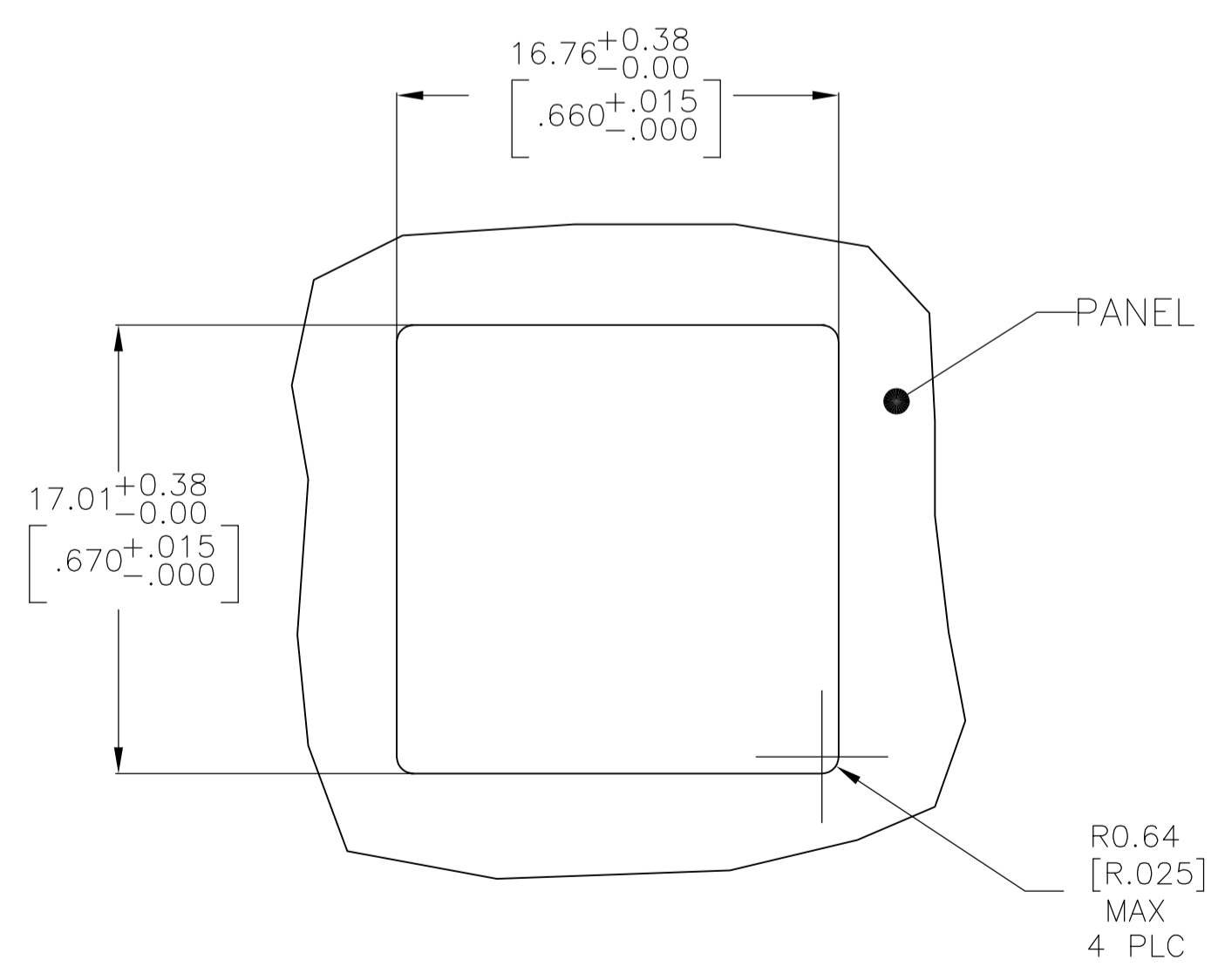
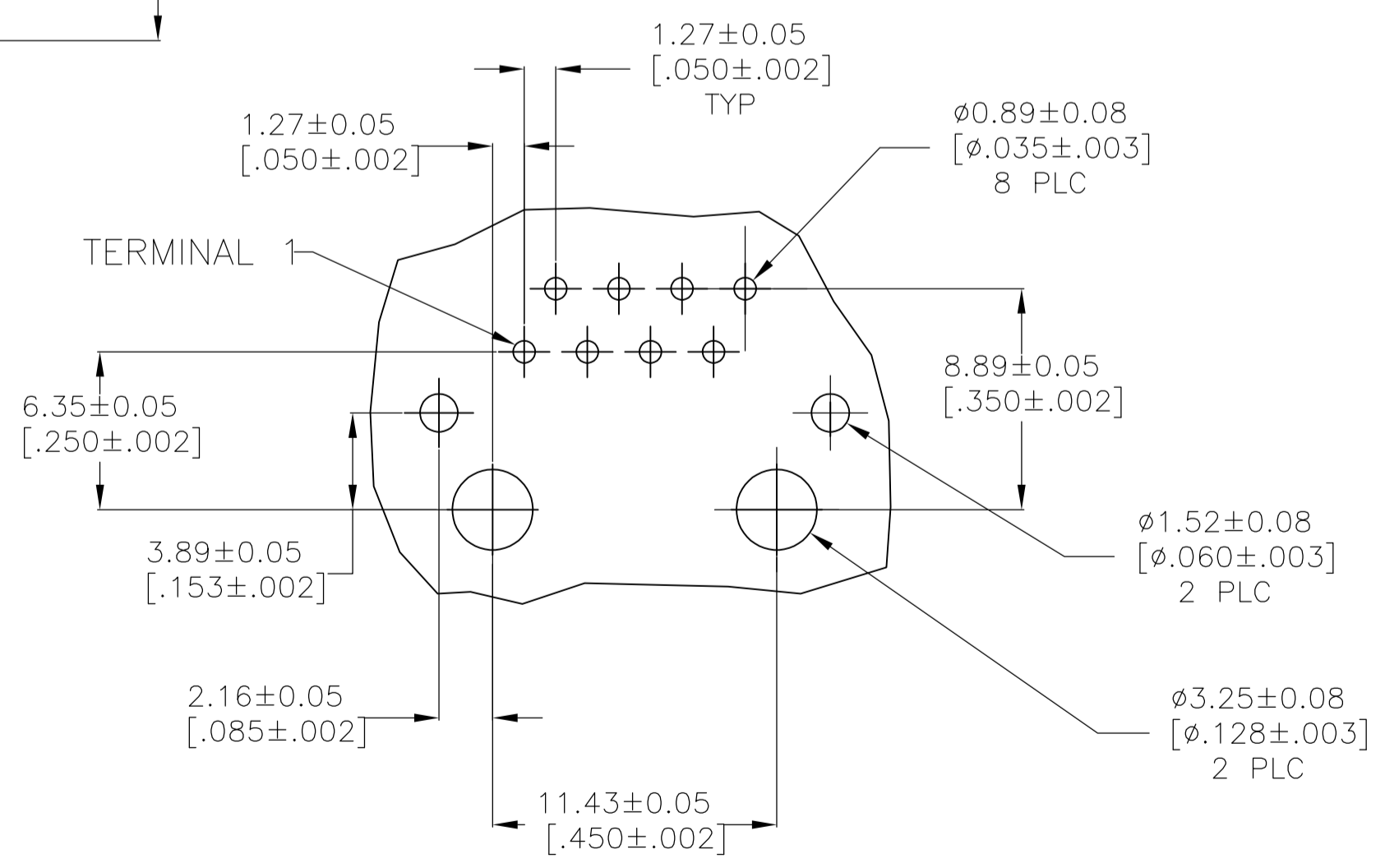
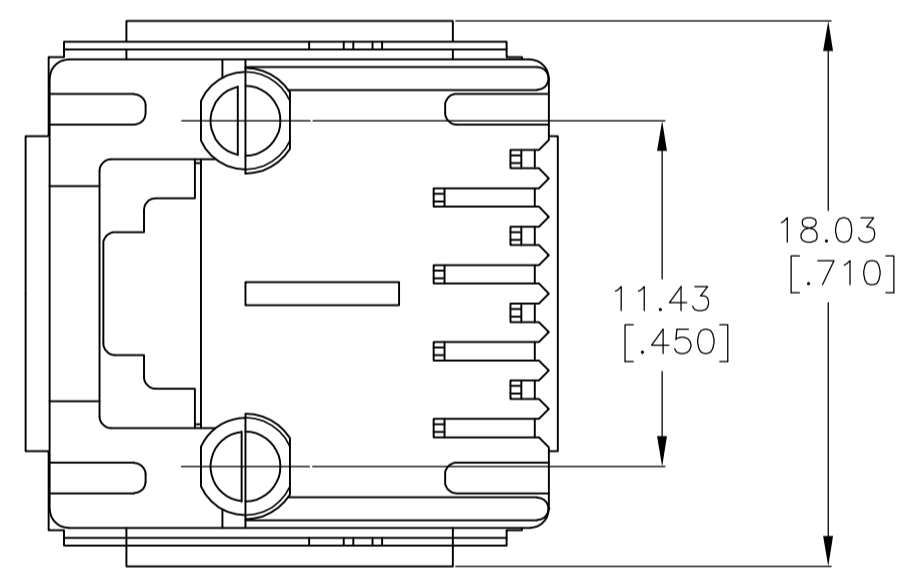
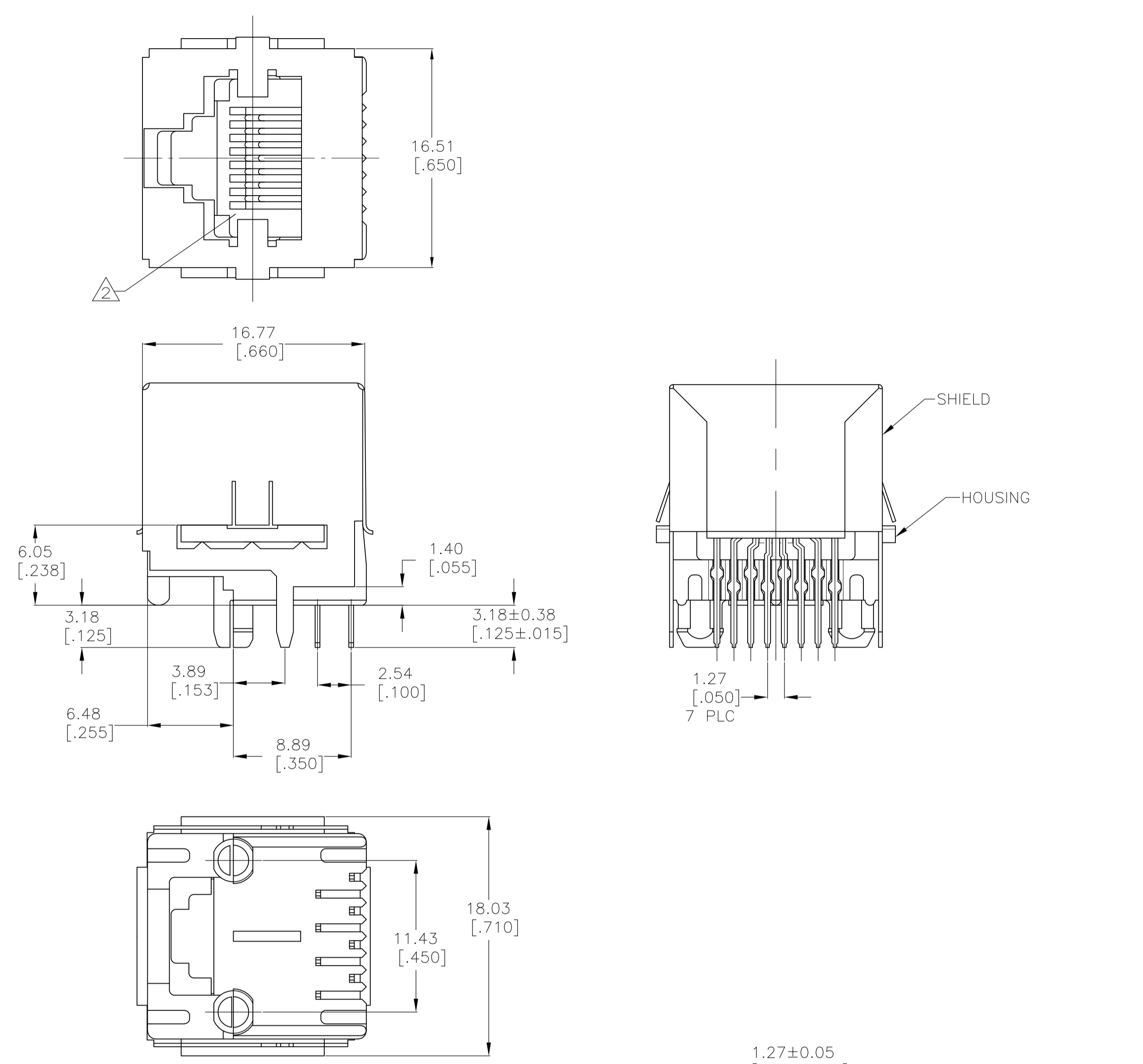


- MATERIAL:
 HOUSING – POLYESTER MOLDING COMPOUND, UL 94-V0, COLOR: BLACK
 TERMINALS – 0.35[.0138] THICK PHOS BRONZE PLATED WITH 1.27 μ m[.000050] MIN THICK GOLD IN LOCALIZED AREA AND 3.81 μ m[.000150] MIN THICK MATTE TIN IN SOLDER AREA OVER 1.27 μ m[.000050] MIN THICK NICKEL UNDERPLATE
 SHIELD – COPPER ZINC ALLOY PLATED WITH 3.0 μ m[.000120] MIN THICK REFLOWED TIN.

2 CAVITY CONFORMS TO FCC RULES AND REGULATIONS PART 68 AND REA BULLETIN 345-81, PE-76 SPECIFICATION FOR MODULAR TELEPHONE HARDWARE.

3. BULK PACKAGED IN A TRAY



5557484-1
PART NO

THIS DRAWING IS A CONTROLLED DOCUMENT.		DIN G. ATTADIA - 10JUN2005		STE TE Connectivity	
DIMENSIONS: mm [INCHES]		CHK J. WESTMAN 10JUN2005		NAME	
TOLERANCES UNLESS OTHERWISE SPECIFIED:		APVD S. FLICKINGER 10JUN2005		MODULAR JACK ASSEMBLY, TOP ENTRY, 8 POSITION, FLANGELESS, SHIELDED, WITH PANEL STOPS, PANEL & PCB GROUNDS	
0 PLC ± -	1 PLC ± -	PRODUCT SPEC		108-1163	
2 PLC ± -	3 PLC ± 0.13[.005]	APPLICATION SPEC		114-2048	
4 PLC ± -	ANGLES ± -	SIZE		CAGE CODE DRAWING NO RESTRICTED TO	
MATERIAL SEE NOTE 1	FINISH SEE NOTE 1	WEIGHT		A1 00779 5557484	
CUSTOMER DRAWING		SCALE 4:1		SHEET 1 OF 1 REV D1	

单击下面可查看定价，库存，交付和生命周期等信息

[>>TE Connectivity\(泰科\)](#)