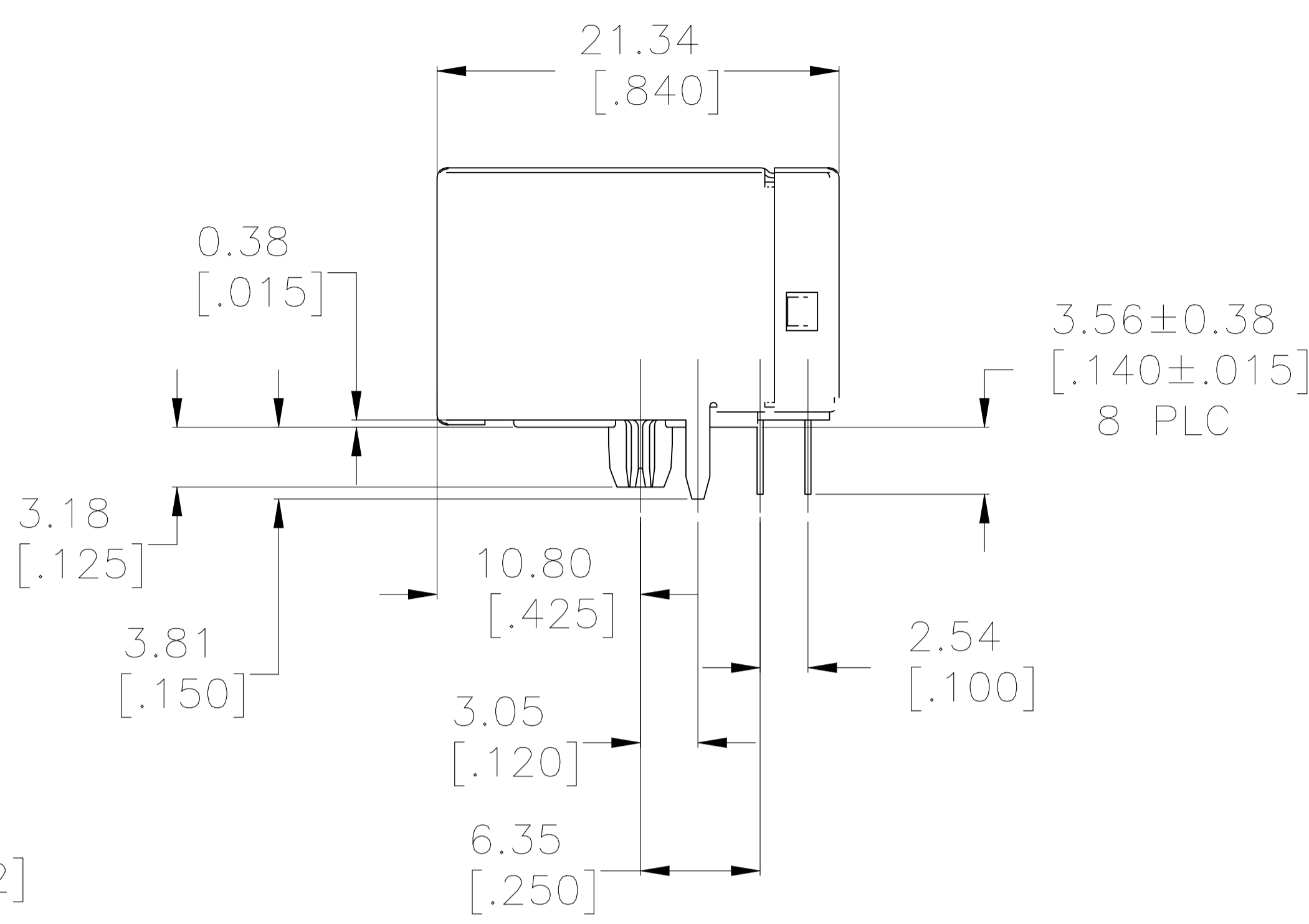
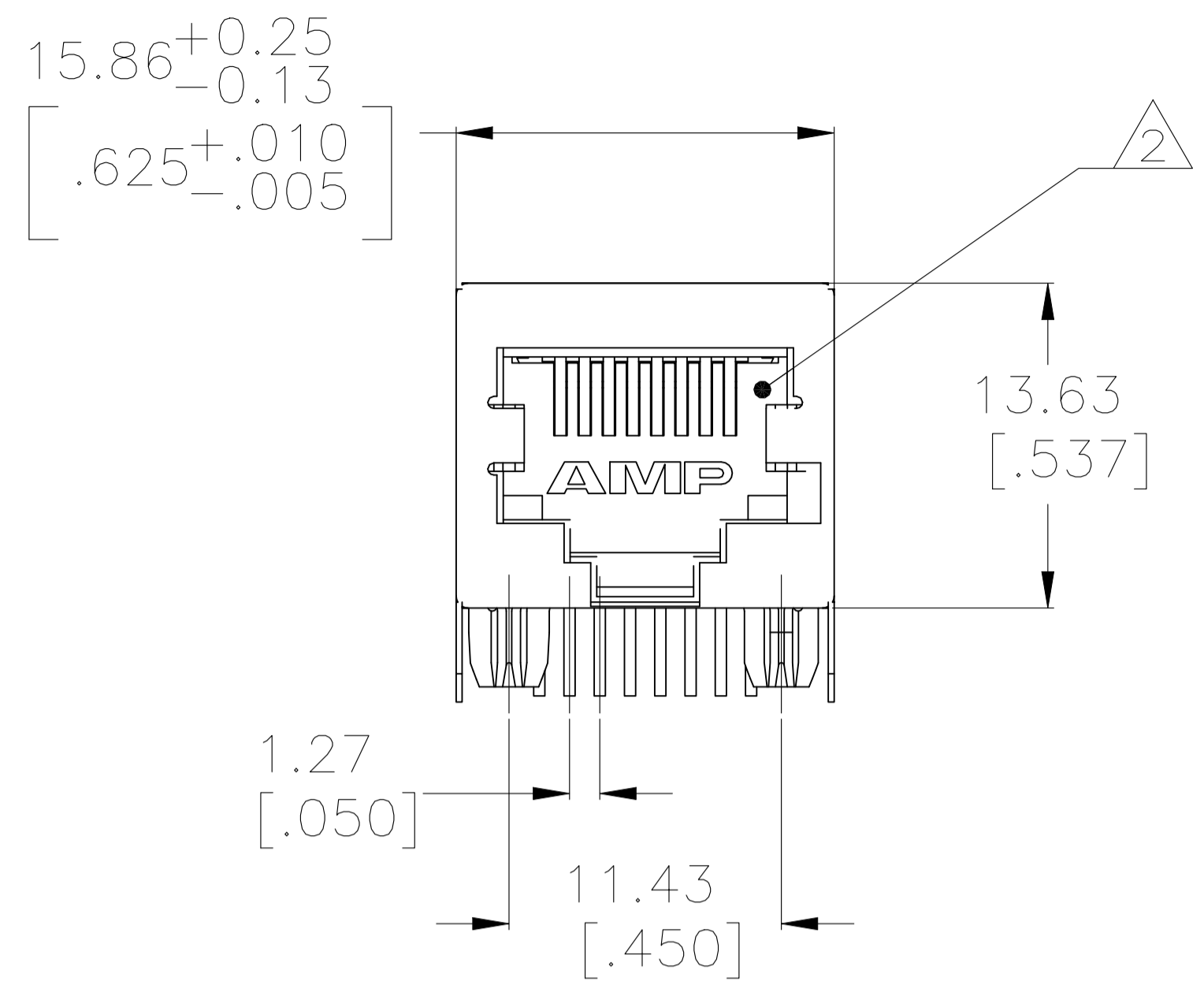
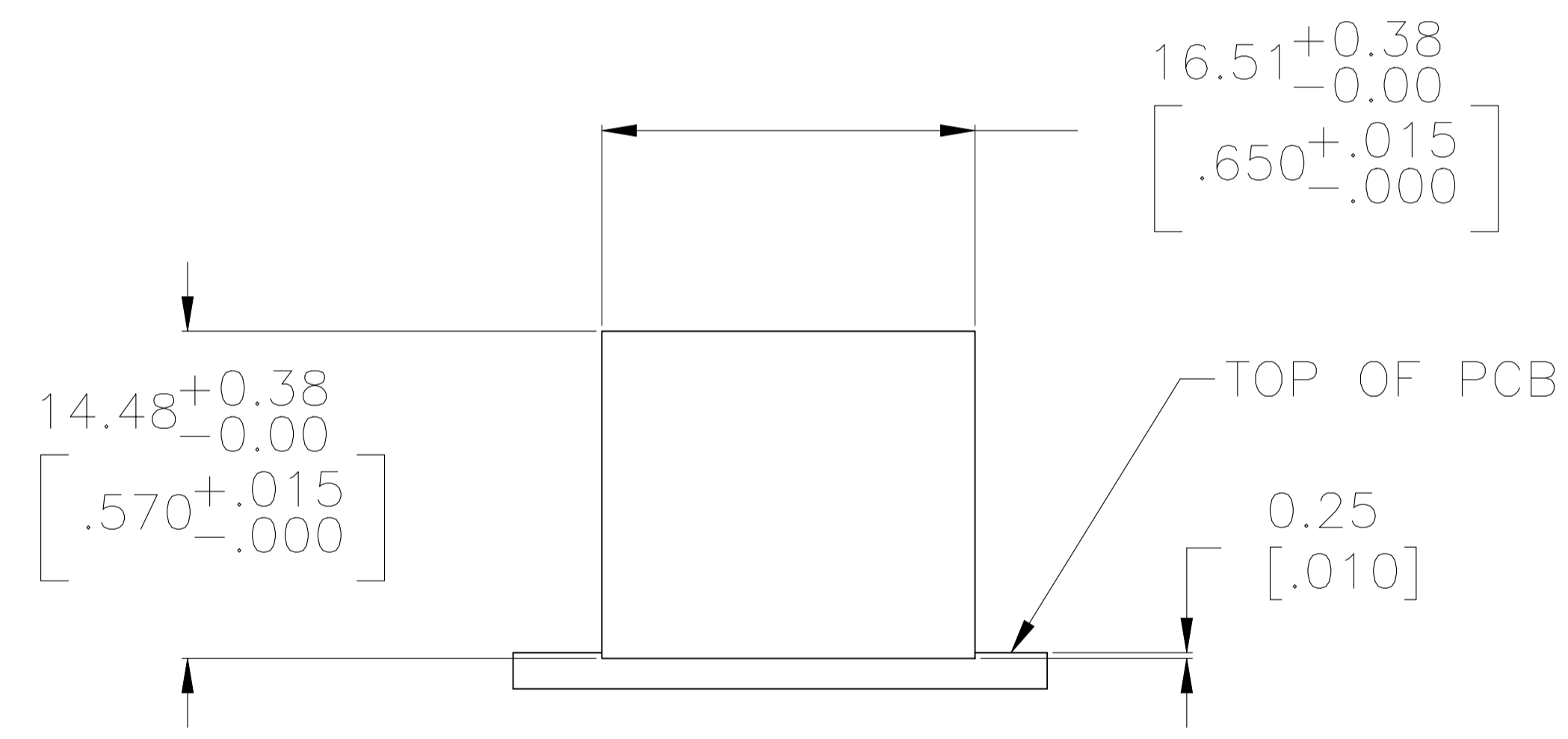
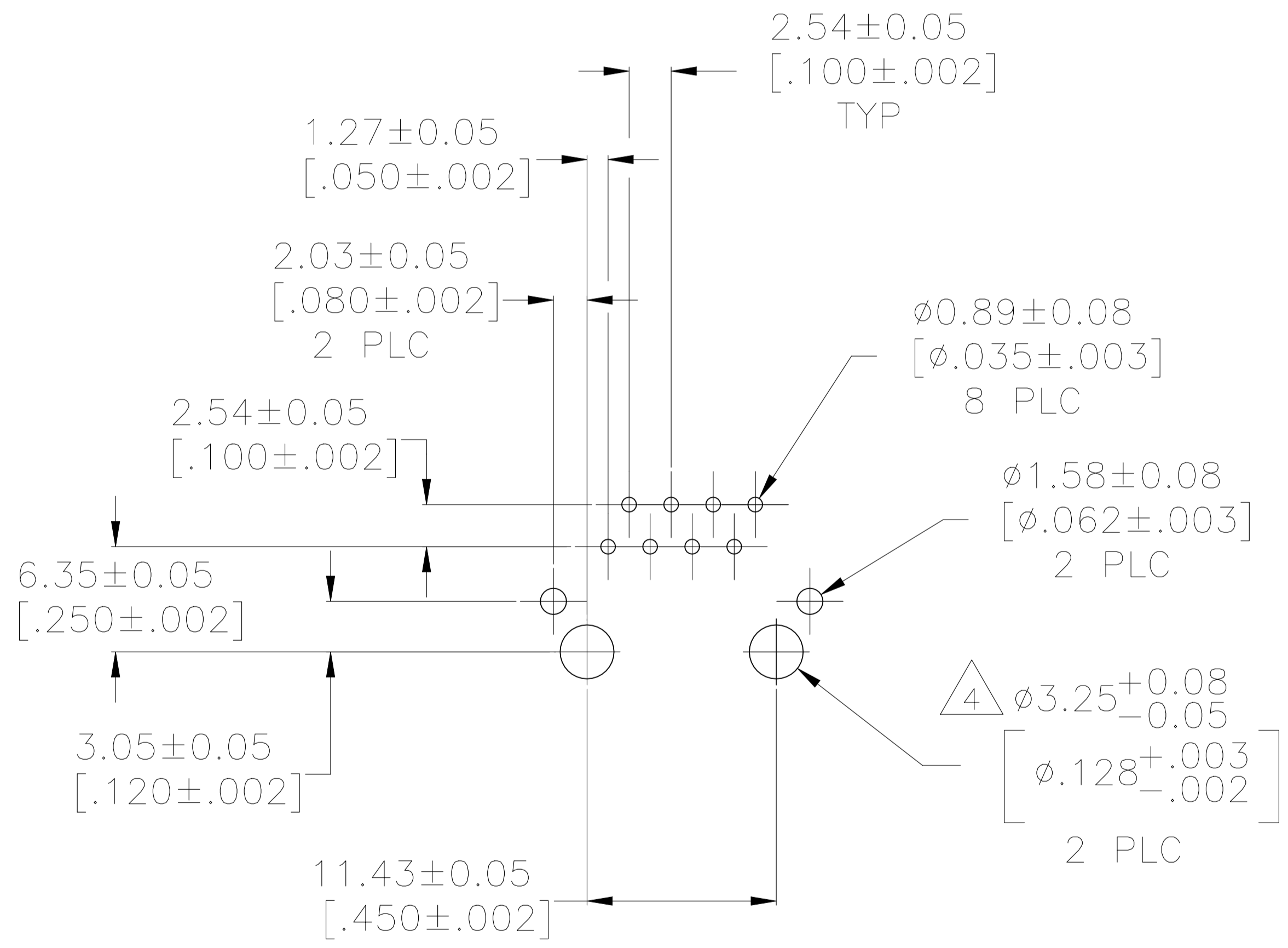


REVISIONS				
REV	DESCRIPTION	DATE	BY	APP'D
C1	ECR-19-014657	13DEC2020	RR	SZ



- MATERIAL: HOUSING - NYLON, COLOR: BLACK, UL 94V-0. OVERMOLDED TERMINAL ARRAY - PBT, BROWN. TERMINALS - 0.33[.013] THICK PHOS BRONZE PLATED WITH 1.27um[.000050] MINIMUM HARD GOLD IN LOCALIZED AREA AND 3.81um[.000150] MINIMUM TIN IN SOLDER AREA OVER 1.27um [0.000050] MINIMUM NICKEL UNDERPLATE. SHIELD - 0.254[.010] THICK COPPER ALLOY PLATED WITH 1.27um[.000050] MINIMUM NICKEL AND 2.03um[.000080] MINIMUM HOT TIN DIP ON PCB GROUND TABS.

- ② JACK CAVITY CONFORMS TO FCC RULES AND REGULATIONS, PART 68 SUBPART F.
- 3. ALL DIMENSIONS SHOWN ARE NOMINAL UNLESS OTHERWISE SPECIFIED.
- ④ USE #30 DRILL BIT OR 3.25mm DRILL BIT WHEN PRODUCING THESE PCB HOLES.
- 5. DIELECTRIC WITHSTANDING VOLTAGE BETWEEN SHIELD AND TERMINAL IS 1500 VAC



RECOMMENDED PANEL CUTOUT

RECOMMENDED PC BOARD LAYOUT
COMPONENT SIDE

TUBE	6116526-2
TRAY	6116526-1
PACKAGE	PART NUMBER

THIS DRAWING IS A CONTROLLED DOCUMENT.		DIN 13JUN2005 L. VARELA - DOCKS		TE Connectivity	
DIMENSIONS: mm [INCHES]		TOLERANCES UNLESS OTHERWISE SPECIFIED:		NAME	
		0 PLC	± -	S. FLICKINGER	
		1 PLC	± -	13JUN2005	
		2 PLC	± 0.25[.01]	PRODUCT SPEC	
		3 PLC	± 0.13[.005]	108-1163-2	
MATERIAL SEE NOTE 1		FINISH SEE NOTE 1		APPLICATION SPEC	
WEIGHT 0.000000		SIZE 114-2048		DRAWING NO A1 00779	
CUSTOMER DRAWING		SCALE 4:1		SHEET 1 of 1	

单击下面可查看定价，库存，交付和生命周期等信息

[>>TE Connectivity\(泰科\)](#)