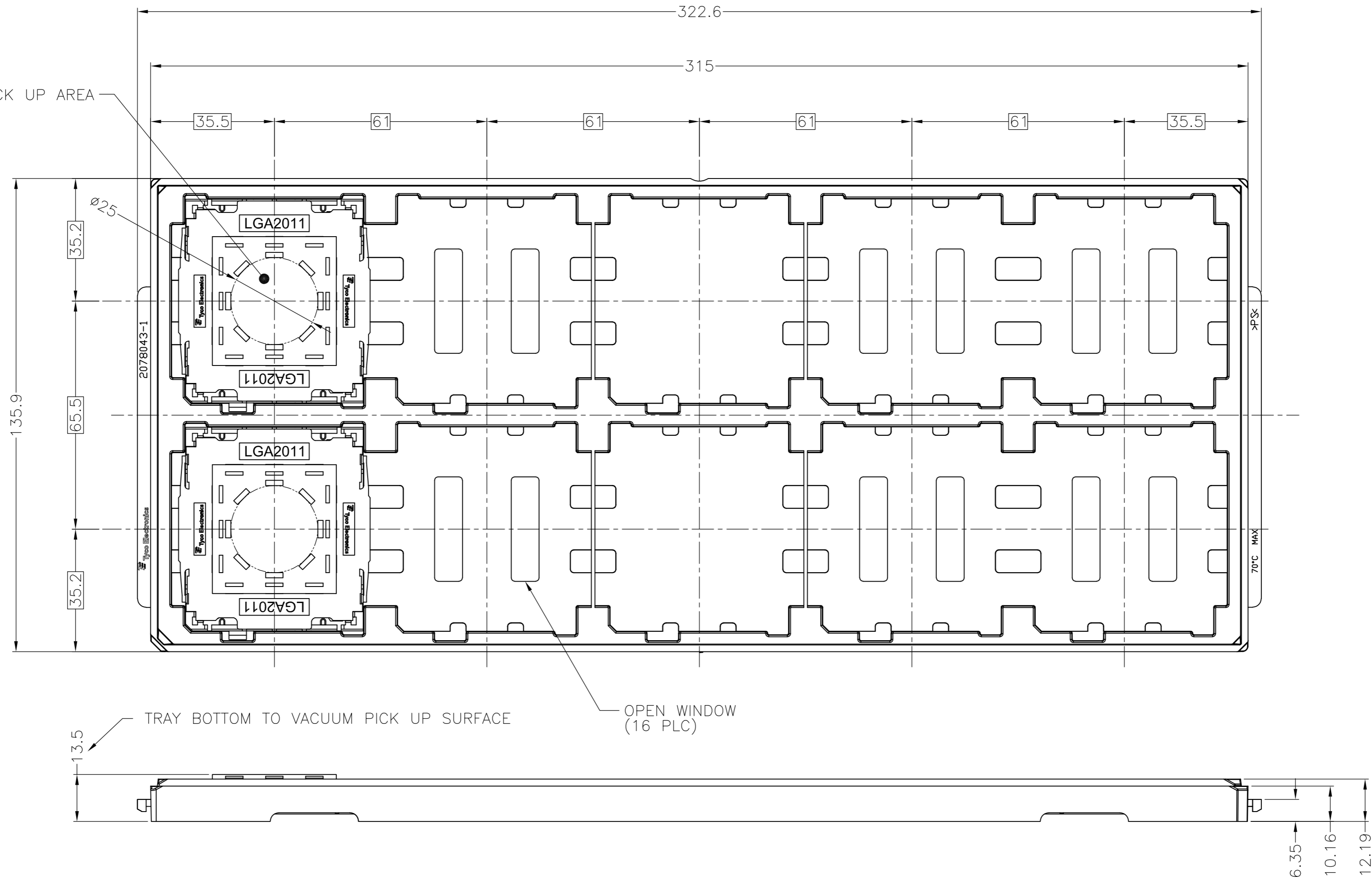


THIS DRAWING IS UNPUBLISHED. RELEASED FOR PUBLICATION APR, 2011.
 © COPYRIGHT 2011 By Tyco Electronics Japan G.K. ALL RIGHTS RESERVED.

LOC	DIST	REVISONS		
J	-	P	LTR	DESCRIPTION
		C1	REVISED	DATE DWN APVD
				25MAR'15 J.W C.W

VACUUM PICK UP AREA



1. MATERIAL

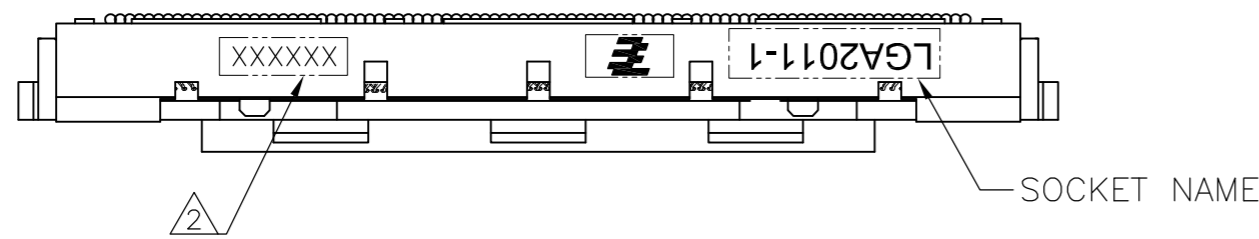
- ① HOUSING : HIGH TEMP, THERMO-PLASTIC, UL94V-0, BLACK
 - ② CONTACT : COPPER ALLOY
FINISH : Au PL. AT CONTACT AREA ON OVERALL OVER Ni UNDER PL. 0.00127 MIN.
 - ③ SOLDER BALL : Sn/Ag/Cu
 - ④ CAP : HIGH TEMP. THERMO-PLASTIC, UL94V-0, BLACK
- △ INDICATED DATE CODE ON THE HSG
3. PACKAGE TYPE: HARD TRAY, BLUE

2174988-2	LGA2011-1	0.76 um MIN Au PL
2174988-1	LGA2011-1	0.38 um MIN Au PL
PART NUMBER	SOCKET NAME	DESCRIPTION

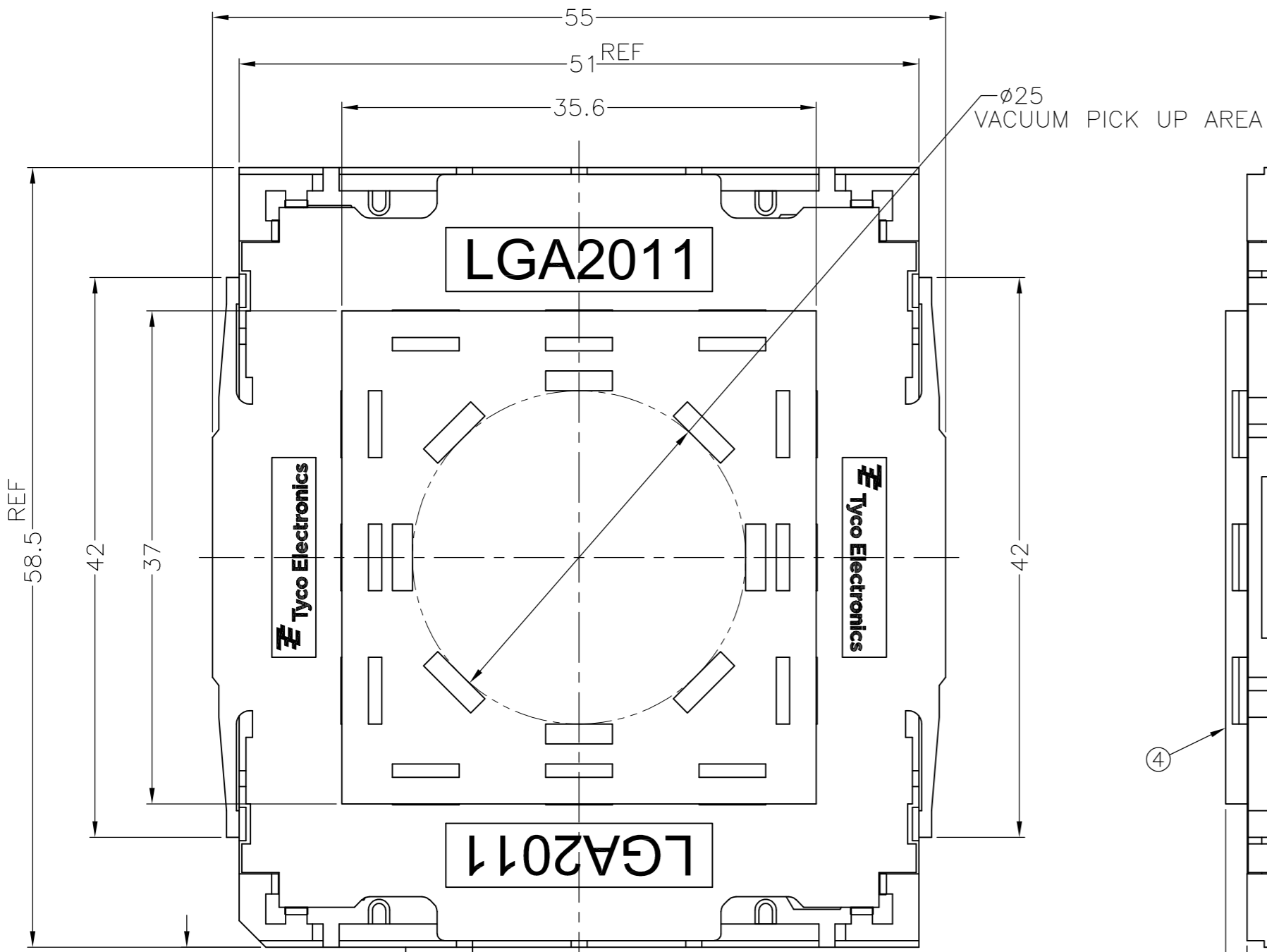
THIS DRAWING IS A CONTROLLED DOCUMENT.		DWN	21NOV2011	TE Connectivity	
DIMENSIONS: 単位: 純 mm		CHK	21NOV2011	NAME 名称	
TOLERANCES UNLESS OTHERWISE SPECIFIED: 一般公差		APVD	21NOV2011	SOCKET ASSY LGA2011-1	
① PLG ± ±0.5		PRODUCT SPEC		SIZE	
② PLG ± ±3°		APPLICATION SPEC		CAGE CODE	
③ PLG ± ±		取付適用規格		DRAWING NO 番号	
④ PLG ± ±		114-5474		SCALE	
FINISH 仕上		WEIGHT 19.1g		SHEET 1 OF 4	
MATERIAL 材料		CUSTOMER DRAWING		REV C1	

THIS DRAWING IS UNPUBLISHED. RELEASED FOR PUBLICATION APR , 2011.
 © COPYRIGHT 2011 By Tyco Electronics Japan G.K. ALL RIGHTS RESERVED.

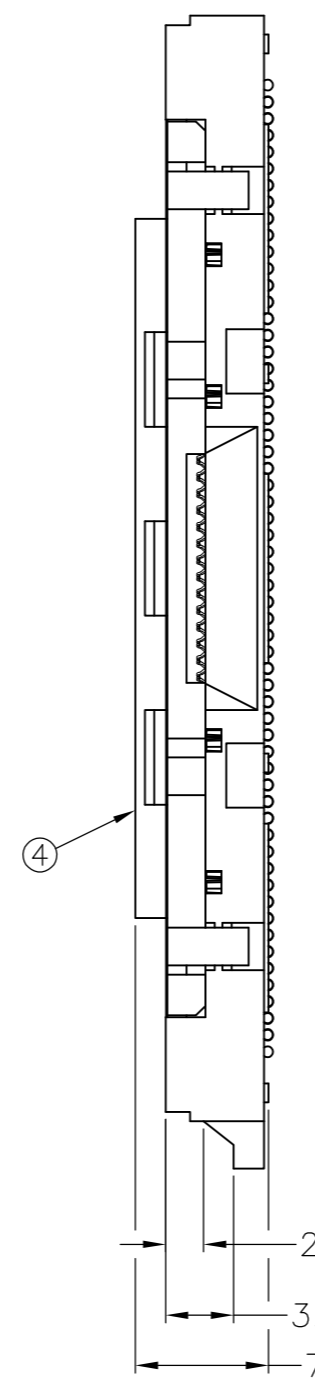
LOC	DIST	REVISIONS					
J	-	P	LTR	DESCRIPTION	DATE	DWN	APVD
		-	-	SEE SHEET 1	-	-	-



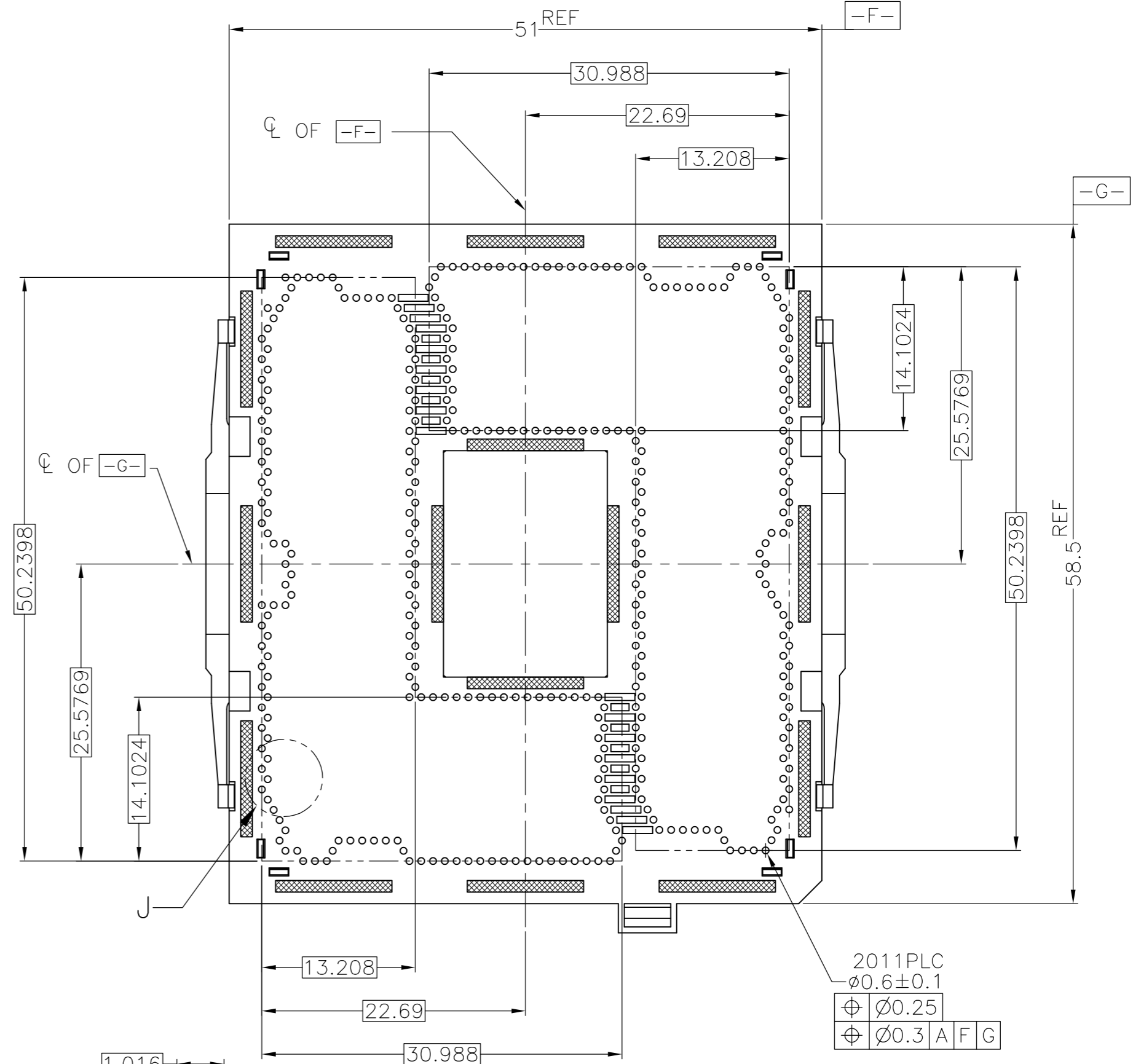
SOCKET NAME



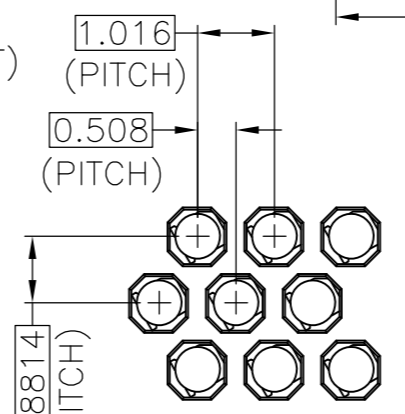
∅25 VACUUM PICK UP AREA



0.15~0.375 (STAND-OFF GAP BEFORE REFLOW)
 0.2 (SOLDER BALL COPLANARITY)



2011PLC
 ∅0.6±0.1
 ⊕ ∅0.25
 ⊕ ∅0.3 | A F G

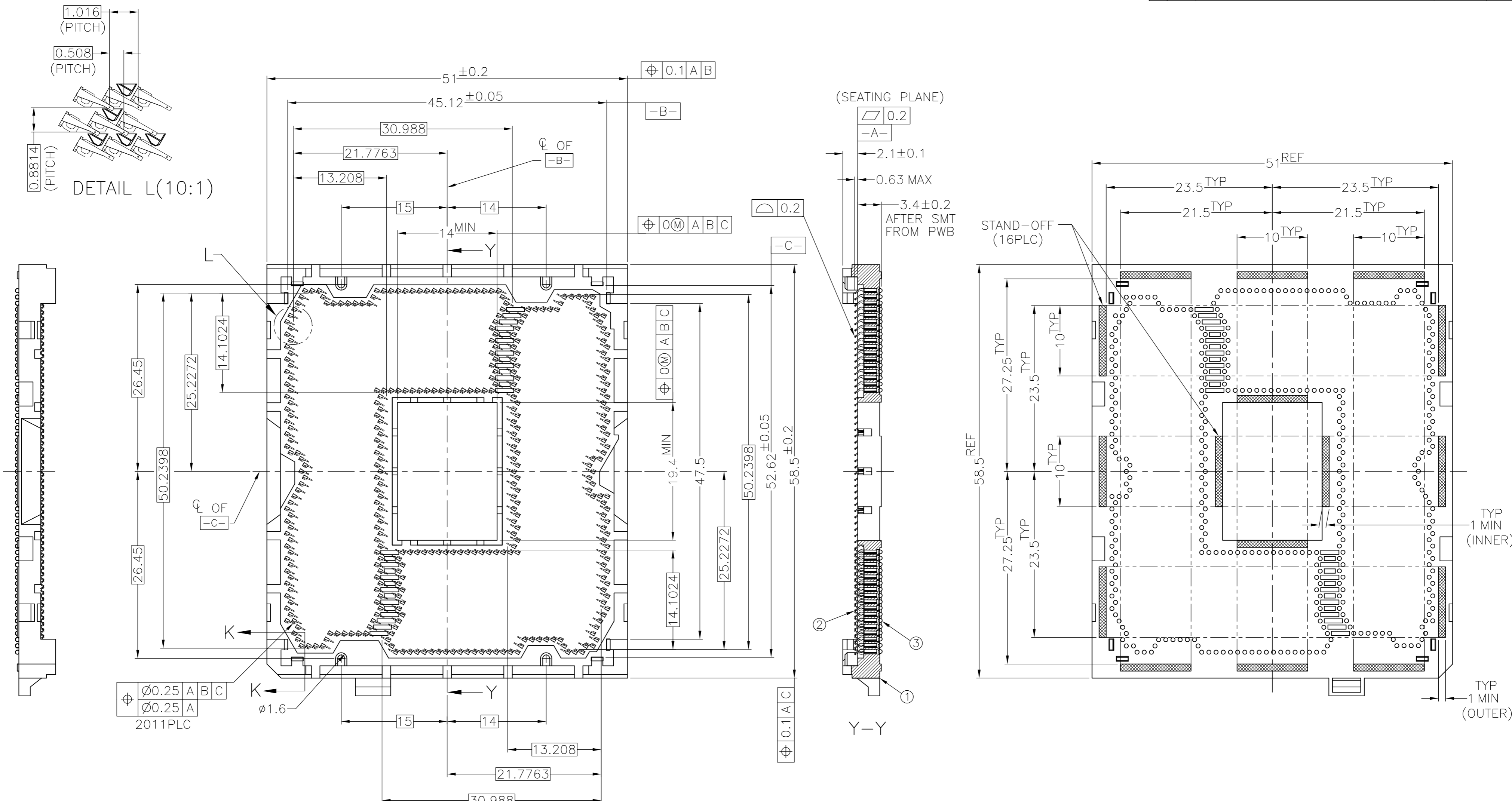


DETAIL J(10:1)

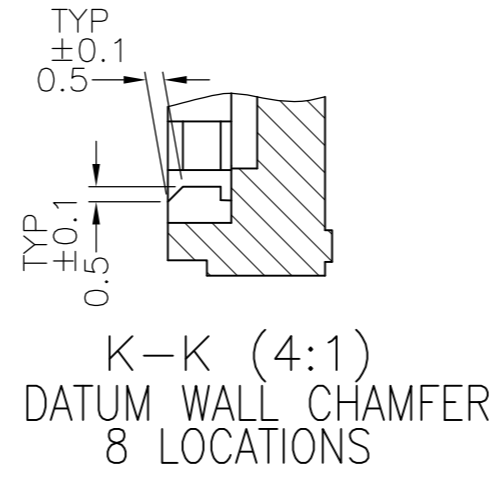
THIS DRAWING IS A CONTROLLED DOCUMENT.		DWN	TE Connectivity	
DIMENSIONS: 単位: 寸 mm		CHK	SOCKET ASSY LGA2011-1	
TOLERANCES UNLESS OTHERWISE SPECIFIED: 一般公差		APVD	SIZE	CAGE CODE
∅ PLC	±0.3	PRODUCT SPEC	A2	00779
1 PLC	±3'	APPLICATION SPEC	DRAWING NO	C=2174988
2 PLC		取付適用規格	SCALE	NTS
3 PLC		WEIGHT	SHEET	2 OF 4
4 PLC		CUSTOMER DRAWING	REV	C1
MATERIAL	仕上	RESTRICTED TO		

THIS DRAWING IS UNPUBLISHED. RELEASED FOR PUBLICATION APR, 2011.
 © COPYRIGHT 2011 By Tyco Electronics Japan G.K. ALL RIGHTS RESERVED.

LOC	DIST	REVISIONS				
		P	LTR	DATE	DWN	APVD
J	-	-	-	SEE SHEET 1	-	-



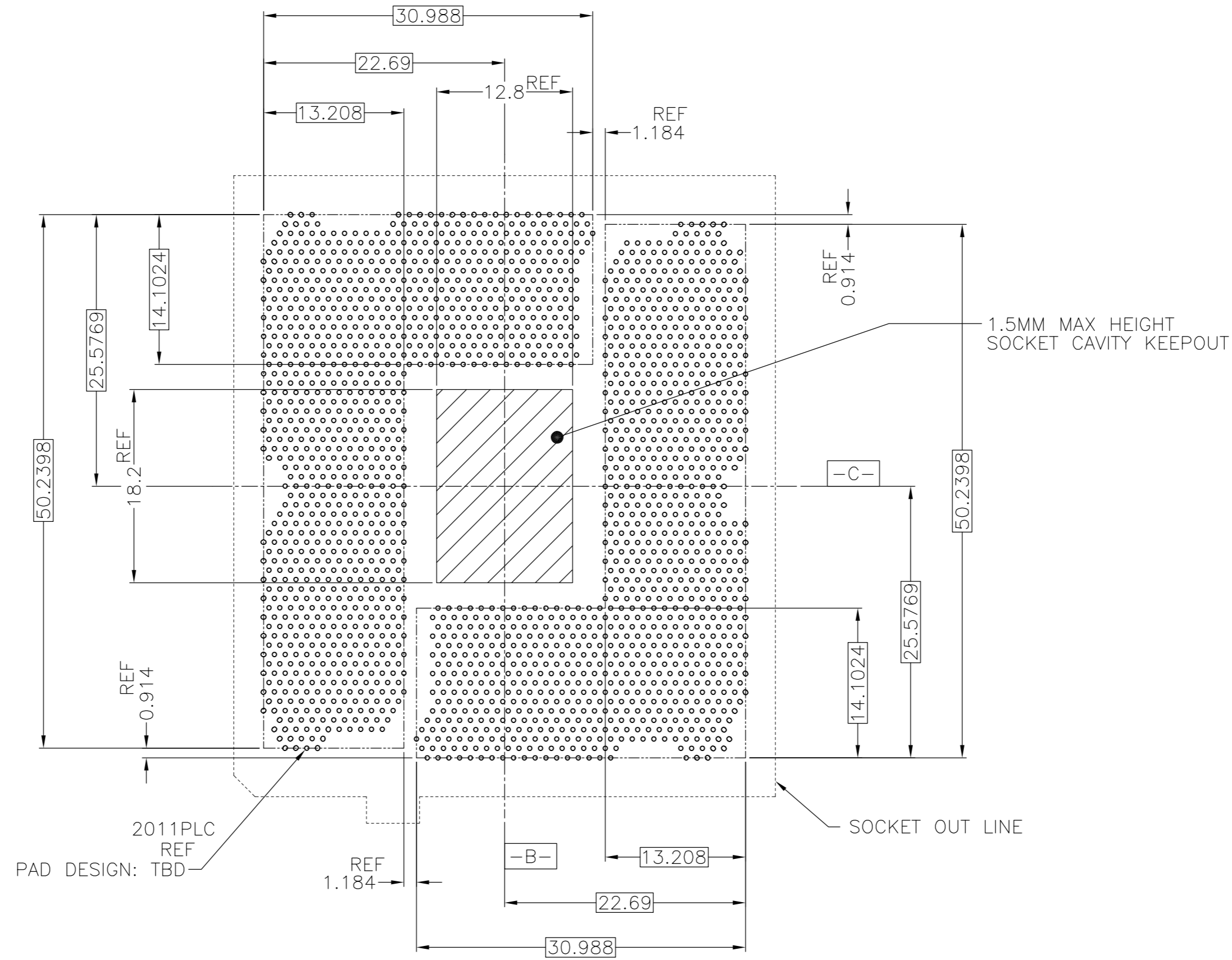
THESE VIEWS DON'T SHOW CAP



THIS DRAWING IS A CONTROLLED DOCUMENT.		DWN	-	TE Connectivity	
DIMENSIONS: 単位: 寸 mm		CHK	-	NAME 名称	
TOLERANCES UNLESS OTHERWISE SPECIFIED: 一般公差		APVD	-	SOCKET ASSY LGA2011-1	
φ PLG ±0.3		PRODUCT SPEC	-	SIZE	CAGE CODE
+ PLG ±0.3		APPLICATION SPEC	-	A2	00779
2 PLG ±0.3		取付適用規格	-	DRAWING NO	REV
3 PLG ±0.3		WEIGHT	-	C=2174988	-
4 PLG ±0.3		MATERIAL 材料	-	SCALE	SHEET
ANGLES ±0.3		FINISH 仕上	-	NTS	3 OF 4
CUSTOMER DRAWING		RESTRICTED TO		REV C1	

THIS DRAWING IS UNPUBLISHED. RELEASED FOR PUBLICATION APR , 2011.
 © COPYRIGHT 2011 By Tyco Electronics Japan G.K. ALL RIGHTS RESERVED.

LOC		DIST		REVISIONS					
J		-		P	LTR	DESCRIPTION	DATE	DWN	APVD
				-	-	SEE SHEET 1	-	-	-



REFERENCE PATTERN LAYOUT

FOR GENERAL BOARD DESIGN, PLEASE REFER TO THE THERMAL AND MECHANICAL DESIGN GUIDELINES(TMDG) PROVIDED BY INTEL CORPORATION

THIS DRAWING IS A CONTROLLED DOCUMENT.		DWN	-				
DIMENSIONS: 単位: 寸 mm		CHK	-				
TOLERANCES UNLESS OTHERWISE SPECIFIED: 一般公差		APVD	-	NAME 名称			
0-PLC ± ±0.3 1-PLC ± ±3' 2-PLC ± ±3' 3-PLC ± ±3' 4-PLC ± ±3' ANGLES ± ±		PRODUCT SPEC 製品規格		SOCKET ASSY LGA2011-1			
MATERIAL 材料		APPLICATION SPEC 取付適用規格		SIZE	CAGE CODE	DRAWING NO 番号	RESTRICTED TO
FINISH 仕上		WEIGHT		A2	00779	C=2174988	-
CUSTOMER DRAWING				SCALE 尺度	NTS	SHEET 4 OF 4	REV C1

单击下面可查看定价，库存，交付和生命周期等信息

[>>TE Connectivity\(泰科\)](#)