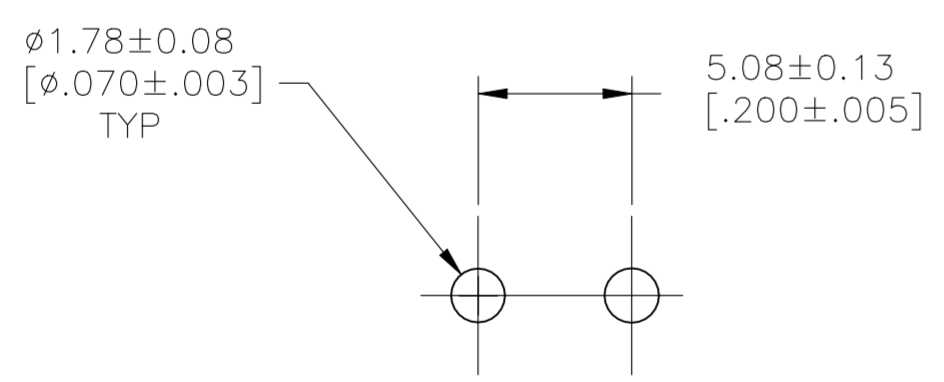
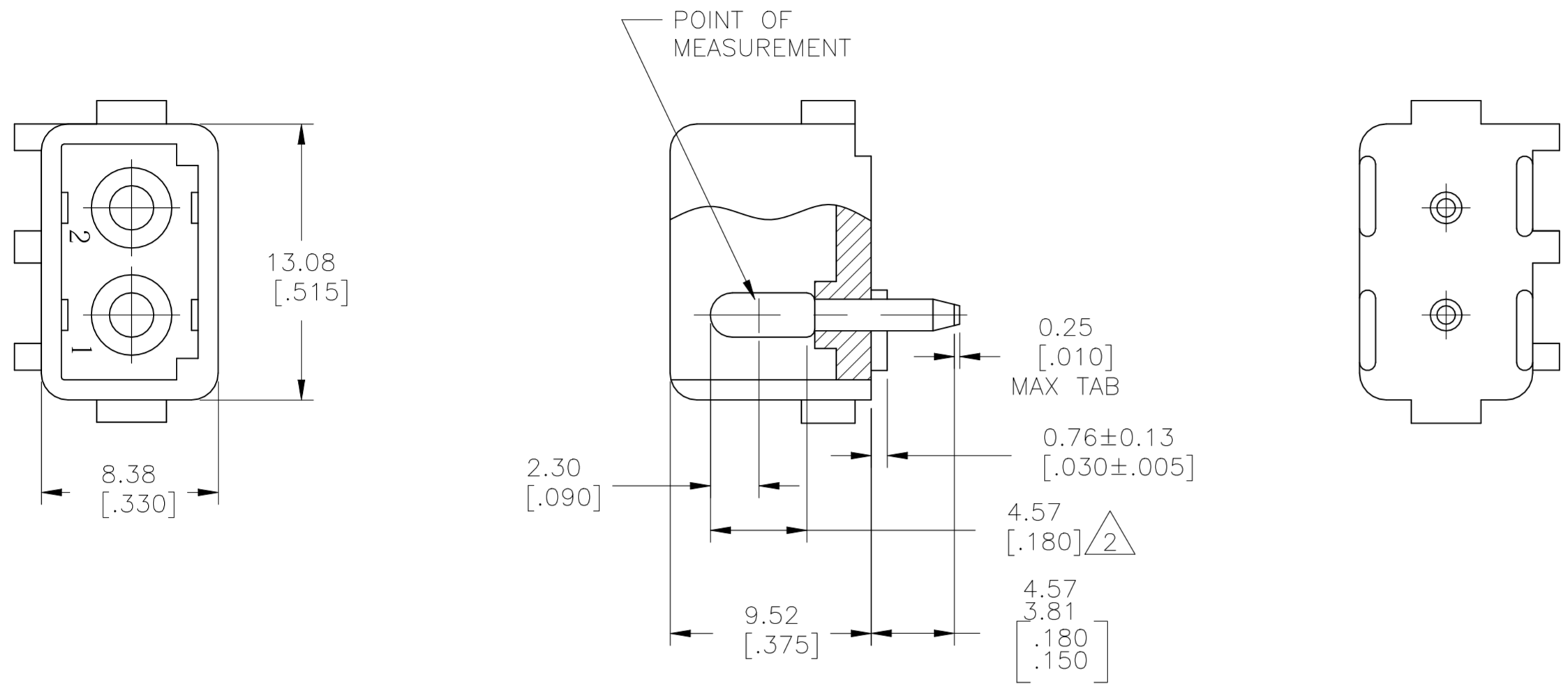


THIS DRAWING IS UNPUBLISHED. RELEASED FOR PUBLICATION  
 © COPYRIGHT - By - ALL RIGHTS RESERVED.

REVISIONS				
P	LTR	DESCRIPTION	DATE	APVD
S4		REVISED PER ECR-21-117185	25OCT2021	PJ VS

- PARTS COMPLY WITH TE SOLDERABILITY SPEC NO. 109-11-3.
- CONTACT IS PLATED OVERALL WITH 0.00127[.000050] NICKEL THEN 0.000762[.000030] GOLD OVER CONTACT LENGTH INDICATED AND TIN PLATED ON SOLDER TAIL END.
- DIMENSION SHOWN REPRESENT PRODUCT IN DRY CONDITION. ADDITIONAL 2% GROWTH DUE TO END USE LOCATION MOISTURE ABSORPTION MAY OCCUR AND SHOULD BE ACCOUNTED FOR.



RECOMMENDED LAYOUT FOR  
 1.57[.062] THICK P.C. BOARD

OBSOLETE	COPPER ALLOY-PRE TIN	NYLON, NATURAL UL94V-0	350209-3
	COPPER ALLOY-GOLD $\triangle 2$	NYLON, NATURAL UL94V-2	350209-2
	COPPER ALLOY-PRE TIN	NYLON, NATURAL UL94V-2	350209-1
	PIN MAT'L & COLOR	HSG, MAT'L & COLOR	ASS'Y NUMBER

THIS DRAWING IS A CONTROLLED DOCUMENT.		DWN RAGHAVENDRA 18MAR09	<b>STE</b> TE Connectivity	
DIMENSIONS: mm [INCHES]		CHK SARVER MICHAEL 18MAR09		
TOLERANCES UNLESS OTHERWISE SPECIFIED:		APVD SARVER MICHAEL 18MAR09	NAME 2 CIRCUIT MATE-N-LOK P.C. BOARD HEADER	
0 PLC ± -		PRODUCT SPEC	SIZE CAGE CODE DRAWING NO RESTRICTED TO	
1 PLC ± -		APPLICATION SPEC	WEIGHT 0.000000 A2 00779 C=350209	
2 PLC ± -			SCALE 4:1 SHEET 1 OF 1 REV S4	
3 PLC ± 0.38[.015]				
4 PLC ± -				
ANGLES ± 1°				
MATERIAL SEE TABLE		FINISH SEE TABLE		
		CUSTOMER DRAWING		

单击下面可查看定价，库存，交付和生命周期等信息

[>>TE Connectivity\(泰科\)](#)