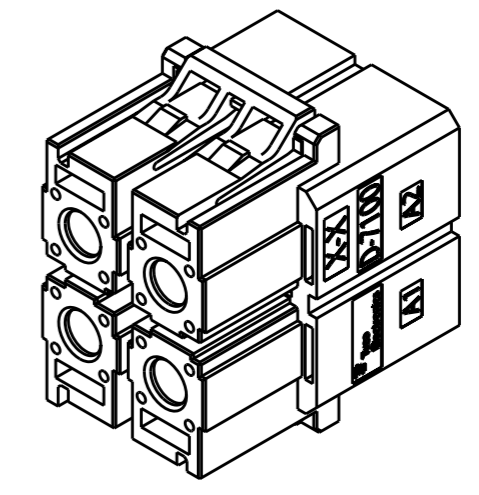
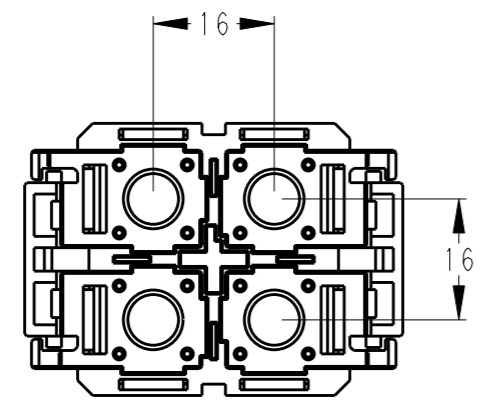


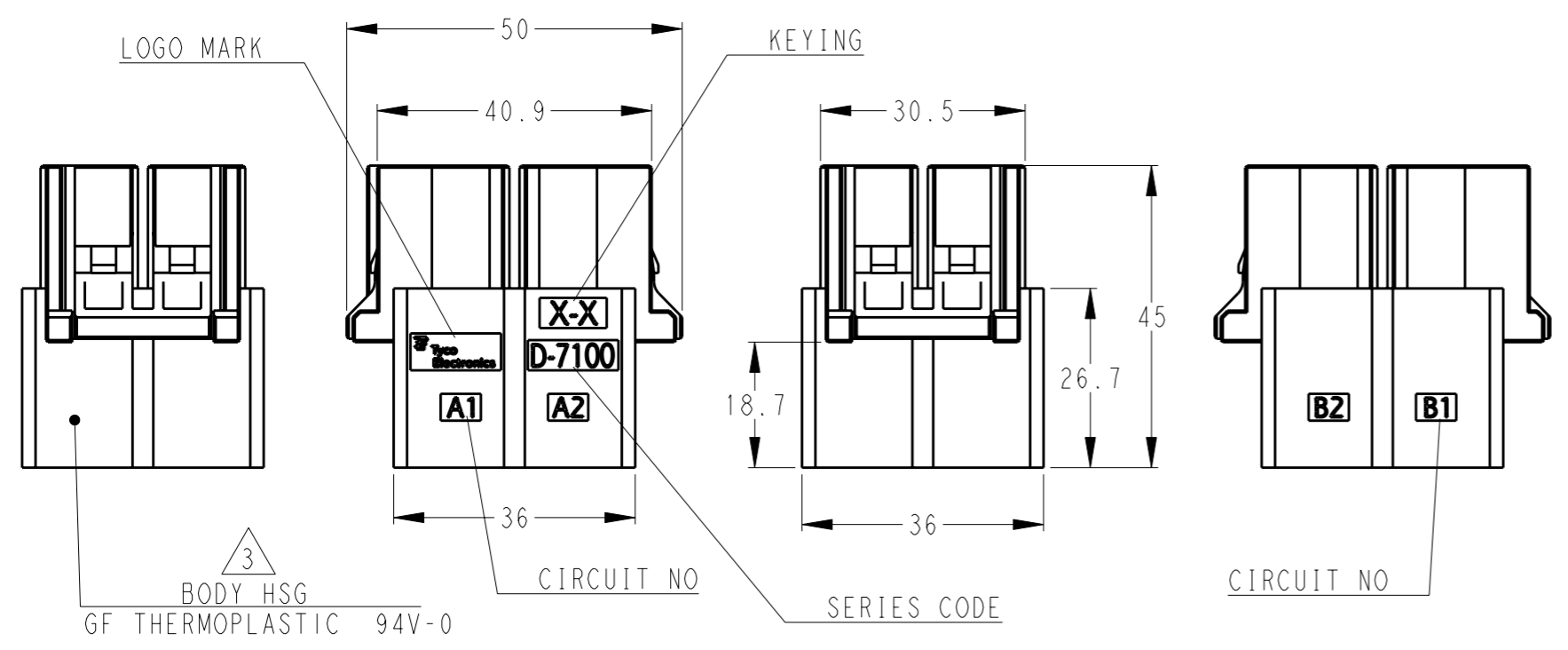
THIS DRAWING IS UNPUBLISHED. RELEASED FOR PUBLICATION 20
 © COPYRIGHT 20 BY TYCO ELECTRONICS CORPORATION. ALL RIGHTS RESERVED.

LOC	DIST	REVISIONS					
		P	LTR	DESCRIPTION	DATE	DWN	APVD
J	-		B	REVISED PER ECR-10-025568	14DEC2010	M.M	N.Y

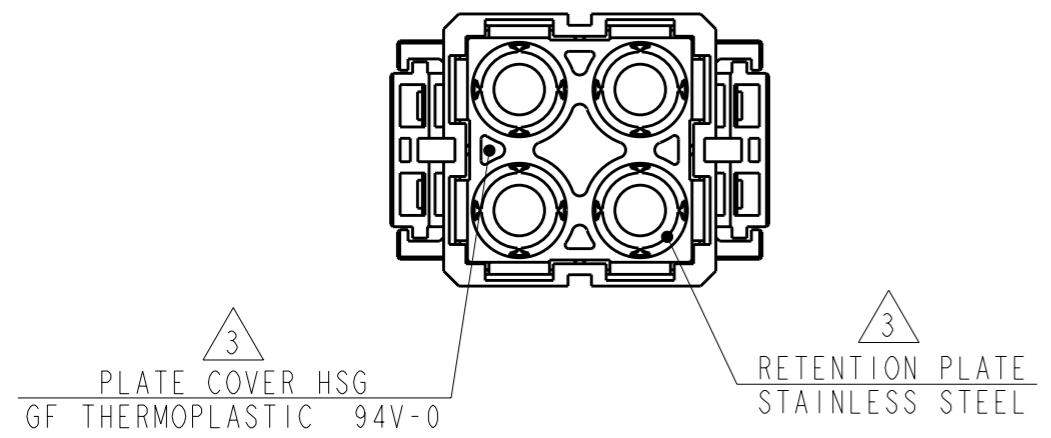
AS SHOWN : 2134055-1



APPLICATED SOCKET CONTACTS
1871132-*



1. THE SHAPE, SIZE AND POSITION OF THE CHARACTER SHOW THE OUTLINE. THEY DON'T SHOW DETAILS.
 2. CONTACT OUR SALES ABOUT ANOTHER KEYING PRODUCT.
- 3 MATERIAL.



THIS DRAWING IS A CONTROLLED DOCUMENT FOR TYCO ELECTRONICS CORPORATION. IT IS SUBJECT TO CHANGE AND THE CONTROLLING ENGINEERING ORGANIZATION SHOULD BE CONTACTED FOR THE LATEST REVISION.		DWN	M. MAEBASHI	31 JUL 2010	 Tyco Electronics Corporation Kawasaki, Japan
DIMENSIONS: mm		CHK	N. YAMASAKI	31 JUL 2010	
TOLERANCES UNLESS OTHERWISE SPECIFIED: ±1.0, ±5°		APVD	N. YAMASAKI	31 JUL 2010	
0 PLC ± 1 PLC ± 2 PLC ± 3 PLC ± 4 PLC ± ANGLES ±		PRODUCT SPEC	108-78470	NAME	
MATERIAL 3		FINISH	NONE	APPLICATION SPEC	114-5452
		WEIGHT	-	SIZE	A3
		CUSTOMER DRAWING		CAGE CODE	00779
				DRAWING NO	C-2134055
				RESTRICTED TO	-
				SCALE	1:1
				SHEET	1 OF 1
				REV	B

单击下面可查看定价，库存，交付和生命周期等信息

[>>TE Connectivity\(泰科\)](#)