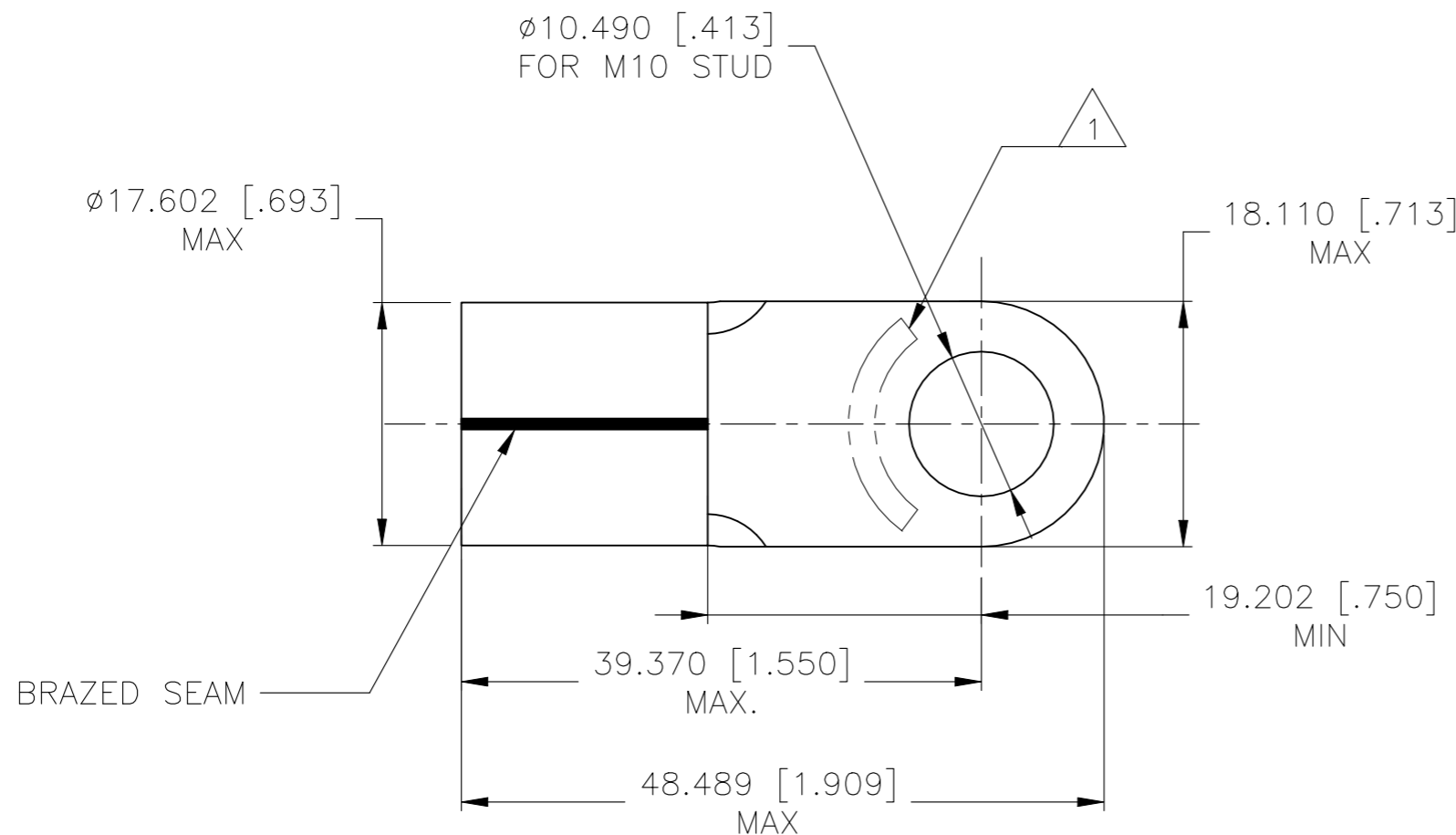
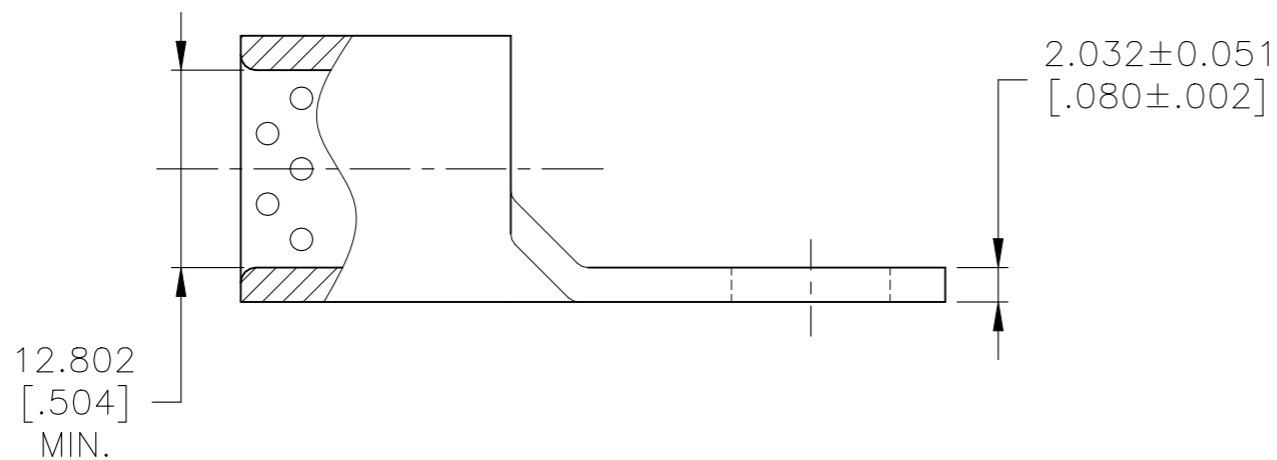


REVISIONS

P	LTR	DESCRIPTION	DATE	DWN	APVD
D1		ECO-20-004274	17MAR2021	RK	DR



- 1 STAMP: AMP 2/0 W* APPROX AS SHOWN.
- 2 MATERIAL: COPPER PER ASTM B152.
- 3 FINISH: NICKEL PLATE 0.00762 [.000300] MIN EXT THK PER SAE AMS QQ-N-290.



50	LOOSE PIECE	134755-2
QTY	PACKAGE TYPE	PART NUMBER

MAX. TEMP: 343°C [649°F]	THIS DRAWING IS A CONTROLLED DOCUMENT.		DWN A.DUPOUIS 28/01/91	TE Connectivity TERMINAL, RING TONGUE, STRATO-THERM, HEAT RESISTANT, WIRE SIZE: 2/0 AWG			
	VOLTAGE RATING: N/A	DIMENSIONS: mm [INCHES]	TOLERANCES UNLESS OTHERWISE SPECIFIED:				CHK G.ROBERT 04-MAR-97
CIRCULAR MIL AREA: 60.6-76.3 MM ² [119,500-150,500] SOLID OR STRANDED	MATERIAL		0 PLC ± -	PRODUCT SPEC	NAME	RESTRICTED TO	
			1 PLC ± -	114-2162	SIZE		CAGE CODE
			2 PLC ± -	APPLICATION SPEC	A3	00779	C=134755
			3 PLC ± 0.127[.005]	WEIGHT	SCALE 2:1		SHEET 1 OF 1
			4 PLC ± -	CUSTOMER DRAWING			REV D1
			ANGLES ± -				
			FINISH				

单击下面可查看定价，库存，交付和生命周期等信息

[>>TE Connectivity\(泰科\)](#)