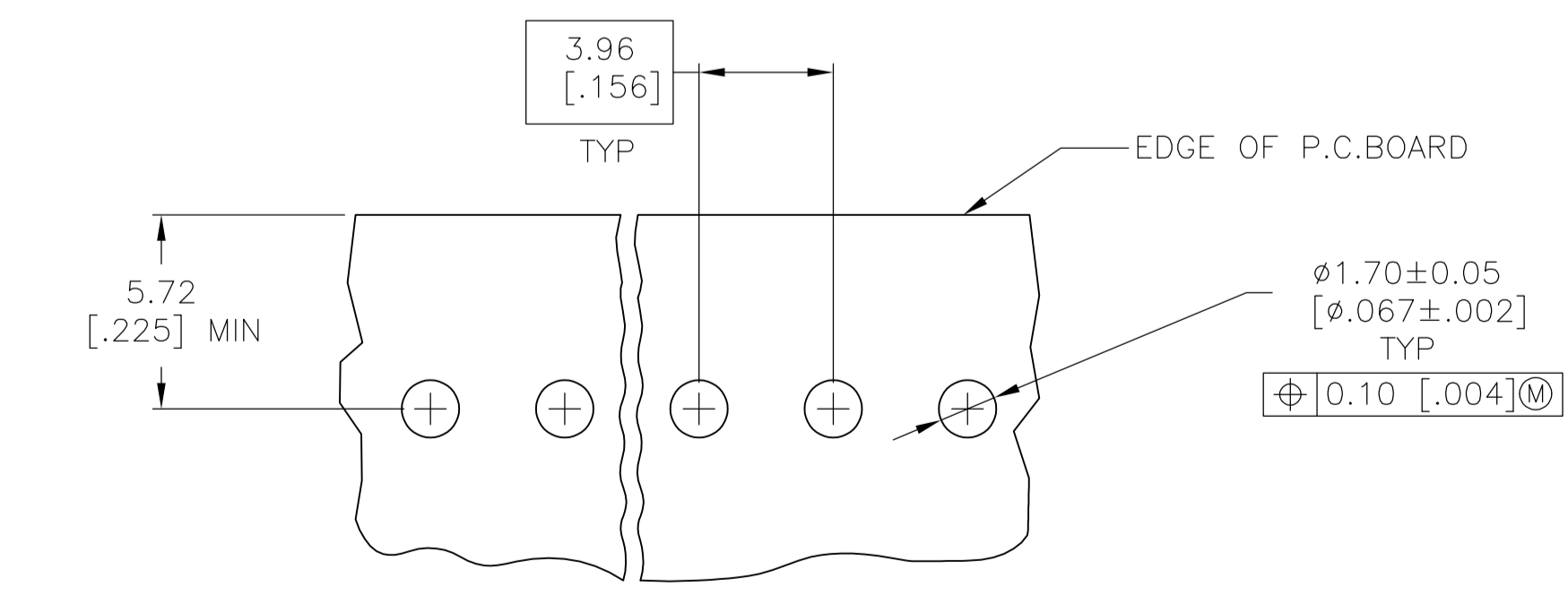
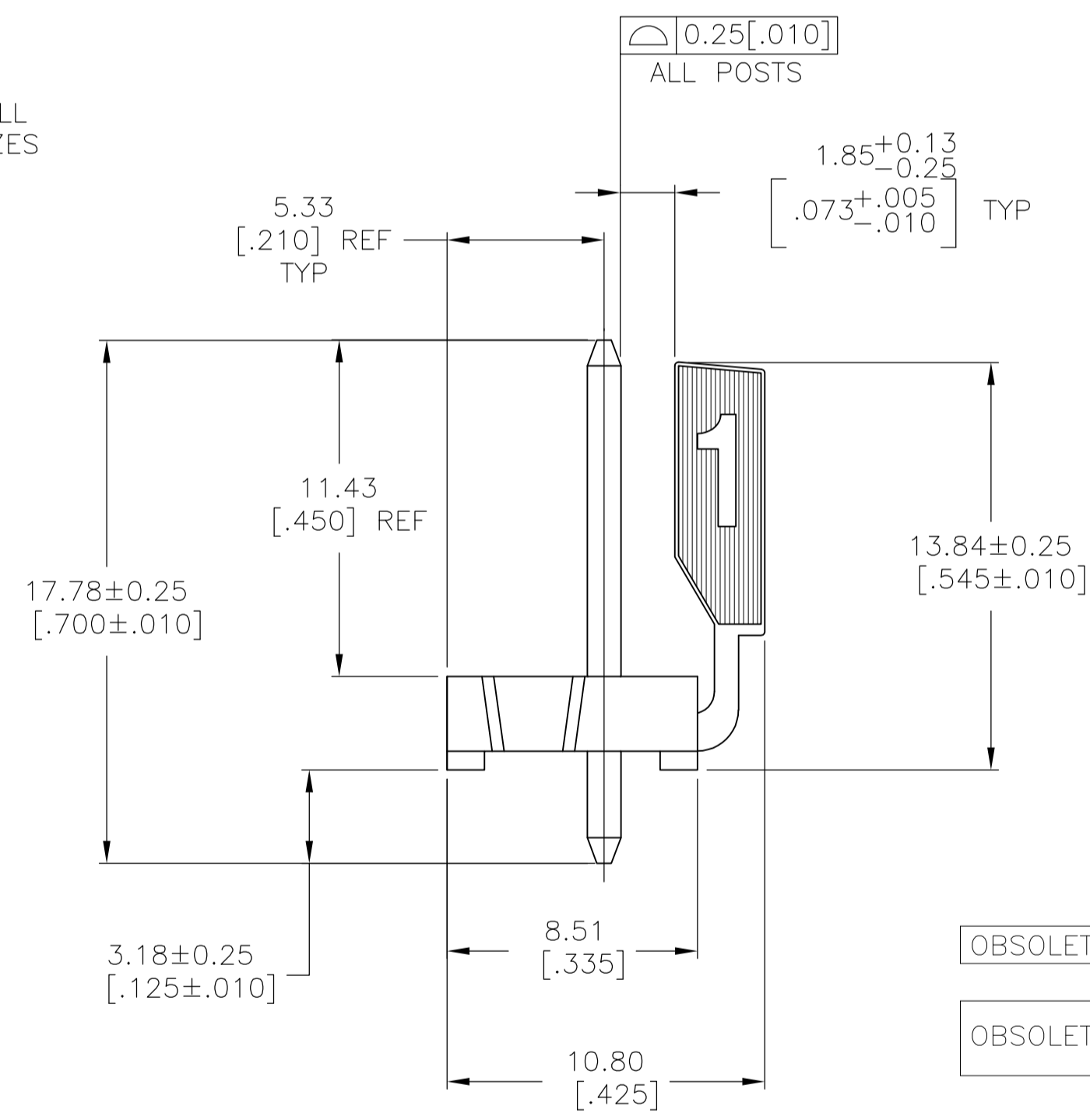
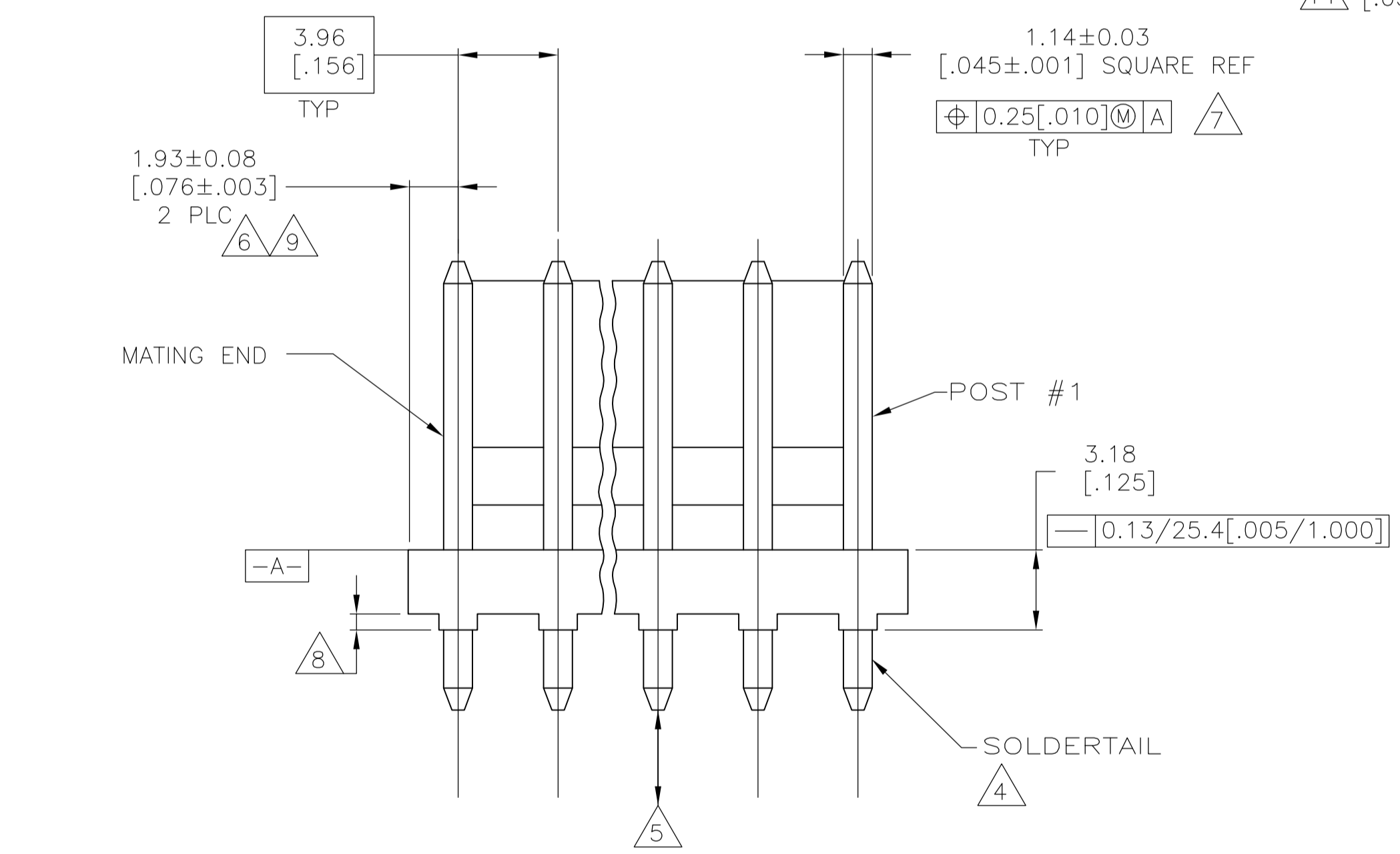


- 1 MATERIAL:  
HOUSING: THERMOPLASTIC POLYESTER, GLASS FILLED, DR-48, UL94V-O.  
POST: COPPER ALLOY
- 2 FINISH  
HOUSING: BLACK  
POST: BRIGHT TIN-LEAD (93/7) PLATE, 0.00380-0.00880 [0.000150-0.000350] THK OVER NICKEL UNDERPLATE, 0.00130 [0.000050] MIN THK.  
OR MATTE TIN PLATE 0.00380 (0.000150)-0.00880 (0.000350) OVER NICKEL UNDERPLATE 0.00130 (0.000050) MIN THICK IF LEAD FREE.
- 3 UL MARKING MAY NOT APPEAR ON THE 3 POSITION SIZE.
- 4 POST SOLDER DETAILS COMPLY WITH AMP SOLDERABILITY SPEC 109-11-2.
- 5 POST WITHSTANDS 13.34N [3 LB] MIN AXIAL FORCE IN EITHER DIRECTION WITHOUT DISLODGING.
- 6 APPLIES AT -A-
- 7 APPLIES WHEN THE HEADER IS STRAIGHT.
- 8 PLASTIC PROJECTIONS PERMITTED IN THIS ZONE.
- 9 COORDINATE DIMENSIONS APPLIES FROM THE CENTER OF THE ACTUAL FEATURE.
- 10 SOLDER SIDE OF BOARD IS SHOWN.
- 11 DIMENSIONS IN BRACKETS ARE IN INCHES.
- 12 ALL POSITION SIZES HAVE THE BACKWALL NOTCHED ON BOTH ENDS AS SHOWN. THE 2 THRU 5 POSITION SIZES HAVE SOLID BACKWALLS. POSITION SIZES 6 AND ABOVE HAVE AN INTERRUPTED BACKWALL AT VARIOUS LOCATIONS (SEE TABLE FOR INTERRUPTION(S) LOCATIONS).
- 13 EDGE OF POLARIZING LOCK WALL TO BE IN LINE WITH CENTERLINE OF ADJACENT POST WITHIN ±0.13 [0.005].
- 14 NOTCH SHOWN MAY OR MAY NOT APPEAR.



FINISH	BACKWALL INTERRUPTION(S) BETWEEN POST	L	NO. OF POSITIONS	PART NO	
OBSOLETE	TIN	3&4, 7&8	39.50 [1.555]	10	-4-644867-0
	TIN	3&4, 6&7	35.53 [1.399]	9	3-644867-9
OBSOLETE	TIN	4&5	31.57 [1.243]	8	-3-644867-8
	TIN	4&5	27.61 [1.087]	7	-3-644867-7
	TIN	3&4	23.65 [0.931]	6	3-644867-6
	TIN	NONE	19.69 [0.775]	5	3-644867-5
	TIN	NONE	15.72 [0.619]	4	3-644867-4
	TIN	NONE	11.76 [0.463]	3	3-644867-3
SUPERSEDED	TIN-LEAD	3&4, 7&8	39.50 [1.555]	10	-1-644867-0
	TIN-LEAD	3&4, 6&7	35.53 [1.399]	9	-644867-9
	TIN-LEAD	4&5	31.57 [1.243]	8	-644867-8
	TIN-LEAD	4&5	27.61 [1.087]	7	-644867-7
	TIN-LEAD	3&4	23.65 [0.931]	6	-644867-6
	TIN-LEAD	NONE	19.69 [0.775]	5	-644867-5
	TIN-LEAD	NONE	15.72 [0.619]	4	-644867-4
	TIN-LEAD	NONE	11.76 [0.463]	3	-644867-3

RECOMMENDED MOUNTING HOLE PATTERN FOR 1.57 [0.062] THICK P.C. BOARD

THIS DRAWING IS A CONTROLLED DOCUMENT.

DIMENSIONS: mm [INCHES]	TOLERANCES UNLESS OTHERWISE SPECIFIED:	APPROVED: D. CLARK	DATE: 07/NOV/96	NAME: MTA-156 HEADER ASSEMBLY, POLARIZED LOCK, STRAIGHT, .045 SQUARE POST, TIN OR TIN-LEAD PLATED, WITHOUT RETENTION PEGS, SPECIAL
0 PLC ± .01	1 PLC ± .005	2 PLC ± .003	3 PLC ± .002	4 PLC ± .001
ANGLES ± 1'				

MATERIAL: 1 FINISH: 2

WEIGHT: A1 00779 C=644867

CUSTOMER DRAWING SCALE: 5:1 SHEET 1 OF 1 REV J2

STE TE Connectivity

单击下面可查看定价，库存，交付和生命周期等信息

[>>TE Connectivity\(泰科\)](#)