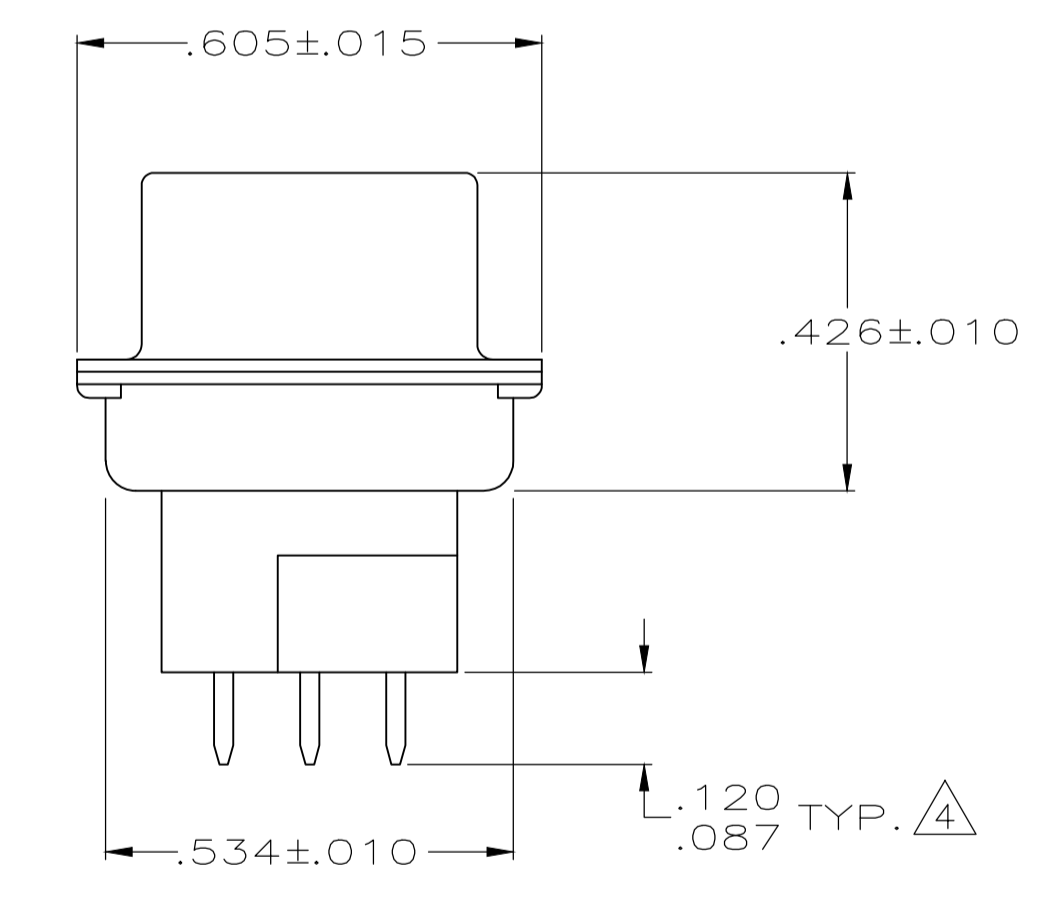
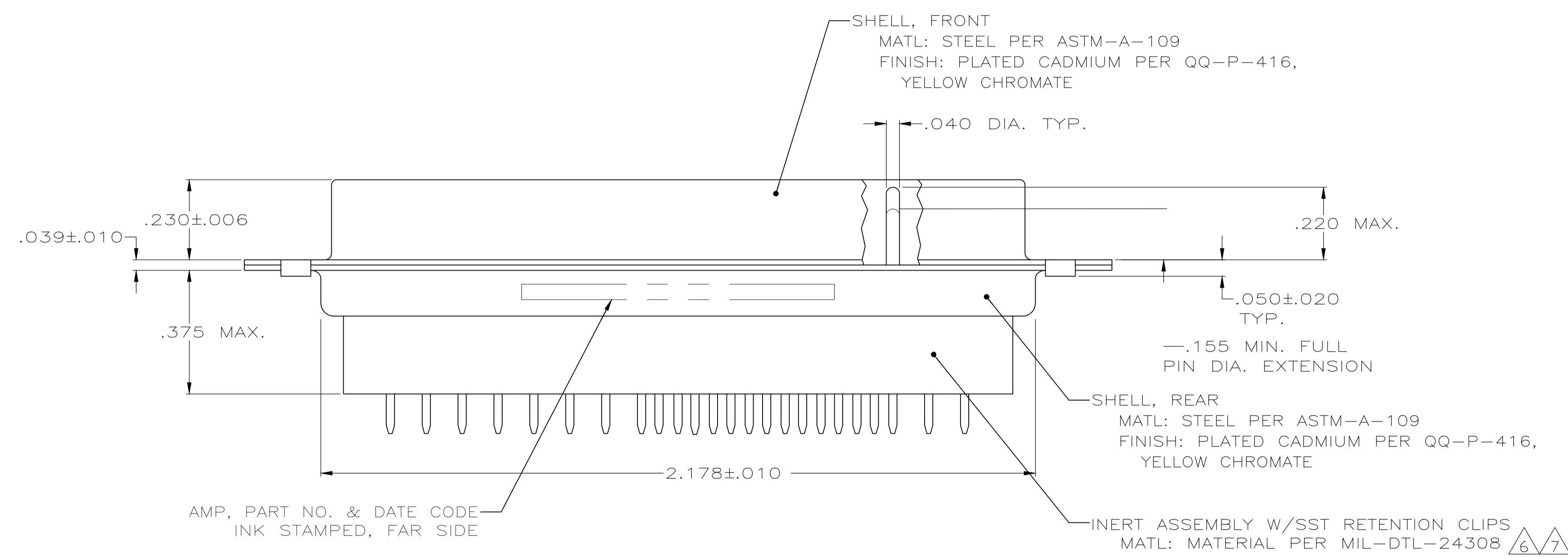
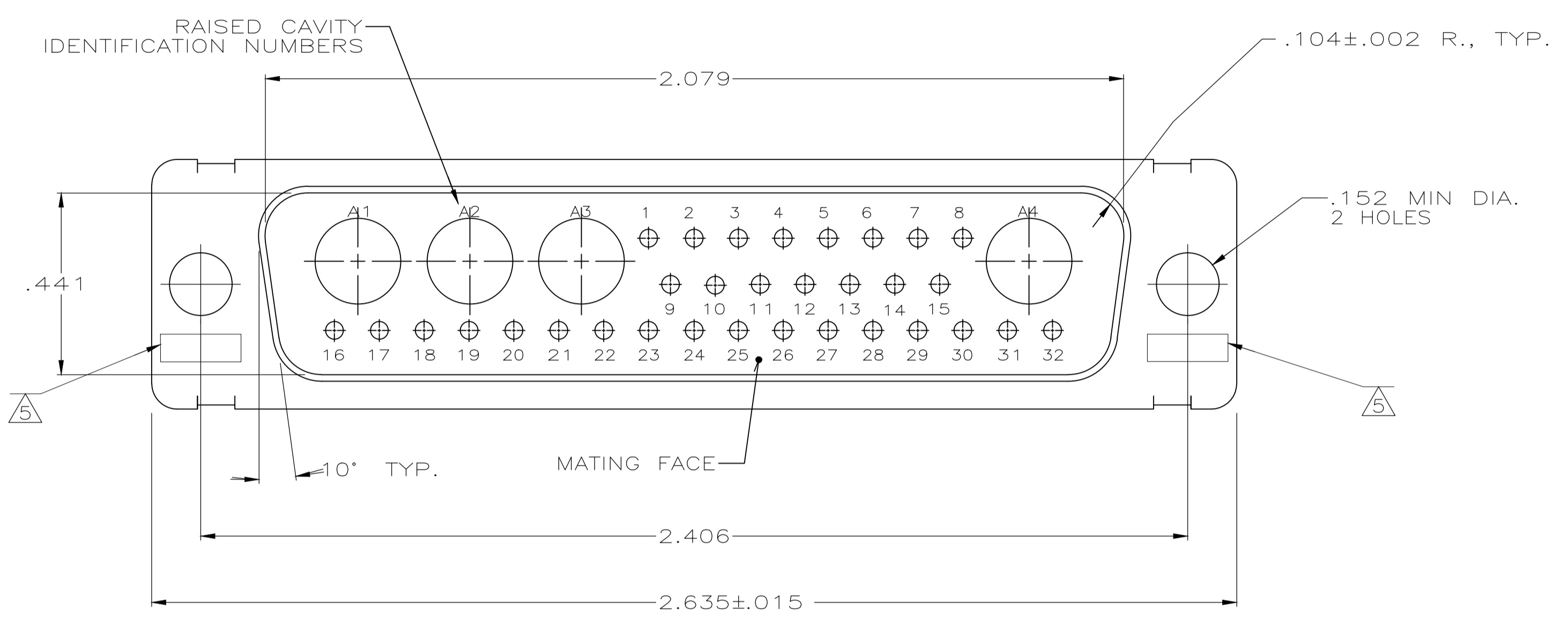


- THIS PLUG WILL MATE WITH ANY 36C4, SIZE 5 RECEPTACLE IN AMPLIMITE SERIES.
- MAXIMUM WIRE INSULATION TO BE USED WITH THIS PLUG IS .068 DIA FOR SIZE 20 CONTACTS.
- THIS CONNECTOR ACCEPTS SIZE 8 POWER OR COAX PIN CONTACTS (4); CONSULT PRODUCT ENGINEERING FOR ADDITIONAL DETAILS.
- WHEN FULLY SEATED REARWARD.
- UL/CSA DESIGNATION STAMPED IN THIS AREA.
- FINISH: CADMIUM PLATE PER QQ-P-416.
- FINISH: ZINC PLATED PER ASTM-B-633 .000200-.000400 THK WITH SUPPLEMENTARY CHROMATE (Cr3+).



7	5-445030-1
6	445303-1
REMARKS	PART NO

THIS DRAWING IS A CONTROLLED DOCUMENT.		DIN 27-May-15 MANJUNATH G.M.		TE Connectivity	
DIMENSIONS: INCHES		CHK 27-May-15 CHARLES THOMAS		NAME	
TOLERANCES UNLESS OTHERWISE SPECIFIED:		APVD 27-May-15 CHARLES THOMAS		PLUG ASSEMBLY, AMPLIMITE, 36C4, SIZE 5, SERIES 109, COAX MIX, LOADED	
0 PLC ± -		PRODUCT SPEC		APPLICATION SPEC	
1 PLC ± -		SIZE		CAGE CODE	
2 PLC ± -		DRAWING NO		RESTRICTED TO	
3 PLC ± .005		A1 00779		445030	
4 PLC ± -		WEIGHT		CUSTOMER DRAWING	
ANGLES ± -		SCALE 4:1		SHEET 1 OF 1	
FINISH SEE CALLOUTS		REV G			

单击下面可查看定价，库存，交付和生命周期等信息

[>>TE Connectivity\(泰科\)](#)