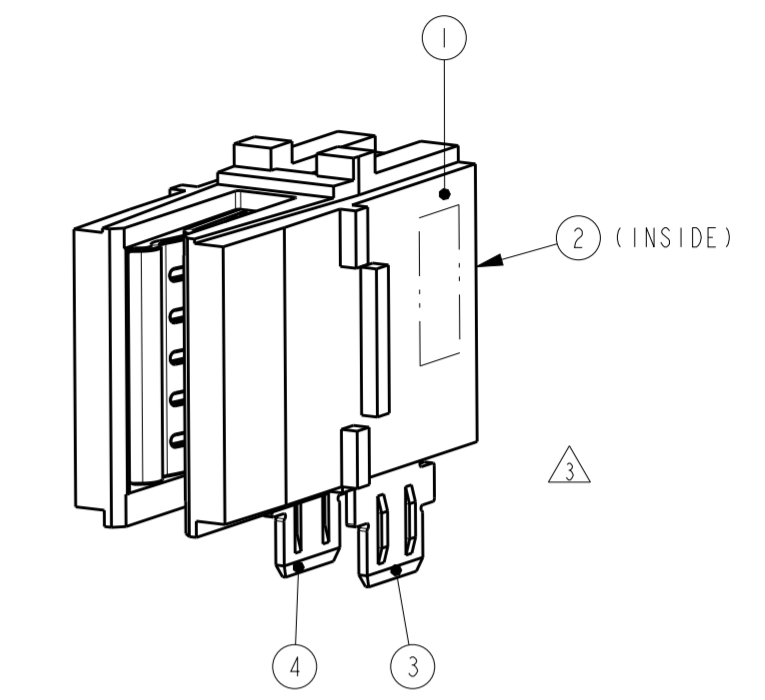
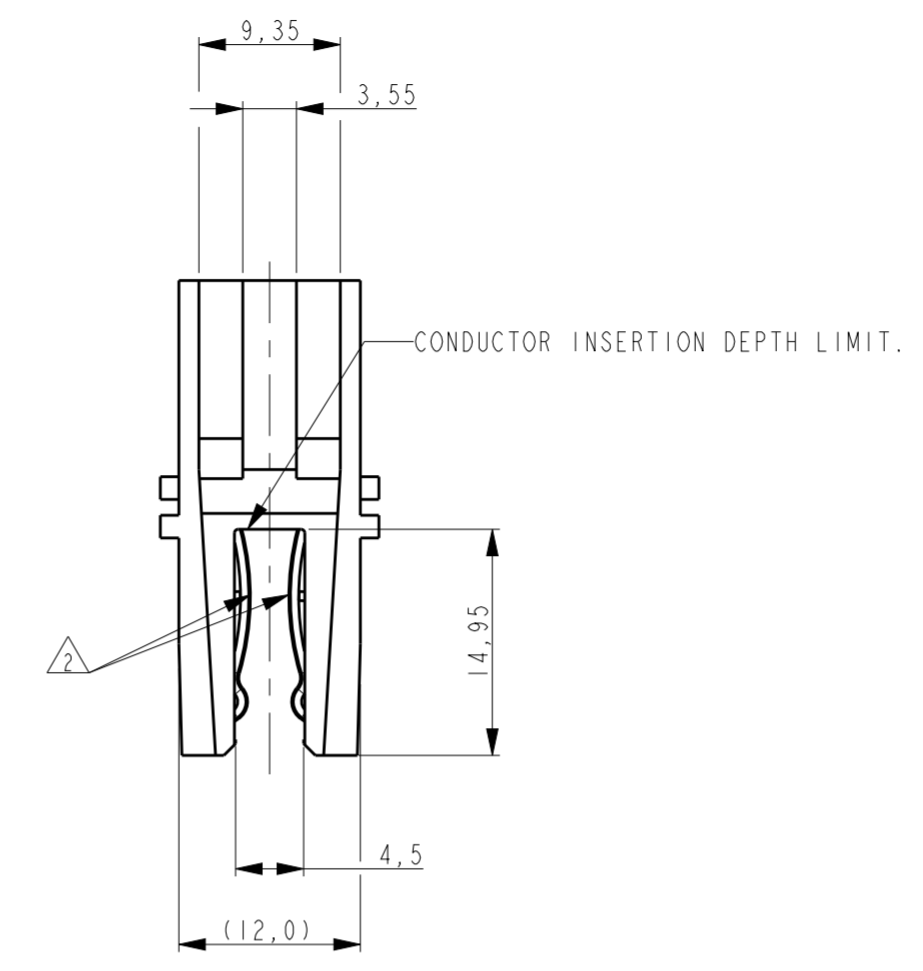
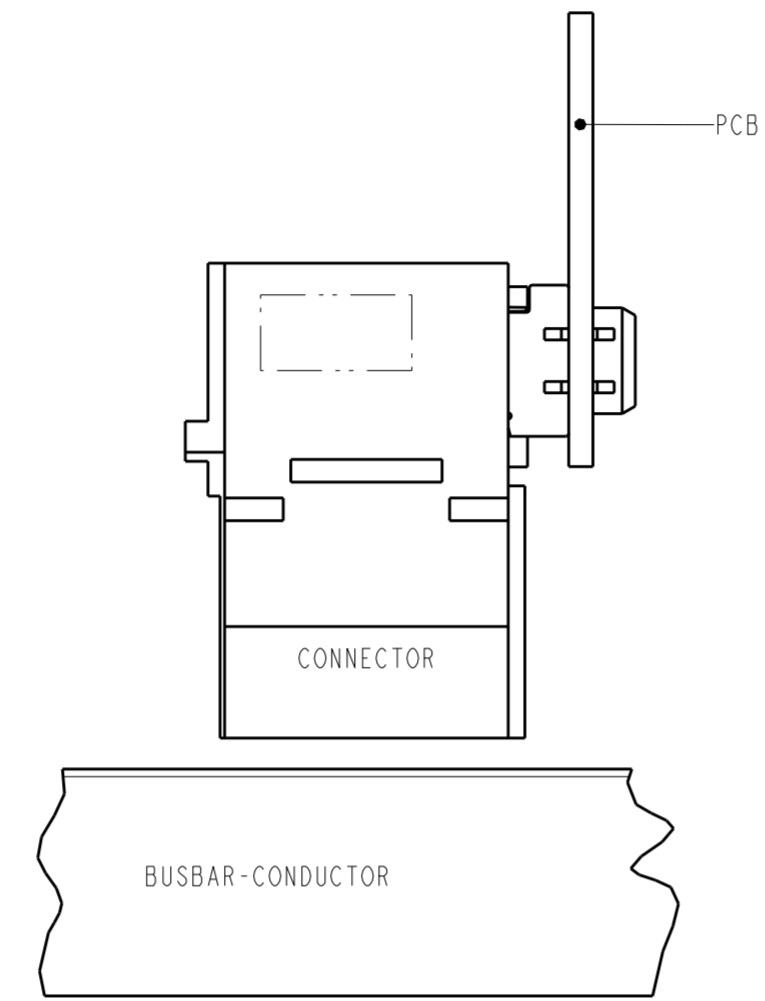
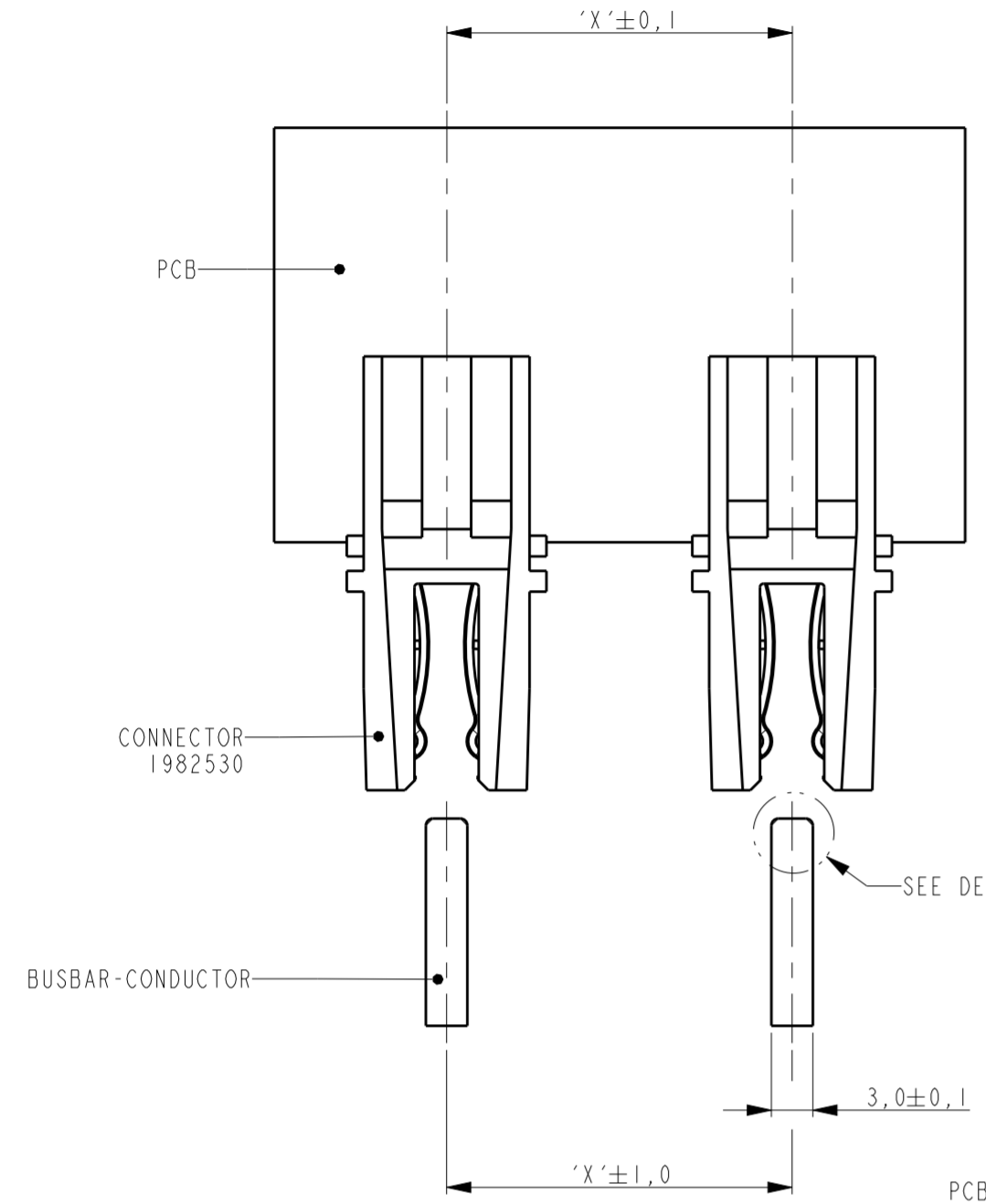
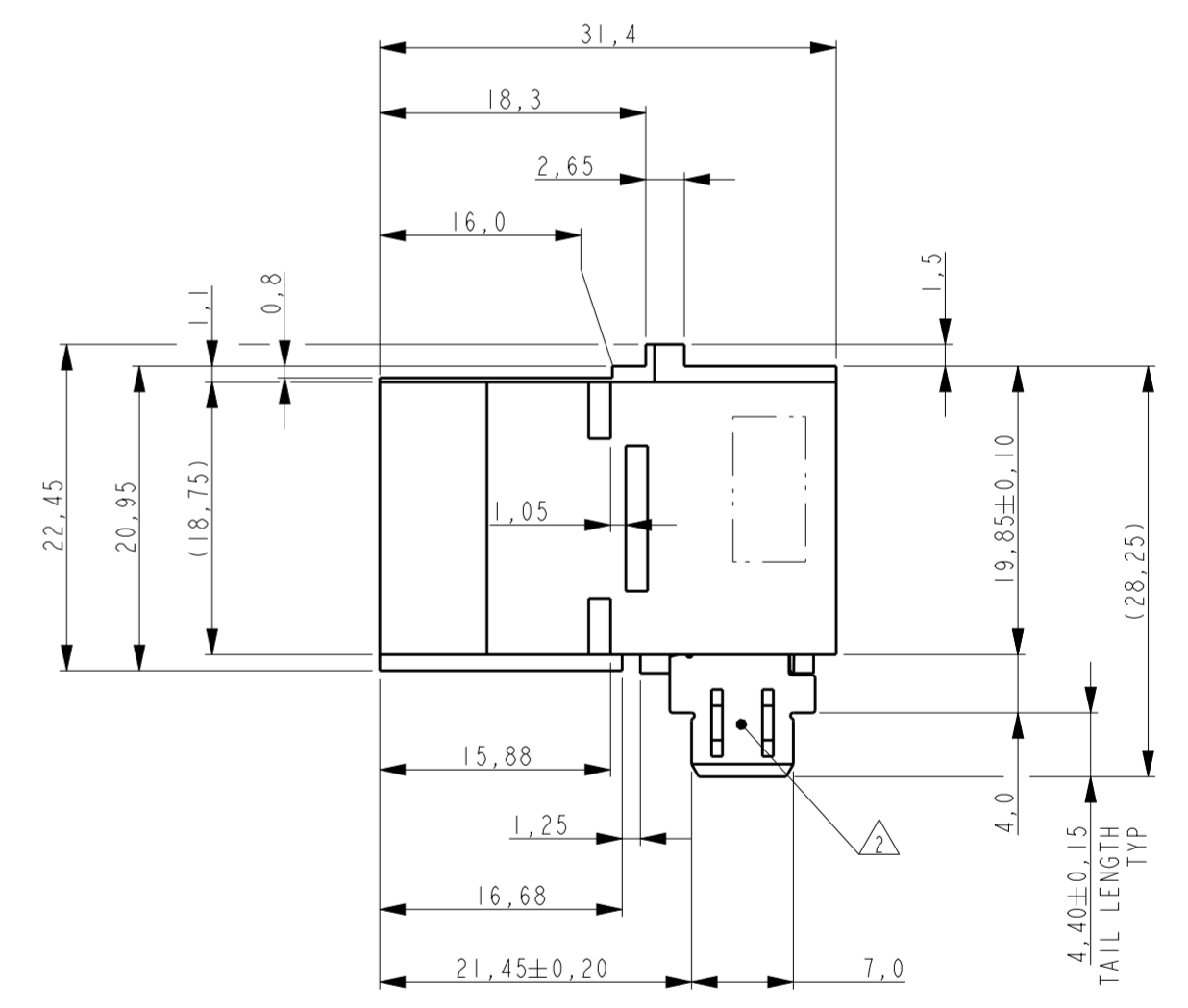
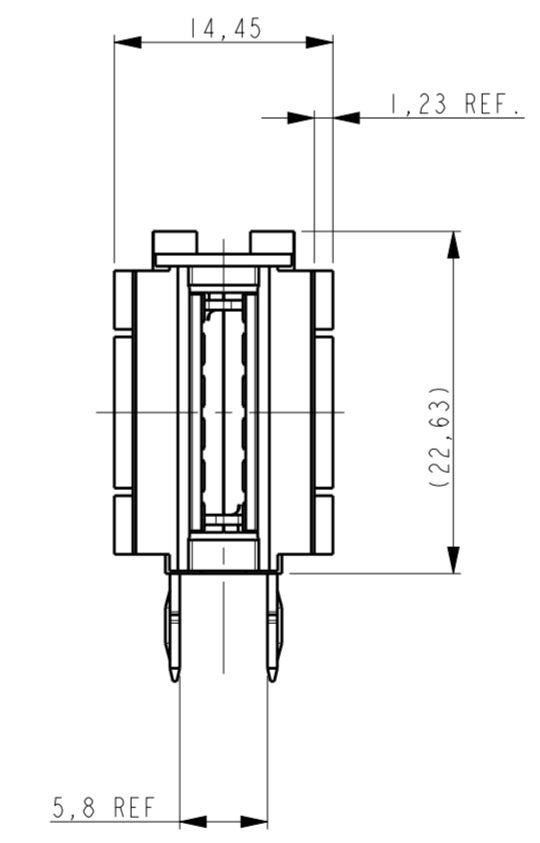
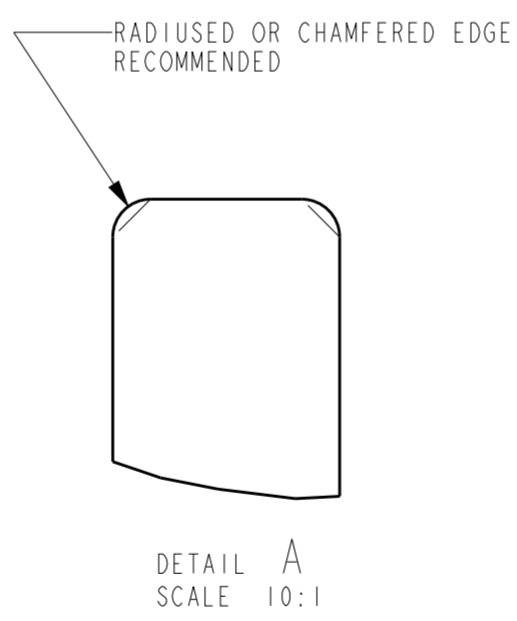
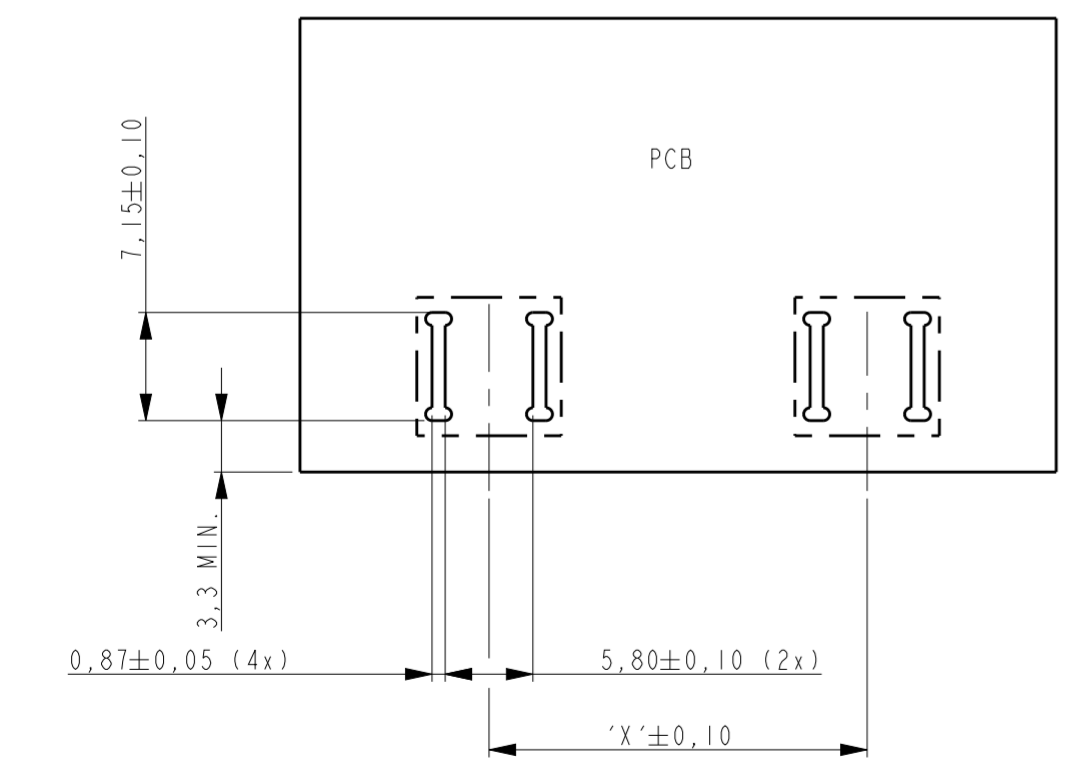


THIS DRAWING IS UNPUBLISHED. RELEASED FOR PUBLICATION
 © COPYRIGHT - BY - ALL RIGHTS RESERVED.

| REVISIONS | | | | |
|-----------|-----|-----------------------|-----------|-------|
| P | LTR | DESCRIPTION | DATE | APVD |
| A3 | | REV PER ECR-15-005882 | 20APR2015 | ML SZ |



PCB AND BUSBAR-CONDUCTORS, IN THESE VIEWS ARE SHOWN FOR REFERENCE ONLY.



TYCO ELECTRONICS ORDERNUMBER: 2042305-1

| ITEM NO. | DESCRIPTION | MATERIAL | FINISH |
|----------|---------------|-----------------|------------|
| 4 | CONTACT LEFT | COPPER ALLOY | SEE NOTE 1 |
| 3 | CONTACT RIGHT | COPPER ALLOY | SEE NOTE 2 |
| 2 | CLIP | STAINLESS STEEL | - |
| 1 | HOUSING | PBT | BLACK |

- NOTES:
- 1 PCB MUST BE SUPPORTED WHILE INSERTING THE CONNECTOR IN THE SLOTS TO AVOID BENDING OF THE BOARD.
 - 2 PLATING: 1,2µm MIN. NICKEL UNDERLAYER ALLOY. 3,0µm MIN. TIN IN INDICATED AREA'S.
 - 3 AREA FOR DATE-CODE
 - 5 MATERIAL:
 POWER CONTACT: HIGH CONDUCTIVITY COPPER ALLOY.
 HOUSING: THERMOPLASTIC, BLACK, UL94 V-0.

RECOMMENDED PCB LAY-OUT
 THICKNESS: 1,5 - 2,0mm

THIS DRAWING IS A CONTROLLED DOCUMENT.

| | | |
|------------------|---------------|-----------|
| DWN | J. VOS | 04-Apr-08 |
| CHK | R. DAAMEN | 04-Apr-08 |
| APVD | R. V.D. SANDT | - |
| PRODUCT SPEC | 108-19360 | |
| APPLICATION SPEC | 114-19128 | |
| WEIGHT | - | |
| Customer Drawing | | |

NAME: **STE** TE Connectivity
 PLUGGABLE BUSBAR CONNECTOR
 SOLDER VERSION
 CROWN CLIP JUNIOR

| | | | | | | | |
|-------|-----|-----------|-------|------------|-----------|---------------|----|
| SIZE | A2 | CAGE CODE | 00779 | DRAWING NO | C-2042305 | RESTRICTED TO | - |
| SCALE | 2:1 | SHEET | 1 | OF | 1 | REV | A3 |

单击下面可查看定价，库存，交付和生命周期等信息

[>>TE Connectivity\(泰科\)](#)