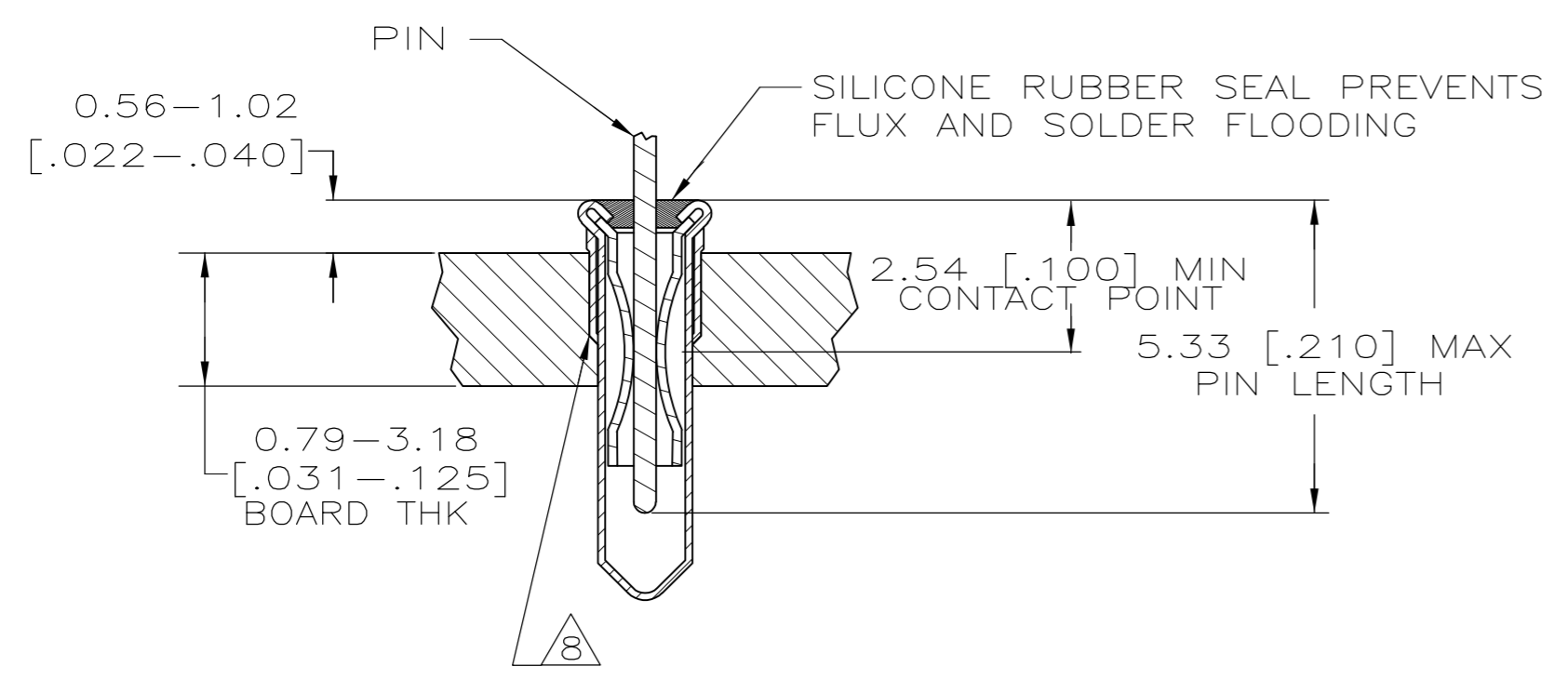
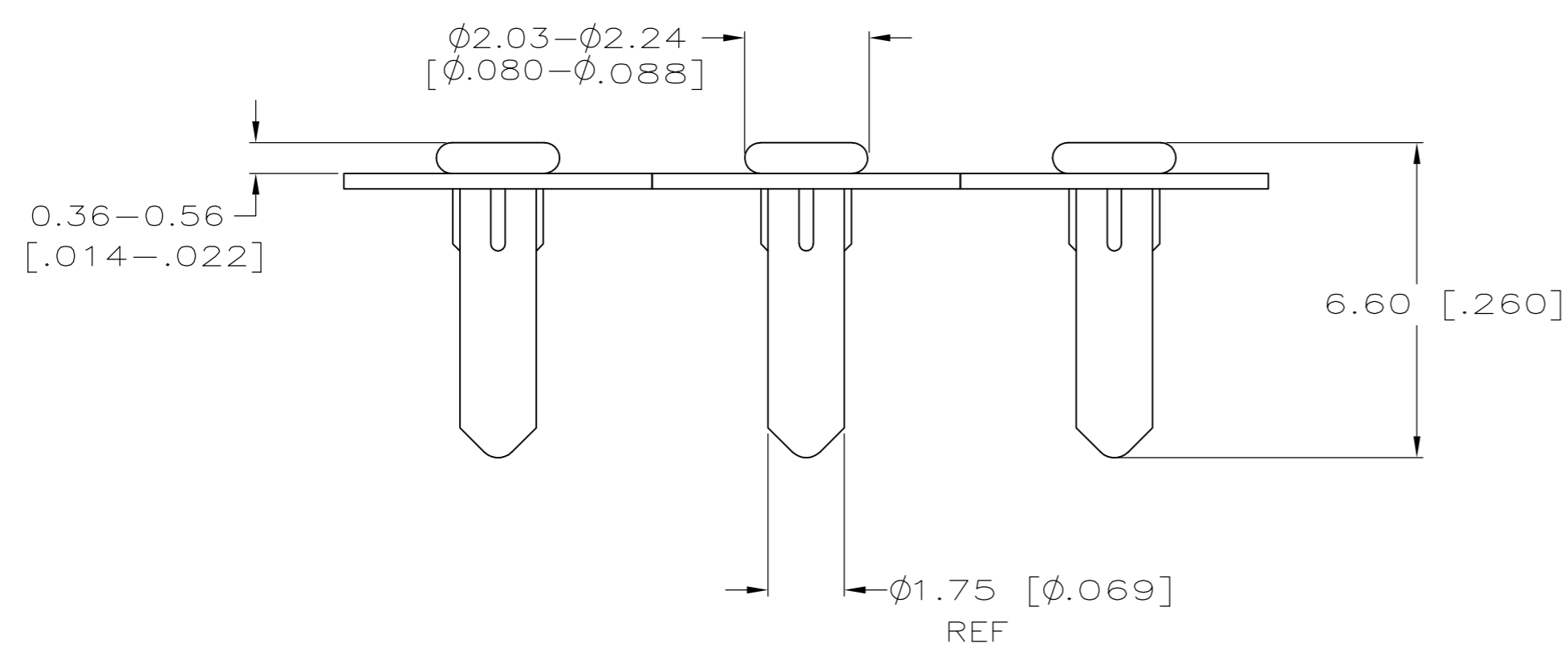
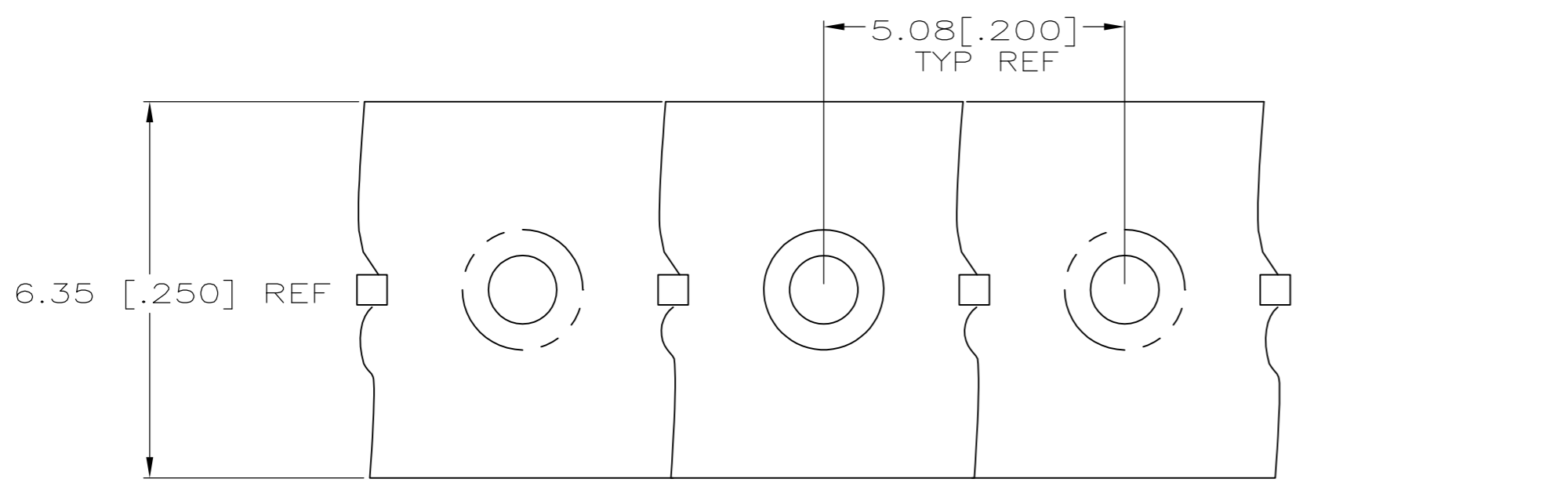


THIS DRAWING IS UNPUBLISHED. RELEASED FOR PUBLICATION
 © COPYRIGHT BY TYCO ELECTRONICS CORPORATION. ALL RIGHTS RESERVED.

LOC	DIST	REVISIONS					
		P	LTR	DESCRIPTION	DATE	DWN	APVD
AG	53	0		PER EC-0511-0022-05	20APR2005	GA	JGH
		01		REVISED PER ECO-09-024606	03NOV09	KK	AEG



- 1 MATERIAL:
EYELET- COPPER PER ASTM B 152
SPRING- BERYLLIUM-COPPER PER ASTM B 194
SEALANT- SILICONE RUBBER
- 2 TIN PLATE PER ASTM-B-545 0.00381 [.000150]
MINIMUM THICKNESS.
- 3 TIN PLATE PER ASTM-B-545 0.00254 [.000100]
MINIMUM THICKNESS.
- 4 GOLD PLATE PER SATM B 488 0.00076 [.000030]
MINIMUM THICKNESS.
- 5. PACKAGED 10,000 PER REEL.
- 6 TO ENSURE 1/2 OZ MIN RETENTION, DO NOT
NOT EXCEED 0.50 [.002] DIFFERENCE IN PIN DIA
WHEN CHANGING TO A SMALLER DIA PIN.
- 7. APPLICATION TOOLING: MACHINE NO.: 817917-4.
- 8 SHOULDER ON SOCKET PROVIDES RETENTION IN THE
P.C. BOARD. THE RECOMMENDED HOLE DIAMETER IS
1.75 [0.069] MINIMUM, + 0.08 [.003] MAXIMUM
PRIOR TO SOLDERING.
- 9 OBSOLETE PARTS: OBSOLETE CIS STREAMLINING PER D.RENAUD/D.SINISI

9 OBSOLETE	0.94-1.04 [0.037-0.041]	GOLD 4	TIN 2	1-5645501-3
		TIN 3		1-5645501-2
	PIN DIA 6	SPRING EYELET FINISH		PART NO

THIS DRAWING IS A CONTROLLED DOCUMENT.		DWN G. ATTADIA - DOCK5 20APR2005	Tyco Electronics Corporation Harrisburg, PA 17105-3608	
DIMENSIONS: mm [INCHES]		CHK J. HAVENER 20APR2005	NAME MINIATURE SPRING SOCKET ASSY SERIES 4	
TOLERANCES UNLESS OTHERWISE SPECIFIED:		APVD J. HAVENER 20APR2005	PRODUCT SPEC 108-14008	
0 PLC ± -	1 PLC ± -	APPLICATION SPEC 114-26004	SIZE A2	CAGE CODE 00779
2 PLC ± -	3 PLC ± 0.20 [.008]	WEIGHT -	DRAWING NO C=5645501	RESTRICTED TO -
4 PLC ± -	ANGLES ± -	CUSTOMER DRAWING	SCALE 10:1	SHEET 1 of 1
MATERIAL 1	FINISH SEE TABLE		REV 01	

单击下面可查看定价，库存，交付和生命周期等信息

[>>TE Connectivity\(泰科\)](#)