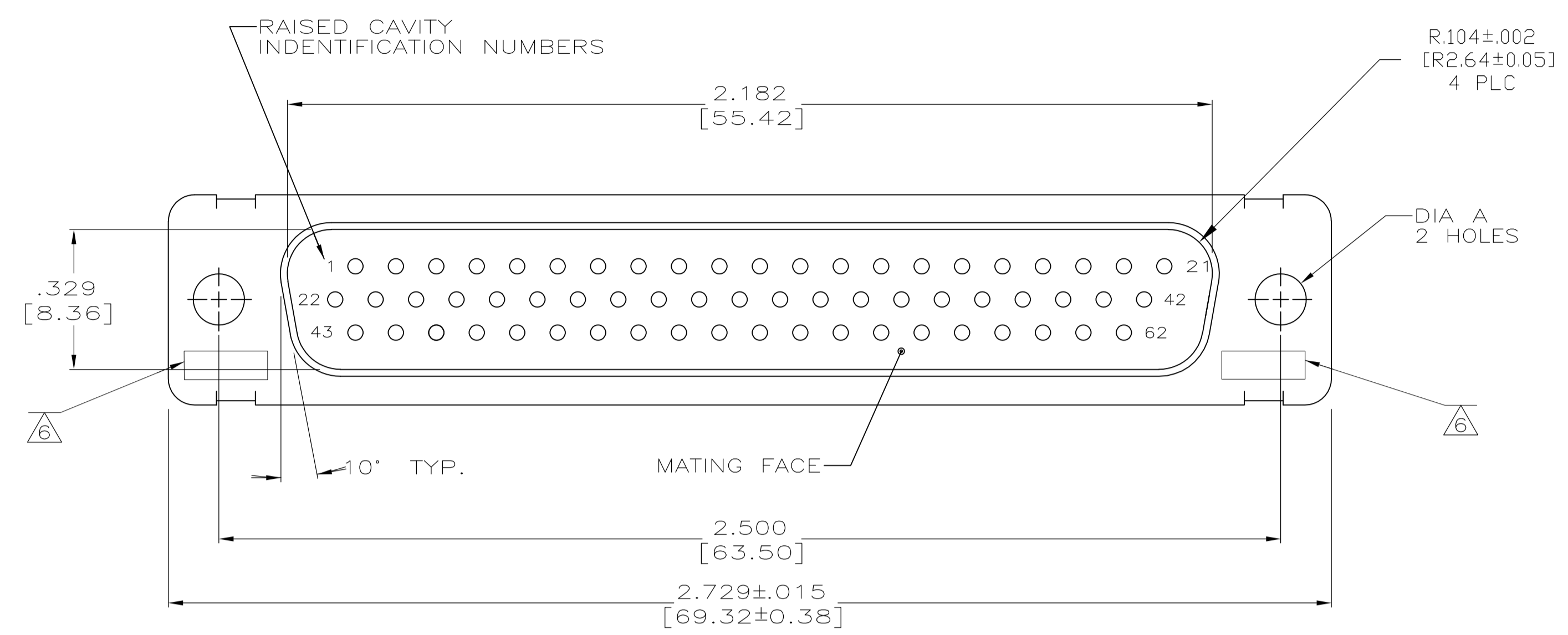
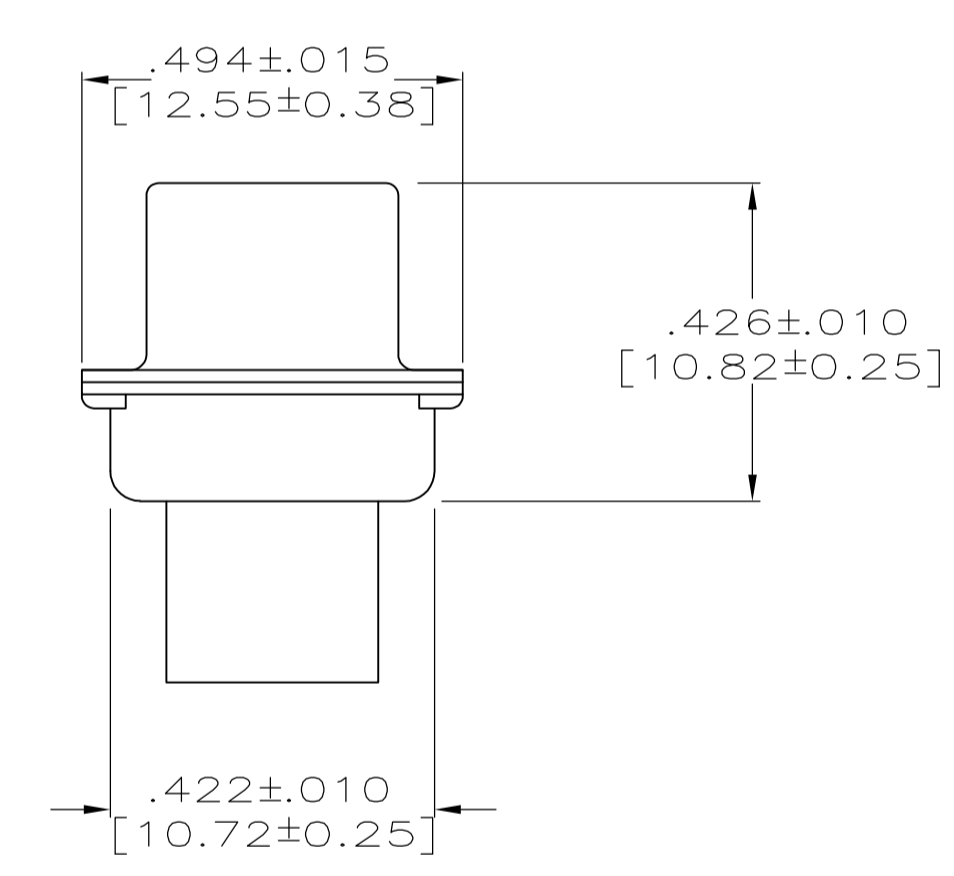
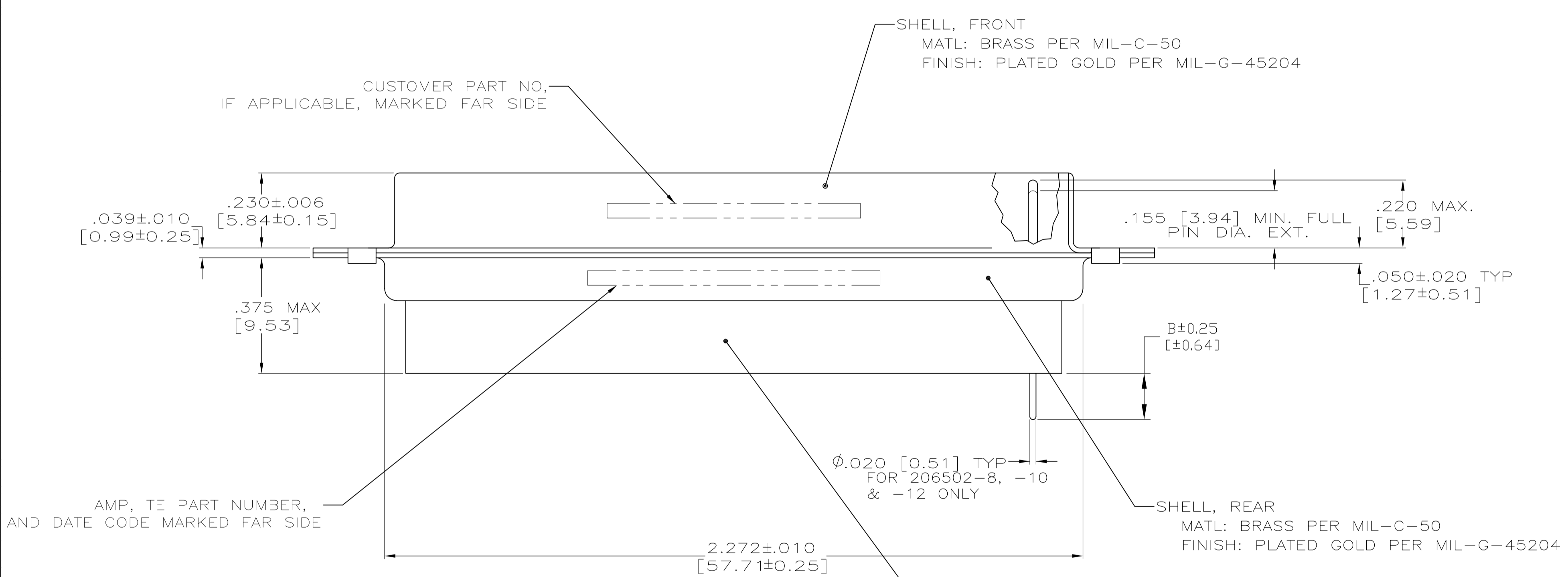


REVISONS		DATE	DWN	APVD
LOC	DIST	DESCRIPTION		
Z		REV PER ECO 15-016064	11-9-15	CT CD



- THIS PLUG WILL MATE WITH ANY RECEPTACLE CONNECTOR WITH THE SAME INSERT ARRANGEMENT AS DEFINED BY MS18276-2.
 - MAXIMUM WIRE INSULATION USED WITH THIS PLUG IS .054 [1.37] DIA.
 - Be-Cu RETENTION CLIPS ARE INCLUDED IN INSERTS.
- △4 INSPECTION REQUIREMENTS PER R4383.
 - △5 CONNECTOR SUPPLIED WITH 69 CONTACTS, AMP PART NUMBER 204370-8. INSPECTION REQUIREMENTS PER R4383 WITHOUT TESTS FOR HIGH ALTITUDE DIELECTRIC WITHSTANDING VOLTAGE AS CALLED FOR IN TABLE II SCREENING AND TESTING.
 - △6 UL/CSA DESIGNATION STAMPED IN THIS AREA, OPTIONAL.
 - △7 CONNECTOR LOADED WITH POSTED CONTACTS. INSPECTION REQUIREMENTS PER GENERAL ELECTRIC DOCUMENT 20025720.
 - △8 RESTRICTED TO CAE ELECTRONICS ONLY.
 - △9 THESE CONNECTORS ARE QUALIFIED TO GODDARD SPACE FLIGHT CENTER SPECIFICATION S-311-P-4.
 - △10 CONNECTOR LOADED WITH POSTED CONTACTS.
 - △11 CONNECTOR LOADED WITH POSTED CONTACTS. INSPECTION REQUIREMENTS PER LM DOCUMENT 20131204.



TE PART NUMBER 204370-8
GSFC PART NUMBER G-08-P1
(SUPPLIED WITH 206502-6 ONLY)

REMARKS	DIA B	DIA A	CUSTOMER P/N ON CONNECTOR	TE P/N ON CONNECTOR	TE P/N
△11	.150 [3.81]	.120 [3.05]	20131204P2062P	1-206502-2	1-206502-2
	--	.120 [3.05]	570566-10	1-206502-1	1-206502-1
△10	.175 [4.45]	.120 [3.05]	--	1-206502-0	1-206502-0
△9 △8	--	.120 [3.05]	311P407-4P-B-12	206502-4	206502-9
△7	.150 [3.81]	.120 [3.05]	20025720P2062P	206502-8	206502-8
	--	.154 [3.91]	SC81D139-054	206502-7	206502-7
△5	--	.120 [3.05]	R4383P62P	206502-6	206502-6
△4	--	.120 [3.05]	R4383P62P-2	206502-5	206502-5
△3	--	.120 [3.05]	311P407-4P-B-12	206502-4	206502-4
	--	.154 [3.91]	----	206502-3	206502-3
	--	.120 [3.05]	R9259P62P	206502-2	206502-2
△2	--	.154 [3.91]	311P407-4P-B-15	206502-1	206502-1

THIS DRAWING IS A CONTROLLED DOCUMENT.

DIMENSIONS: INCHES. TOLERANCES UNLESS OTHERWISE SPECIFIED:

0 PLC	± .005
1 PLC	± .005
2 PLC	± .005
3 PLC	± .005 [0.13]
4 PLC	± .005
ANGLES	± 0°30'

MATERIAL: SEE CALLOUTS. FINISH: SEE CALLOUTS.

APPROVED: M. CLOUSER, 12-16-88. CHK: T. CANTLIN, 12-16-88. APVD: F. BALLOW, 12-16-88.

NAME: AMPLIMITE NONMAGNETIC PLUG ASSEMBLY, SERIES 90, SHELL SIZE 4, 62 POSITION.

SIZE: A1. CAGE CODE: 00779. DRAWING NO: 206502. WEIGHT: --. RESTRICTED TO: --.

CUSTOMER DRAWING. SCALE: 4:1. SHEET: 1 OF 1. REV: Z.

单击下面可查看定价，库存，交付和生命周期等信息

[>>TE Connectivity\(泰科\)](#)