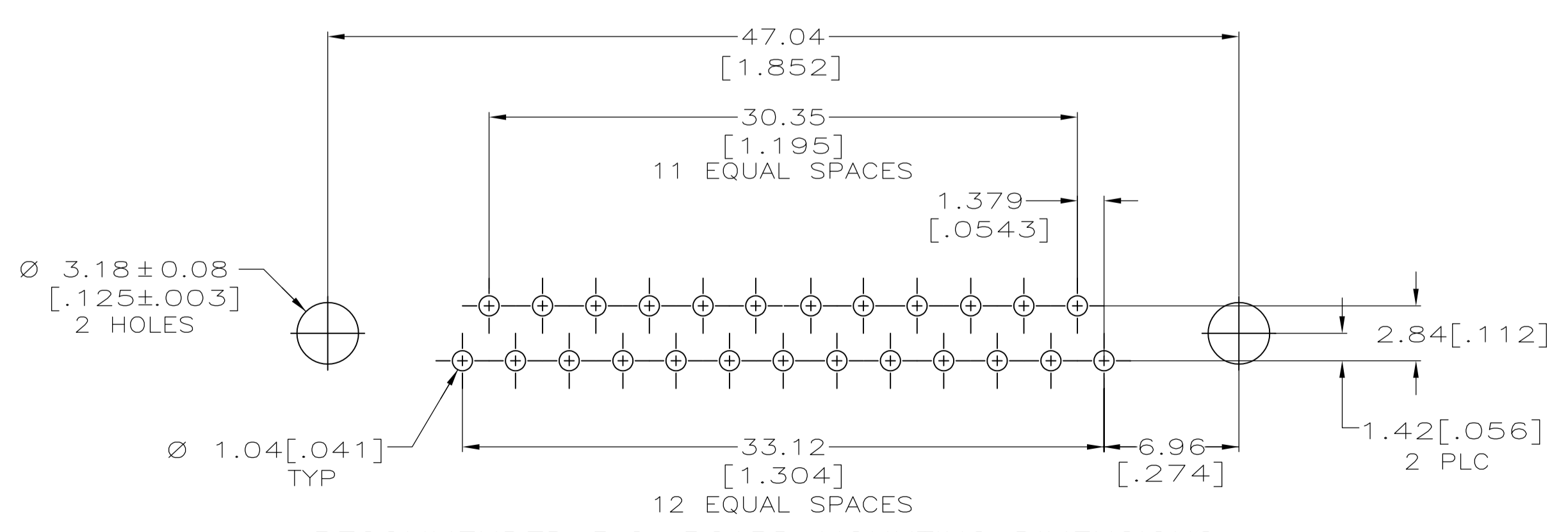
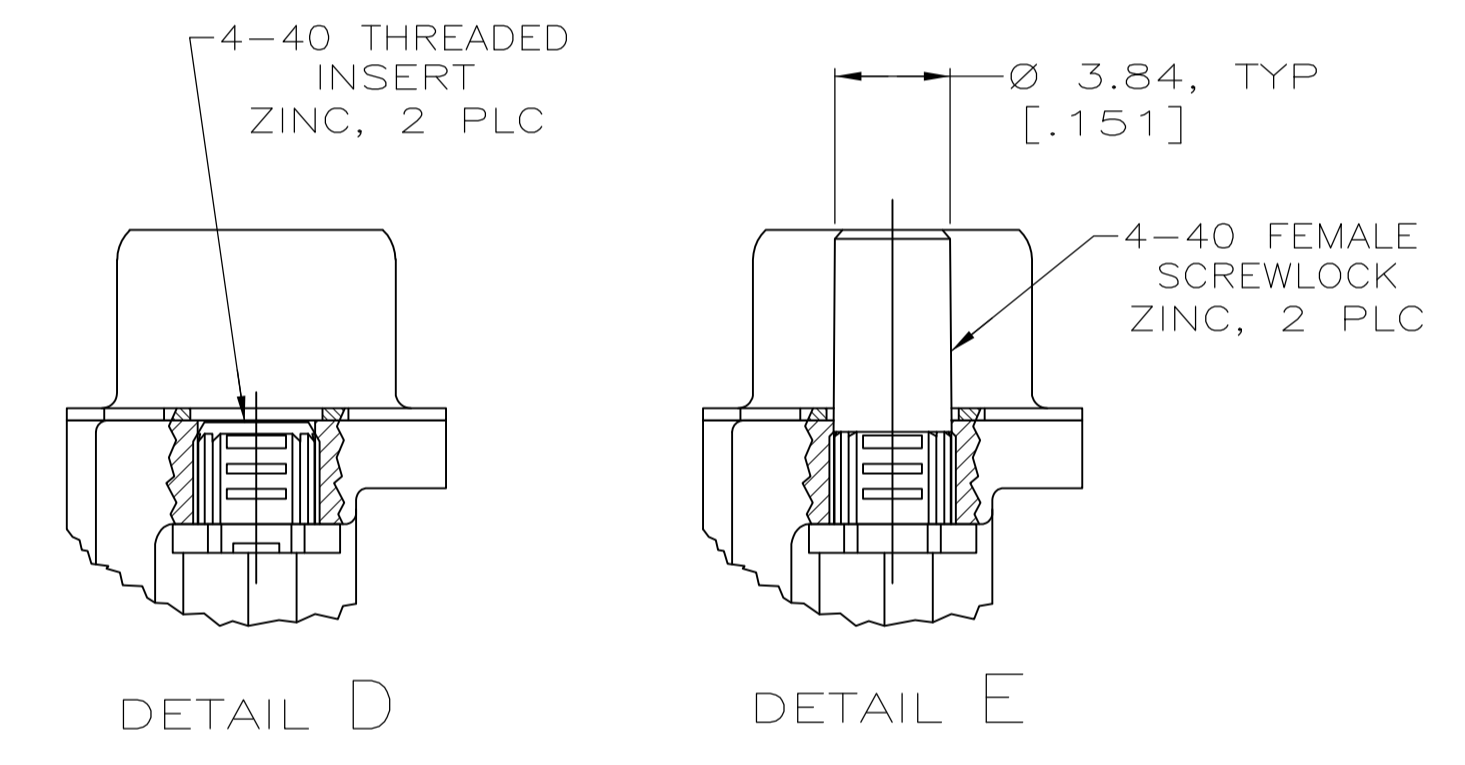
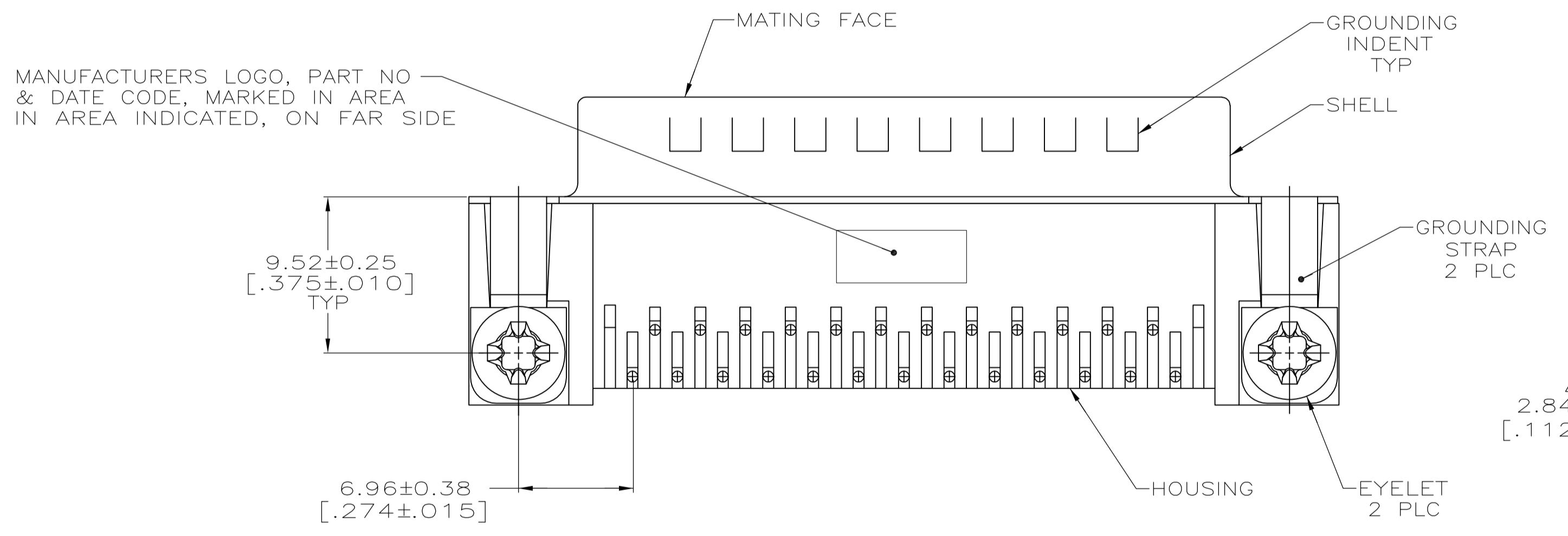


- 1 HOUSING: NYLON OR POLYESTER, FLAME RETARDANT, UL 94V-0 RATED, GLASS FILLED, BLACK.  
CONTACTS: BRASS.  
SHELL: CARBON STEEL.  
EYELETS: BRASS.  
BOARDLOCKS: COPPER ALLOY.
- 2 SHELL: 2.54µm[.000100] MIN TIN OVER 1.27µm[.000050] MIN COPPER.  
EYELETS: 5.08µm[.000200] MIN TIN OVER COPPER FLASH.  
CONTACTS: SEE TABLE.  
BOARDLOCKS: 5.08µm[.000200] MIN TIN OVER 1.27µm[.000050] MIN NICKEL.  
INSERTS: CLEAR CHROMATE.  
SCREWLOCKS: CLEAR CHROMATE.
- 3 GOLD FLASH ON THE MATING SURFACES, 2.54µm[.000100] MIN TIN PLATE ON THE SOLDER END, 1.27µm[.000050] MIN NICKEL UNDERPLATE ON THE ENTIRE CONTACT.
- 4 0.76µm[.000030] MIN GOLD PLATE ON THE MATING SURFACES, 2.54µm[.000100] MIN TIN PLATE ON THE SOLDER END, 1.27µm[.000050] MIN NICKEL UNDERPLATE ON THE ENTIRE CONTACT -OR- GOLD FLASH OVER PALLADIUM-NICKEL PLATE, 0.76µm[.000030] MIN TOTAL ON THE MATING SURFACES, 2.54µm[.000100] MIN TIN PLATE ON THE SOLDER END, 1.27µm[.000050] MIN NICKEL UNDERPLATE ON THE ENTIRE CONTACT.
- 5 DIMENSION APPLIES FROM CENTER OF CONTACTS.



RECOMMENDED P.C. BOARD MOUNTING DIMENSIONS  
P.C. BOARD THICKNESS: 1.57[.062]

**COPYRIGHT 2005  
TYCO ELECTRONICS CORP  
ALL RIGHTS RESERVED**

|                   |                |           |
|-------------------|----------------|-----------|
| SEE DETAIL E      | 4              | 5747842-6 |
| SEE DETAIL D      | 3              | 5747842-5 |
|                   | 4              | 5747842-4 |
|                   | 3              | 5747842-3 |
|                   | 4              | 5747842-2 |
| MOUNTING HARDWARE | CONTACT FINISH | PART NO   |

|  |  |  |  |   |  |
|--|--|--|--|---|--|
| THIS DRAWING IS A CONTROLLED DOCUMENT. DIMENSIONING AND TOLERANCING PER ASME Y14.5M-2009 |  | DIN G. ATTADIA - DOCKS 04-12-05        |  | CIRK S. BOLASH 04-12-05   |  |
| DIMENSIONS: mm(INCHES)   |  | TOLERANCES UNLESS OTHERWISE SPECIFIED: |  | APPROD M. WALMSLEY 04-12-05   |  |
| 0 PLC ± -  |  | 1 PLC ± -                              |  | NAME PLUG ASSEMBLY, SIZE 3, 25 POSITION, RIGHT ANGLE, FRONT METAL SHELL, .318 SERIES, BOARDLOCKS, AMPLIMITE HD-20 |  |
| 2 PLC ± 0.13[.005]   |  | 3 PLC ± -                              |  | PRODUCT SPEC 108-40025  |  |
| 4 PLC ± -  |  | ANGLES ± -                             |  | APPLICATION SPEC 114-40010  |  |
| MATERIAL   |  | FINISH                                 |  | SIZE 114-40010  |  |
| 1  |  | 2                                      |  | WEIGHT -  |  |
| CUSTOMER DRAWING   |  | SCALE 4:1                              |  | SHEET 1 OF 1  |  |

单击下面可查看定价，库存，交付和生命周期等信息

[>>TE Connectivity\(泰科\)](#)

[>>点击查看相关商品](#)