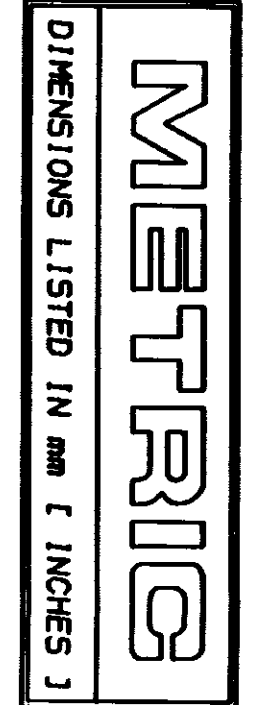
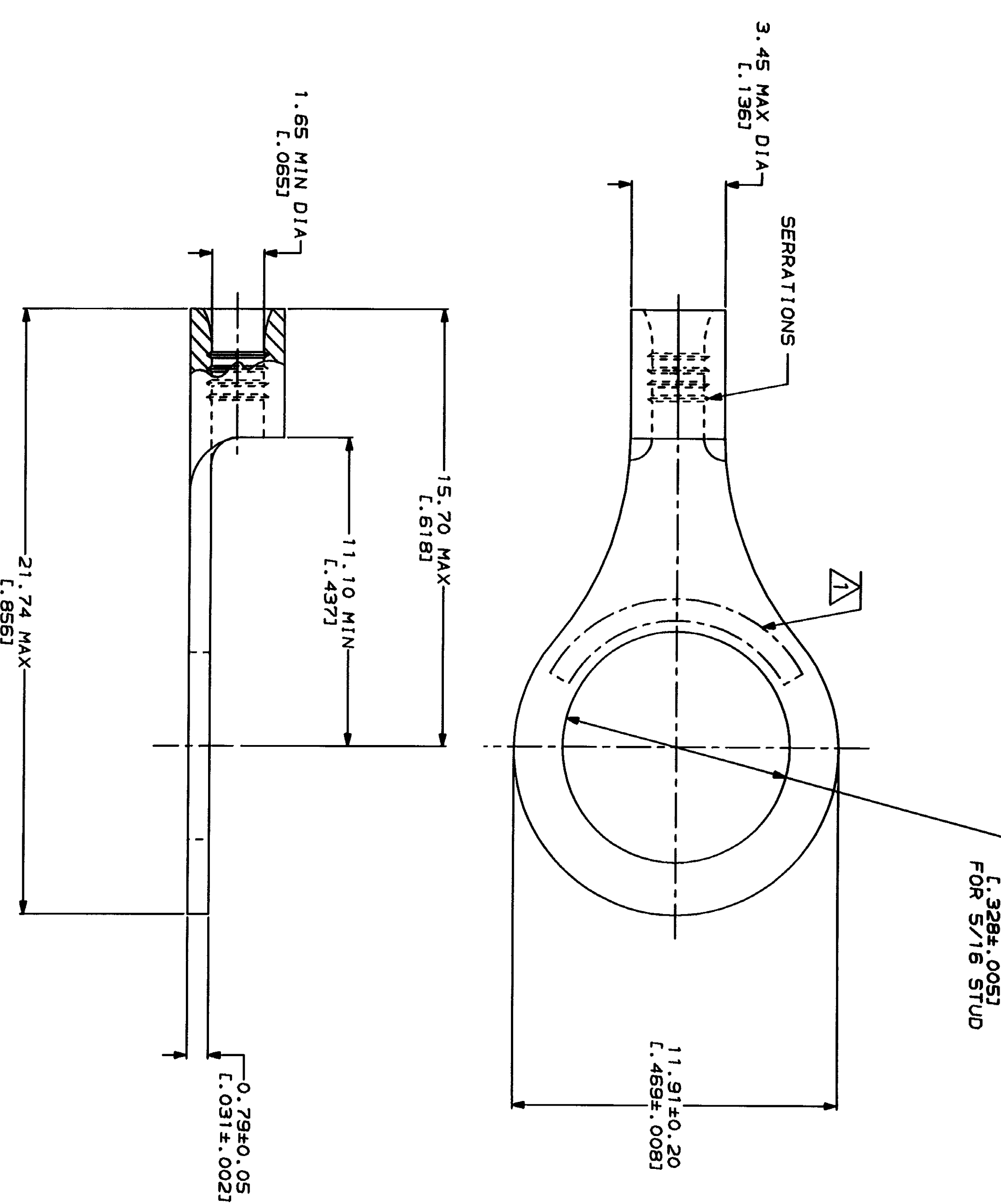


LOC	DATE	BY	DESCRIPTION	DATE	APPD
G	14	P	REVISED PER 0720-0230-93	2/25/93	DA



WIRE RANGE	22-16 AWG STRANDED	E13288 Listed
WIRE RANGE	22-16 AWG STRANDED	MILITARY P/N AND CLASS
NOT CERTIFIED	NOT APPLICABLE	

STAMP AMP 22-18* APPROX AS SHOWN
 22-16 TERMINALS ARE STAMPED 22-18 IN
 ACCORDANCE WITH MILITARY SPECIFICATION
 MIL-T-7928, COMMERCIAL WIRE RANGE IS 22-16



AMP INCORPORATED
 CUSTOMER SERVICE SYSTEMS
 FOR ADDITIONAL PRODUCT INFORMATION OR COPIES OF DRAWINGS AND TECHNICAL DOCUMENTS
 1-800-522-6752
 PRODUCT INFORMATION CENTER
 FOR APPLICATION TOOLS ASSISTANCE CENTER
 1-800-722-1111
 TOOLING ASSISTANCE CENTER
 FOR ORDER ENTRY
 1-800-526-5142

MAX RECOMMENDED OPERATING TEMPERATURE: 170°C MAX
 VOLTAGE RATING: NOT APPLICABLE
 WIRE CROSS SECTIONAL AREA RANGE: 0.26-1.65mm² (S09-3,260) CIR MILS STRANDED

DO NOT SCALE PRINT. UNLESS SPECIFIED DIMENSIONS IN INCHES - TOLERANCES ON 1/2 PLC DEC # - ANGLES MATERIAL COPPER PER ASTM B-152 ANNEALED
 FINISH TIN PLATE
 0.00254L.000100] MIN THK PER MIL-T-10727

DR 2-3-93 TA BRIKMAN
 CHK 2-3-93 DA PATTERSON
 APPD 2-3-93 DE MILLER
 APPD 2-3-93 JL HECKLEY
 PRODUCT SPEC

AMP INCORPORATED
 Harrisburg, PA 17125-3608
 TERMINAL, RING TONGUE, BUDGET
 ON TAPE
 LOOSE PIECE
 PACKAGE TYPE
 PART NO
 3-31173-3
 31173
 NAME
 AMP INCORPORATED
 Harrisburg, PA 17125-3608
 SIZE CAGE CODE DRAWING NO
 00779 G-31173
 SCALE 8:1 SHEET 1 OF 1

单击下面可查看定价，库存，交付和生命周期等信息

[>>TE Connectivity\(泰科\)](#)