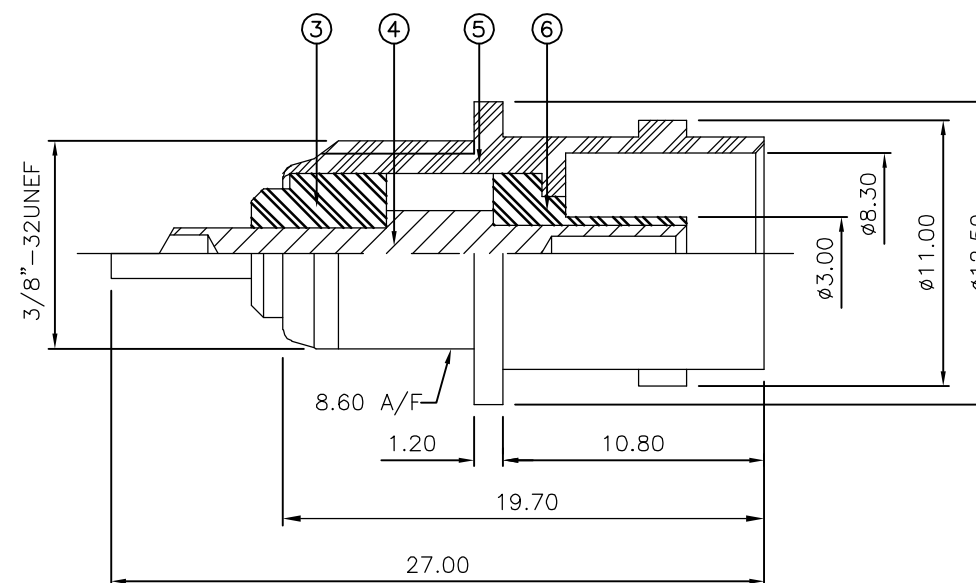
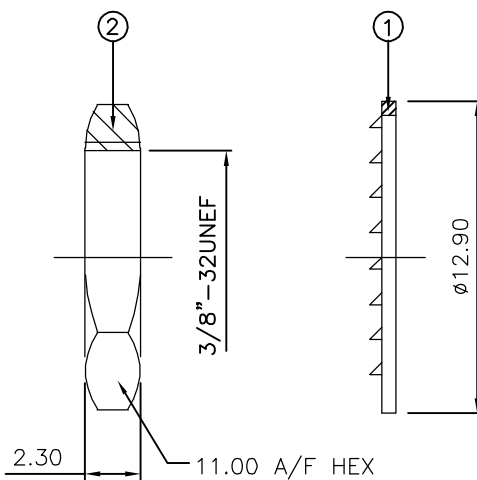


LOC	DIST	REVISIONS					
E	B	P	LTR	DESCRIPTION	DATE	DWN	APVD
		C		ECR-06-001518	25JAN06	JMS	FWK

NOTES:

- ① PACK IN ACCORDANCE WITH AMP SPEC 107-3275
- ② 100 TRAY PACK IN ACCORDANCE WITH AMP SPEC 107-3275
- ③ Au PLATING
- ④ Ni PLATING
- 5 ELECTRICAL CHARACTERISTICS
 FREQUENCY RANGE: DC - 2 GHz
 NOMINAL IMPEDANCE: 75 Ohm
 INSULATION RESISTANCE: 5000 MOhm
 WORKING VOLTAGE: 500 Volts RMS at Sea Level
 DIELECTRIC WITHSTAND VOLTAGE: 1500 Volts RMS Max
 CONTACT RESISTANCE:
 CENTRE CONTACT: 1.50 mOhm Max
 OUTER CONTACT: 0.20 mOhm Max
 VSWR @ xGHz: N/A
 INSERTION LOSS xdb: N/A
- 6 MECHANICAL CHARACTERISTICS
 COUPLING RETENTION FORCE: N/A
 CABLE RETENTION FORCE: N/A
 MOUNT NUT RECOMMENDED TORQUE: 2.5N
 DURABILITY: 500 Cycles Min
- 7 ENVIRONMENTAL CHARACTERISTICS
 OPERATING TEMPERATURE: -65 to +165 DegC



QTY	QTY PER ASSY	MATERIAL	DESCRIPTION	ITEM
1	1	PTFE	INSULATION	6
1	1	BRASS	④ BODY	5
1	1	BRASS	③ CONTACT	4
1	1	PTFE	INSULATION	3
1	1	BRASS	④ HEX NUT	2
1	1	STEEL	④ LOCKWASHER	1
6--0	1--0			
④	④			

THIS DRAWING IS A CONTROLLED DOCUMENT.		DWN J.SANDWELL 25JAN06	Tyco Electronics Corporation Bideford EX39 4HE	
DIMENSIONS: mm		CHK S.PARLOW 25JAN06		
TOLERANCES UNLESS OTHERWISE SPECIFIED:		APVD F.WHEELER-KING 25JAN06	NAME BNC BULKHEAD SOCKET FRONT MOUNT 75 OHM LESS SOLDER TAG	
0 PLC ± - 1 PLC ± - 2 PLC ± - 3 PLC ± - 4 PLC ± - ANGLES ± -		PRODUCT SPEC -	SIZE A3	
MATERIAL SEE TABLE		FINISH -	APPLICATION SPEC -	CAGE CODE 00779
		WEIGHT -	RESTRICTED TO -	DRAWING NO C-1337528
CUSTOMER DRAWING			SCALE NTS	SHEET 1 OF 1
			REV C	

单击下面可查看定价，库存，交付和生命周期等信息

[>>TE Connectivity\(泰科\)](#)