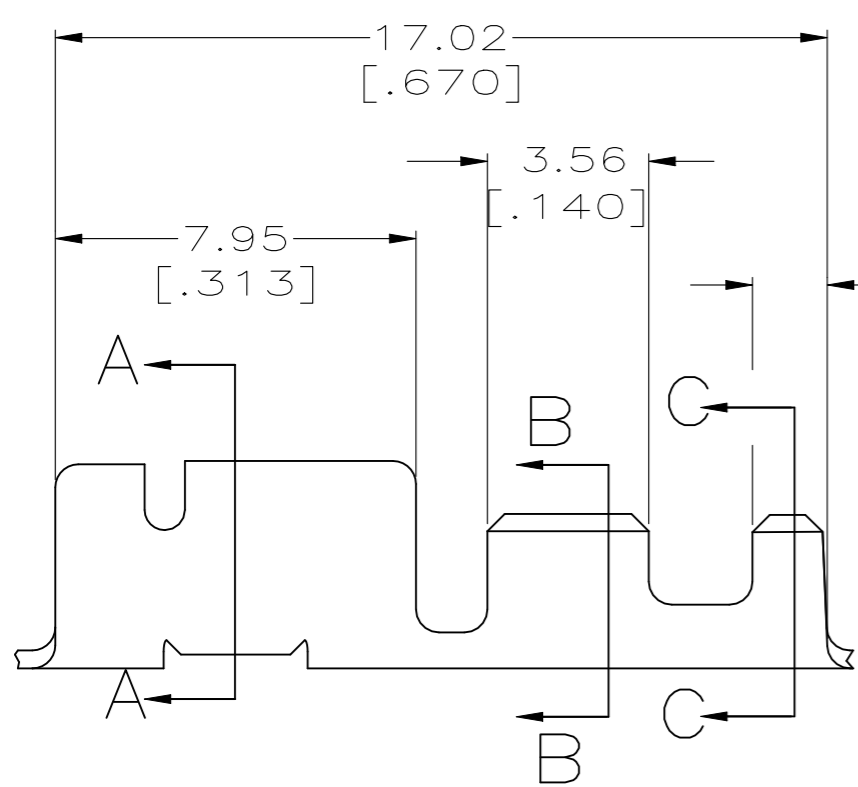
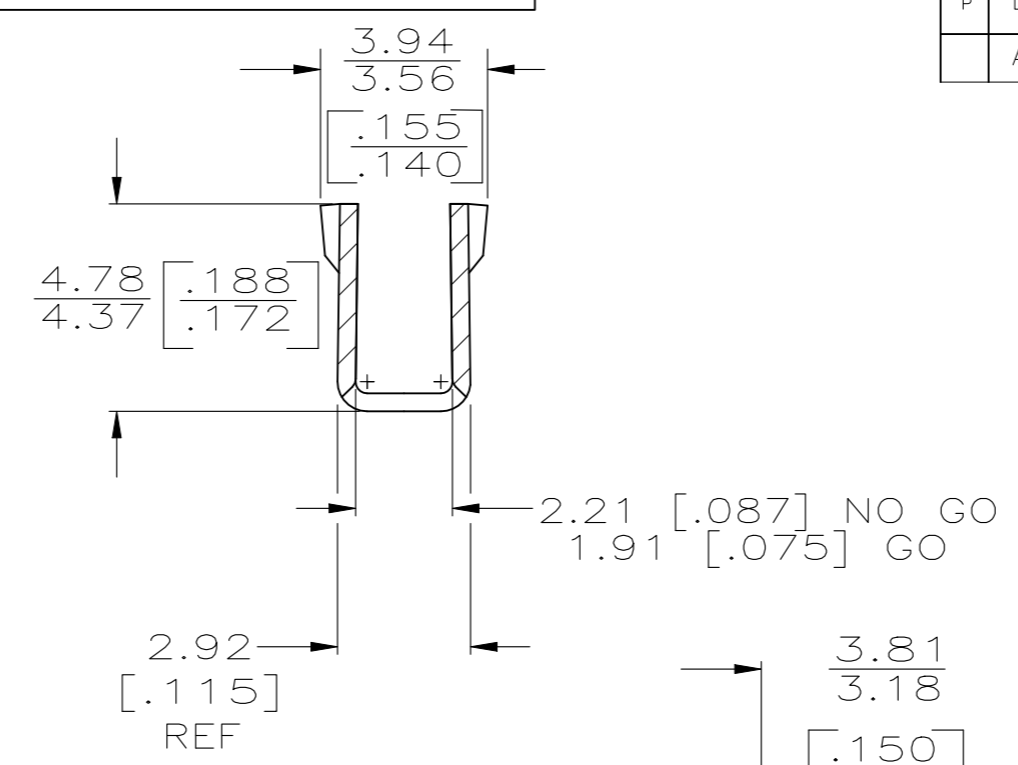
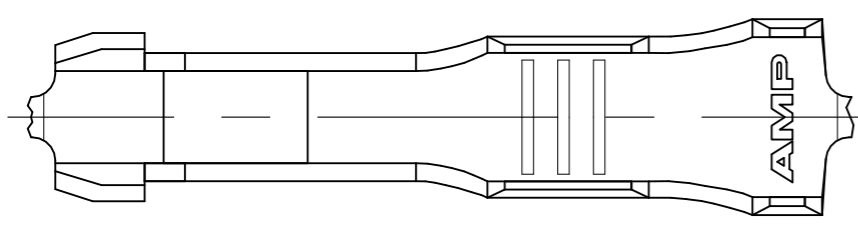
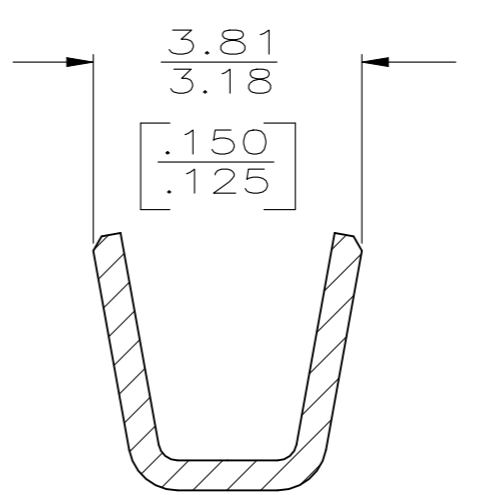


THIS DRAWING IS UNPUBLISHED. RELEASED FOR PUBLICATION  
 © COPYRIGHT - By - ALL RIGHTS RESERVED.

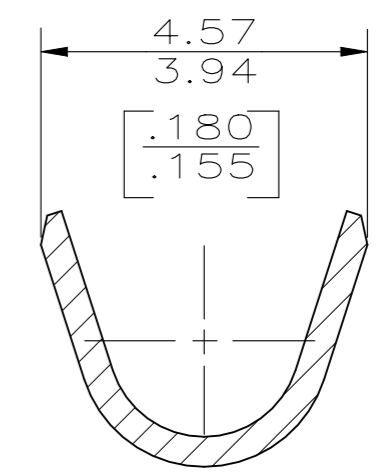
P	LTR	DESCRIPTION	DATE	DWN	APVD
	AC	62131-9 PART ADDED	22FEB2021	MB	TD



SECTION A-A



SECTION B-B  
SCALE 10:1



SECTION C-C  
SCALE 10:1

- 1 CONTINUOUS STRIP ON REEL.
- 2 WIRE SIZE IS 0.82-1.31MM<sup>2</sup> [#18-#16 AWG].
- 3 INSULATION RANGE IS 1.50-2.62 [.059-.103] DIA.
- 4 ADDITIONAL PERFORMANCE REQUIREMENTS APPLY. CONSULT TE PRODUCT ENGINEERING FOR SPECIFICS.
- 5 OBSOLETE PARTS: OBSOLETE CIS STREAMLINING PER D.RENAUD/D.SINISI
- 6 QTY/REEL : 8500 PCS
- 7 QTY/REEL : 17000 PCS

0.406±0.025  
[.016±.001]

5 OBSOLETE

MATERIAL	FINISH	PART NO
H03 TIN-BRASS.	POST TIN PLATED	7 62131-9
H03 TIN-BRASS.	POST TIN PLATED	6 6-62131-3
H03 TIN-BRASS.	-	6 62131-8
COPPER ALLOY	POST TIN PLATED	4 62131-7
H03 PHOS BRONZE	POST TIN PLATED	4 7 62131-6
H03 TIN-BRASS.	-	7 62131-5
H03 TIN-BRASS.	POST TIN PLATED	7 62131-3

THIS DRAWING IS A CONTROLLED DOCUMENT.		DWN PHILLIP M FORTNEY 20/JAN/95	TE Connectivity	
		CHK JEFF R RUTH 20/JAN/95		
DIMENSIONS: mm [INCHES]	TOLERANCES UNLESS OTHERWISE SPECIFIED:	APVD R KUZO 20JAN95	NAME RECEPTACLE, CLUSTER PIN, 2.29 [.090] DIA	
	0 PLC ± -	PRODUCT SPEC 108-2008	RESTRICTED TO	
	1 PLC ± -	APPLICATION SPEC 114-2019	SIZE A3	CAGE CODE 00779
MATERIAL SEE TABLE	FINISH SEE TABLE	WEIGHT -	DRAWING NO C-62131	SCALE 4:1
CUSTOMER DRAWING			SHEET 1 OF 1	REV AC

单击下面可查看定价，库存，交付和生命周期等信息

[>>TE Connectivity\(泰科\)](#)