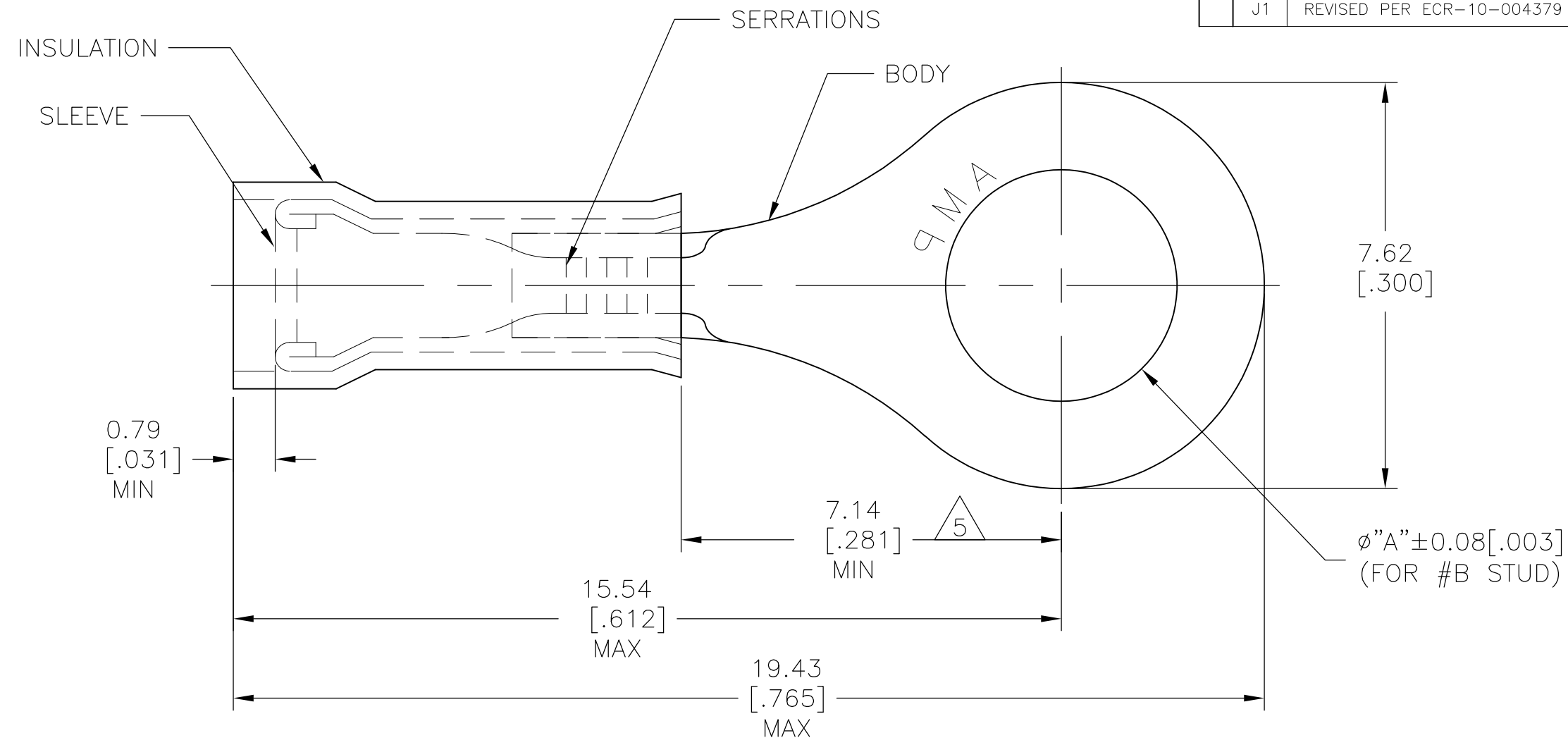


THIS DRAWING IS UNPUBLISHED. RELEASED FOR PUBLICATION
 © COPYRIGHT BY TYCO ELECTRONICS CORPORATION. ALL INTERNATIONAL RIGHTS RESERVED.

LOC	DIST	REVISIONS					
G	14	P	LTR	DESCRIPTION	DATE	DWN	APVD
			J1	REVISED PER ECR-10-004379	22MAR10	HMR	JR



- 1 SUPERSEDED BY 52124-1
- 2 MILITARY RANGE: 26-24
COMMERCIAL RANGE: 26-22
- 3 FOR 1.27[.050] TO 2.08[.082]
WIRE INSULATION DIA
- 4 TONGUE MATERIAL THK
0.46±0.05[.018±.002]
- 5 APPLIES FROM EDGE OF METAL
BARREL TO CENTERLINE OF STUD HOLE.

OBSOLETE	#10	.197	1	WIRE TERMINAL	52124-3	BODY: COPPER ASTM-B152 TIN PL ASTM-B545 SLEEVE: COPPER ASTM-B152 TIN PL ASTM-B545 INSULATION: NYLON ASTM-D4066 TYPE I COLOR: YELLOW	52124-1
	#8	.171	1		52124-2		52124
	"B"	"A"	QTY		DESCRIPTION		PART NO ON TAPE

THIS DRAWING IS A CONTROLLED DOCUMENT.

DIMENSIONS: mm [INCHES]	TOLERANCES UNLESS OTHERWISE SPECIFIED:	DWN RAGHAVENDRA 22MAR10	Tyco Electronics Corporation Harrisburg, PA 17105-3608
	0 PLC ± -	CHK JEFF RUTH 22MAR10	
	1 PLC ± -	APVD TOM MICHIELUTTI 22MAR10	
	2 PLC ± -	PRODUCT SPEC	
	3 PLC ± 0.20 [.008]	NAME	TERMINAL PIDG - NYLON - RING TONGUE WIRE SIZE: 26-22
	4 PLC ± -	APPLICATION SPEC	SIZE
	ANGLES ± 0° 30'	WEIGHT	CAGE CODE
MATERIAL SEE TABLE	FINISH SEE TABLE	CUSTOMER DRAWING	DRAWING NO
			RESTRICTED TO
			SCALE 10:1
			SHEET 1 OF 1
			REV J1

单击下面可查看定价，库存，交付和生命周期等信息

[>>TE Connectivity\(泰科\)](#)