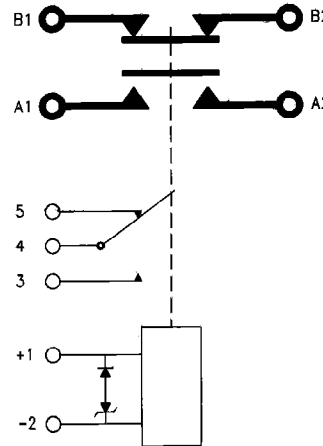
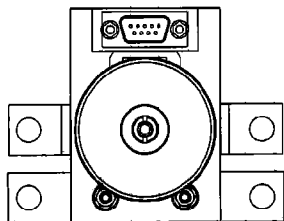
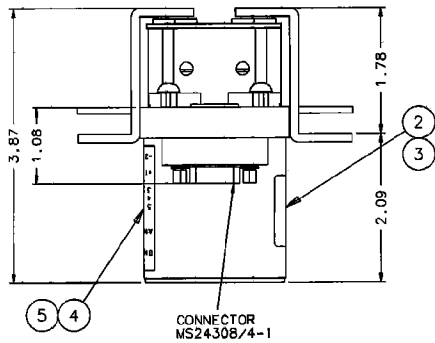
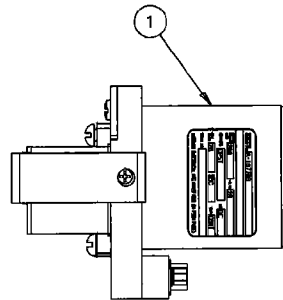
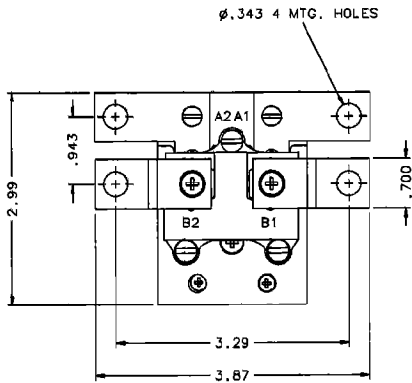


A-1077BB

REV	DESCRIPTION	RELEASED	DATE	APPROVED
D 47467	ADDED DETAIL TO NAMEPL. SCHE. AND A VIEW		02/08/21	CC
E D036-02	ADDED TIMES TO DWG		02/09/19	CC
F D585-03	3.29 WAS 3.296; 3.87 WAS 3.872		03/06/19	CC



CONSTRUCTION GASKET SEALED, SILASTIC SEALED

MAIN CONTACTS
 CONFIGURATION DPST 1N.O., 1N.C. (DOUBLE BREAK)
 VOLTAGE (NOM.) 28 VDC
 RUPTURE 2000 AMP
 INRUSH 1000 AMP

AUXILIARY CONTACTS
 CONFIGURATION S.P.D.T.
 VOLTAGE 28 VDC.
 CURRENT RES. 10 AMP

COIL DATA
 DUTY CYCLE CONTINUOUS
 OPERATE VOLTAGE 22-29 VDC
 PICKUP VOLTAGE 18 VDC
 DROPOUT VOLTAGE .5-7 VDC
 RES AT 25°C 50 OHM ±10
 OPERATE TIME 45 mSEC MAX AT 28 VDC
 RELEASE TIME 25 mSEC MAX AT 28 VDC
 BOUNCE TIME 5 mSEC MAX AT 28 VDC

ENVIRONMENTAL DATA
 AMBIENT TEMP -55°C TO + 71°C
 LIFE ELECTRICAL 50,000 CYCLES MIN
 LIFE MECHANICAL 100,000 CYCLES MIN
 WEIGHT MAX 1 LB 15 OZ.

5	1	39528-051	OVERLAY - SCHEMATIC			
4	1	45657-001	SCHEMATIC			
3	1	39529-001	OVERLAY			
2	1	16043-128	PLATE - NAME			
1	1	33502-060	CONTACTOR ASSEMBLY - PRIMARY			
FIG NO	QTY REQD	PART OR IDENTIFYING NO	NOMENCLATURE OR DESCRIPTION	FSM NO	DRAWING OR SPECIFICATION	MATERIAL OR NOTE
UNLESS OTHERWISE SPECIFIED, DIMENSIONS ARE IN INCHES TOLERANCES OR					Hartmatt Division • 175 N. DIAMOND STREET • MANSFIELD, OHIO 44903	
2 IN. DEC. 13 IN. DEC. ANGLES					CONTACTOR - D.P.S.T., 1NO.1NC 200 AMP, 28 VDC	
±.06 ±.010 ±1*			DR BY	RSS	02/09/20	
MATERIAL			CHK BY	CC	03/07/01	
			ENGR	RSS	03/07/19	
			MFG	TH	03/16/19	
			SIZE	CODE IDENT	DWG NO.	
			B	74063	A-1077BB	
			SCALE	NONE	SHEET	
			REF TYCO P/N 1-1616916-8			

单击下面可查看定价，库存，交付和生命周期等信息

[>>TE Connectivity\(泰科\)](#)