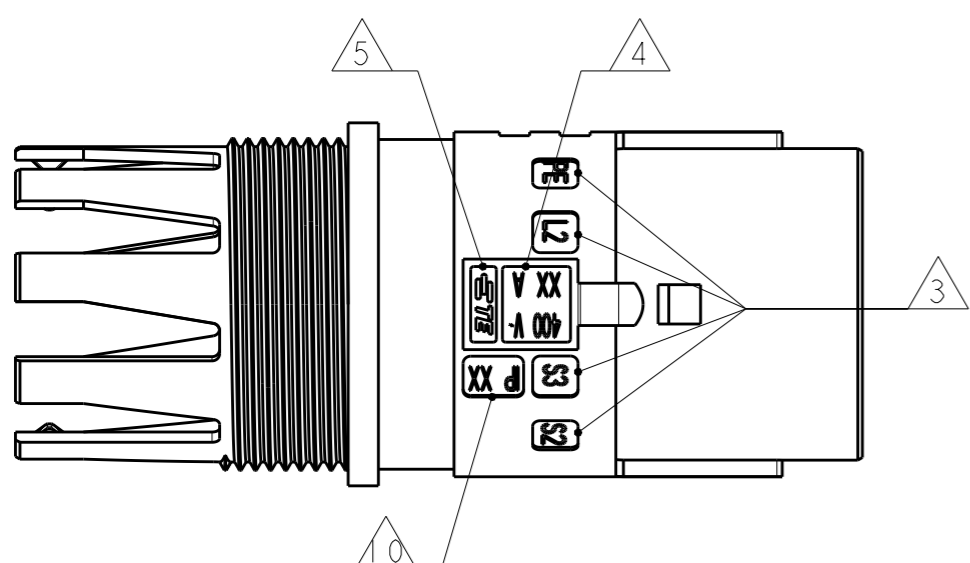
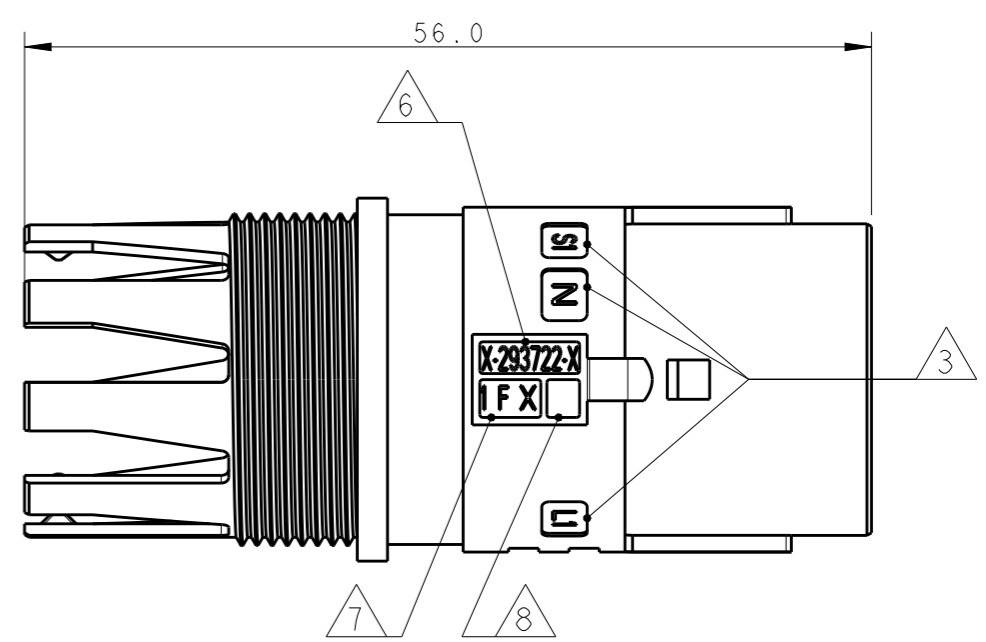
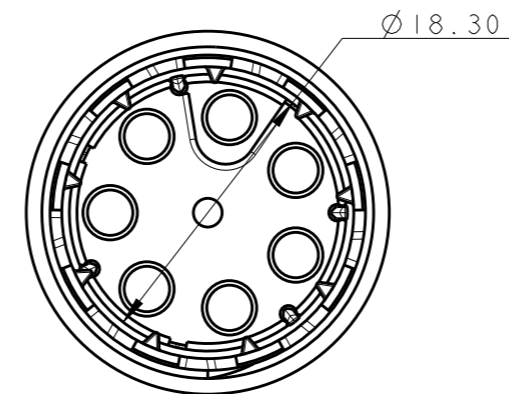
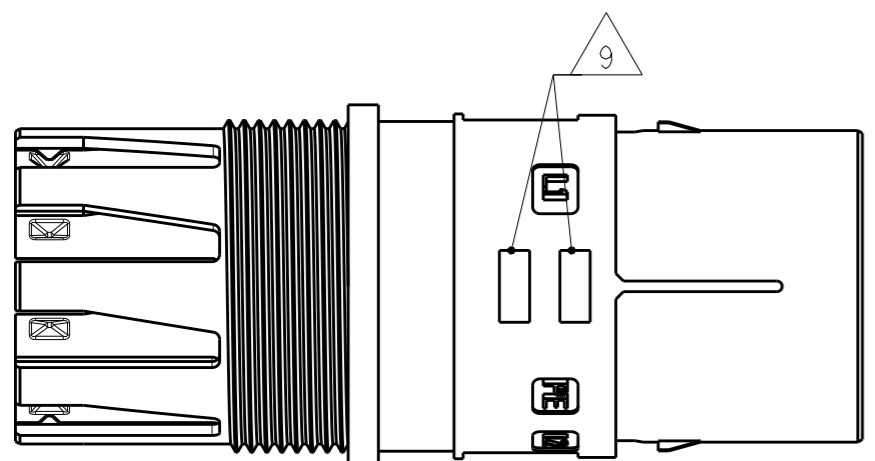
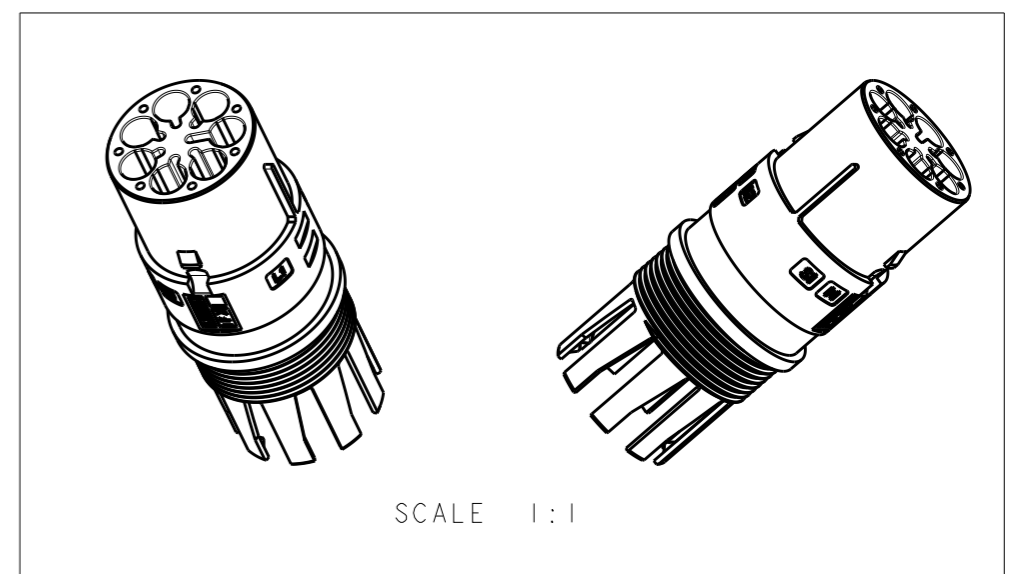
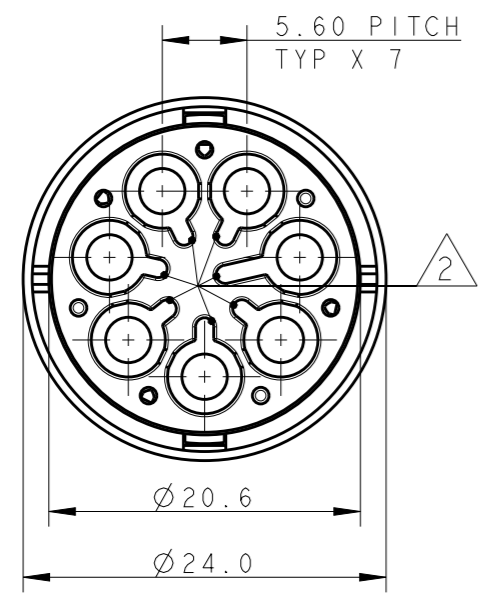


THIS DRAWING IS UNPUBLISHED. RELEASED FOR PUBLICATION 2011
 © COPYRIGHT 2011 BY - ALL RIGHTS RESERVED.

LOC	DIST	REVISIONS			
P	LTR	DESCRIPTION	DATE	DWN	APVD
	3	UPDATED	22JUL2013	MZ	JC
	4	REVISED LATCH SHAPE	02AUG2013	KR	JC
	A	PARTS RELEASED FOR PRODUCTION	13NOV2013	MZ	JC
	AI	REVISED PER ECR-18-006945	30MAY2018	NG	MZ



- NOTES:
- 1 MATERIAL: PA GF (NATURAL AND BLACK COLOUR)
 - 2 ALL POLARIZATION KEYS SHOWN FOR REF ONLY
 - 3 WAYS I.D.
 - 4 VOLTAGE AND CURRENT RATINGS
 - 5 TE LOGO
 - 6 TE PART NUMBER
 - 7 DATA CODE AND CAVITY I.D.
 - 8 AREA FOR AGENCIES APPROVAL LOGO
 - 9 VISUAL INDICATOR FOR PE CONDUCTOR
 - 10 IP CODE



THIS DRAWING IS A CONTROLLED DOCUMENT.		DWN A. BERNARDI 31MAR2011		TE Connectivity	
DIMENSIONS: mm		CHK M. ZUCCA 31MAR2011			
		TOLERANCES UNLESS OTHERWISE SPECIFIED:		NAME PIN HSG 7 POLES FREE HANGING NECTOR M-LINE UNSEALED VERSION	
		0 PLC ±- 1 PLC ±0.3 2 PLC ±0.20 3 PLC ±- 4 PLC ±- ANGLES ±3°		DRAWING NO C-293722	
MATERIAL NOTE 1		FINISH -		RESTRICTED TO -	
		Customer Drawing		SCALE 2:1 SHEET 1 OF 2 REV AI	

THIS DRAWING IS UNPUBLISHED.

RELEASED FOR PUBLICATION

2011

© COPYRIGHT 2011 BY -

ALL RIGHTS RESERVED.

LOC	DIST	REVISIONS			
P	LTR	DESCRIPTION	DATE	DWN	APVD
	-	SEE SHEET 1	-	-	-

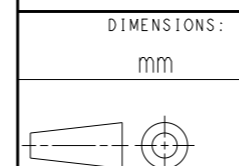
POLARIZATION TYPES

POLARIZATION TYPE "A"	POLARIZATION TYPE "B"	POLARIZATION TYPE "C"
PNs 0-293722-1 AND 1-293722-1	PNs 0-293722-2 AND 1-293722-2	PNs 0-293722-3 AND 1-293722-3
POLARIZATION TYPE "D"	POLARIZATION TYPE "E"	
PNs 0-293722-4 AND 1-293722-4	PNs 0-293722-5 AND 1-293722-5	

TABLE 1

OBSOLETE		E	BLACK	PIN HSG 7 POLES FREE HANGING NECTOR* M-LINE	A	1-293722-5
		D	BLACK	PIN HSG 7 POLES FREE HANGING NECTOR* M-LINE	A	1-293722-4
		C	BLACK	PIN HSG 7 POLES FREE HANGING NECTOR* M-LINE	A	1-293722-3
		B	BLACK	PIN HSG 7 POLES FREE HANGING NECTOR* M-LINE	A	1-293722-2
		A	BLACK	PIN HSG 7 POLES FREE HANGING NECTOR* M-LINE	A	1-293722-1
OBSOLETE		E	NATURAL	PIN HSG 7 POLES FREE HANGING NECTOR* M-LINE	A	0-293722-5
		D	NATURAL	PIN HSG 7 POLES FREE HANGING NECTOR* M-LINE	A	0-293722-4
		C	NATURAL	PIN HSG 7 POLES FREE HANGING NECTOR* M-LINE	A	0-293722-3
		B	NATURAL	PIN HSG 7 POLES FREE HANGING NECTOR* M-LINE	A	0-293722-2
		A	NATURAL	PIN HSG 7 POLES FREE HANGING NECTOR* M-LINE	A	0-293722-1
NOTE	POL. KEYING	COLOUR	DESCRIPTION	REV.	P/N	

THIS DRAWING IS A CONTROLLED DOCUMENT.



MATERIAL NOTE 1

DIMENSIONS:		TOLERANCES UNLESS OTHERWISE SPECIFIED:	
mm			
0 PLC	±		
1 PLC	±0.3		
2 PLC	±0.20		
3 PLC	±		
4 PLC	±		
ANGLES	±3°		
FINISH	-		

DWN A. BERNARDI 31MAR2011
 CHK M. ZUCCA 31MAR2011
 APVD G. TURCO 31MAR2011

PRODUCT SPEC -
 APPLICATION SPEC -
 WEIGHT -



NAME PIN HSG 7 POLES FREE HANGING NECTOR M-LINE UNSEALED VERSION

SIZE	CAGE CODE	DRAWING NO	RESTRICTED TO
A3	00779	C-293722	-

Customer Drawing SCALE 2:1 SHEET 2 OF 2 REV A1

单击下面可查看定价，库存，交付和生命周期等信息

[>>TE Connectivity\(泰科\)](#)