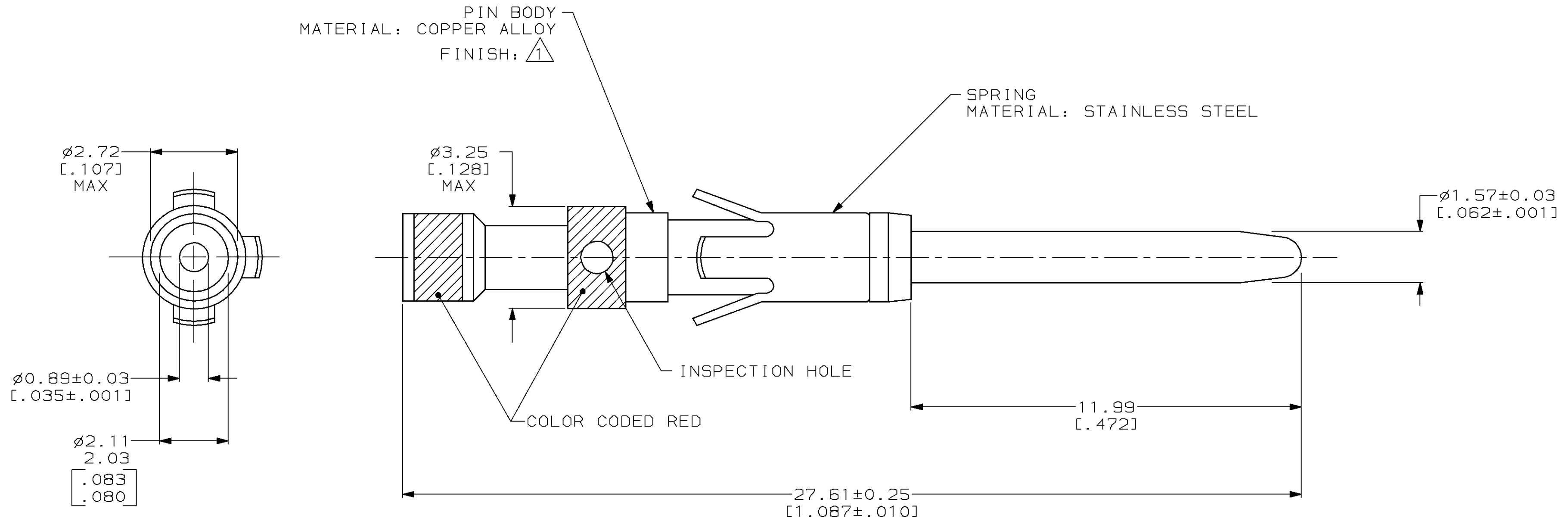


THIS DRAWING IS UNPUBLISHED. RELEASED FOR PUBLICATION
 BY AMP INCORPORATED. ALL RIGHTS RESERVED.

LOC		DIST		REVISIONS			
P	LTR	DESCRIPTION	DATE	DWN	APVD		
FT	8	S	REDRAWN W/O CHANGE PER EC 0320-98-96	20 NOV 97	-	-	



1 0.76 μ m [.000030] MIN GOLD OVER 1.27 μ m [.000050] MIN NICKEL.

201334-1
 PART NUMBER

THIS DRAWING IS A CONTROLLED DOCUMENT.		DWN	20 NOV 97	AMP Incorporated Harrisburg, PA 17105-3608			
DIMENSIONS:		CHK	09 DEC 97				
mm [INCHES]		APVD	16 DEC 97				
		NAME	G. STEINHAUER				
TOLERANCES UNLESS OTHERWISE SPECIFIED:		PRODUCT SPEC	-	CONTACT ASSEMBLY, PIN, #16, 24-28AWG, TYPE II			
0 PLC	±-	APPLICATION SPEC	-	SIZE	CAGE CODE	DRAWING NO	RESTRICTED TO
1 PLC	±-	WEIGHT	-	A2	00779	201334	-
2 PLC	±0.13 [.005]	CUSTOMER DRAWING		SCALE	10:1	SHEET	1 OF 1
3 PLC	±-			REV			5
4 PLC	±-						
ANGLES	±-						
FINISH	SEE CALLOUTS						

单击下面可查看定价，库存，交付和生命周期等信息

[>>TE Connectivity\(泰科\)](#)