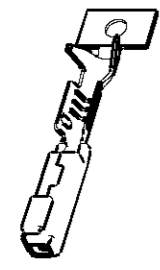
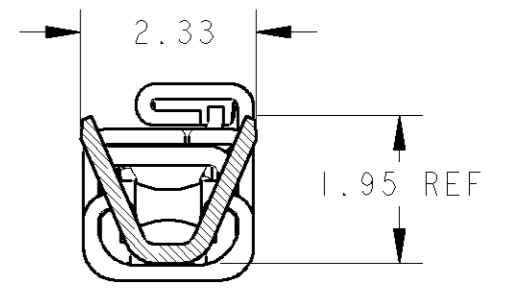
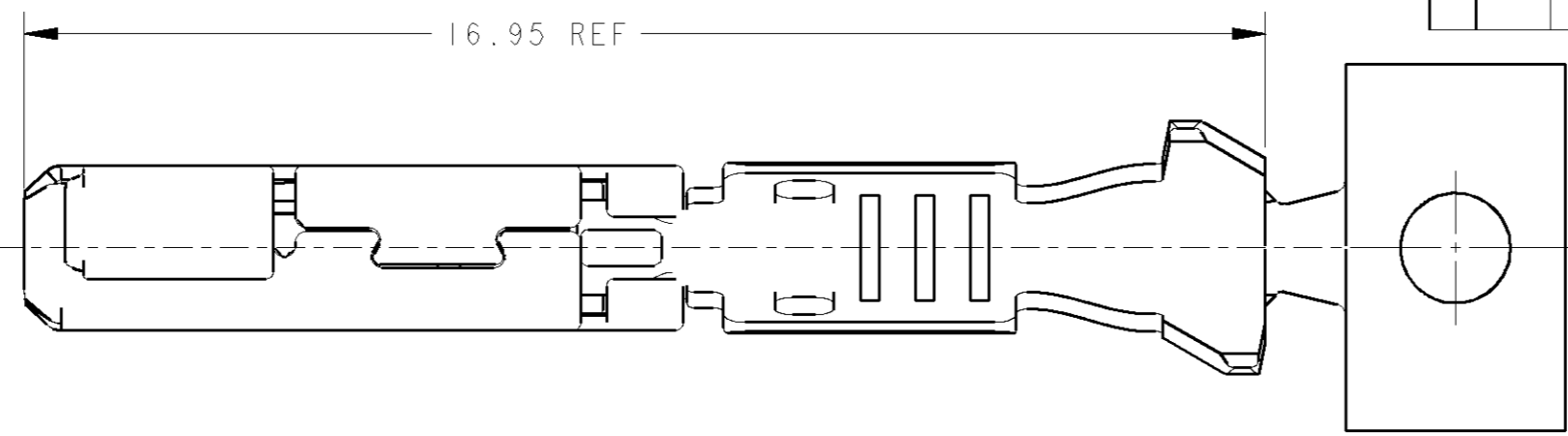


THIS DRAWING IS UNPUBLISHED. RELEASED FOR PUBLICATION 20
 © COPYRIGHT 20 BY TYCO ELECTRONICS CORPORATION. ALL RIGHTS RESERVED.

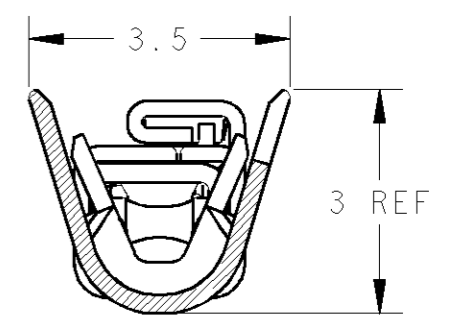
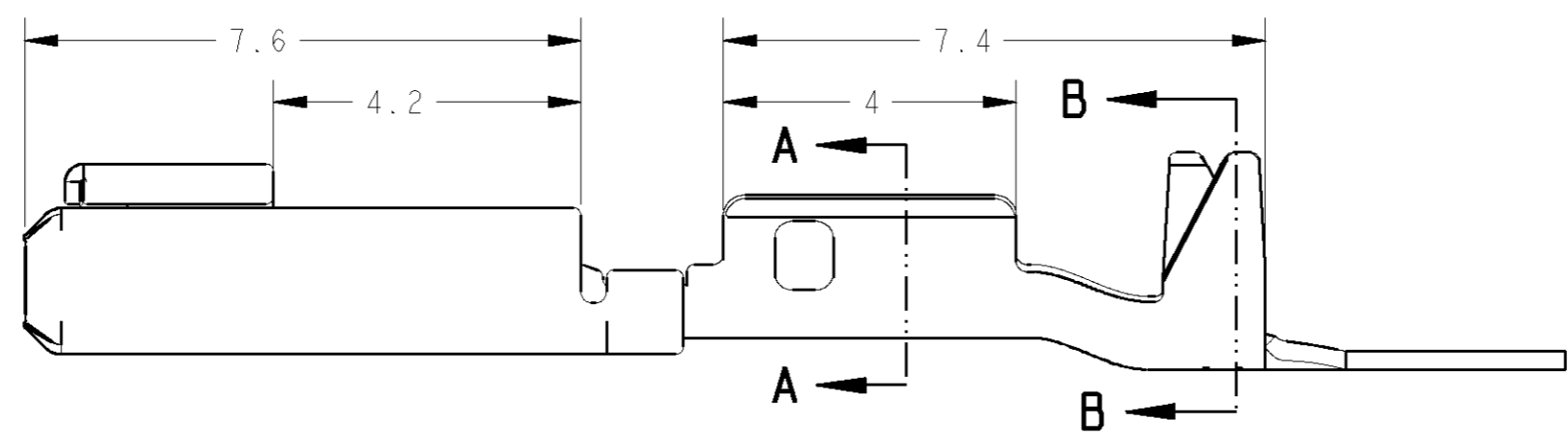
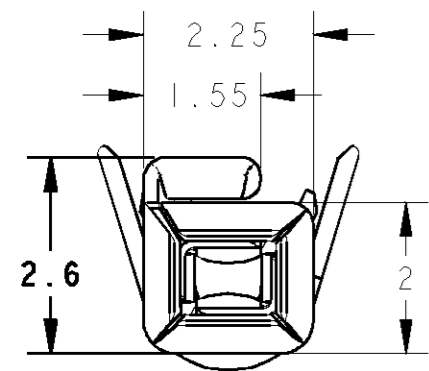
LOC	DIST	REVISIONS						
J	-	P	LTR	DESCRIPTION	ECN	DATE	DWN	APVD
			0	RELEASED	FJA0-0709-03	26NOV03	Y.N	Y.F
			A	REVISED	ECR-10-005857	20APR10	SF	KB



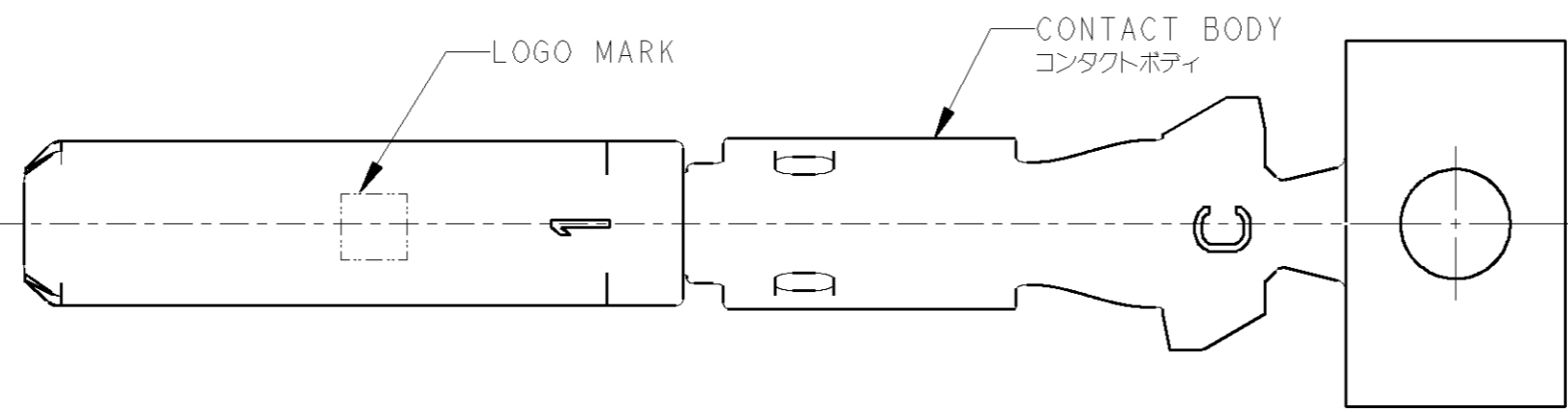
2:1



A-A



B-B



1. APPLICATOR FEED : 9
 1. アプリケーター送りピッチ : 9

BRASS PRE-TIN	COPPER ALLOY PRE-TIN	1612775-1
CONTACT FERRULE コンタクトフェール	CONTACT BODY コンタクトボディ	PRODUCT NO 製品番号
MATERIAL / FINISH 材料 / 仕上		

WIRE RANGE 包合電線断面積	0.3 mm ²	INSULATION DIA 被覆外径	φ1.8~2.2
-----------------------	---------------------	------------------------	----------

THIS DRAWING IS A CONTROLLED DOCUMENT FOR TYCO ELECTRONICS CORPORATION IT IS SUBJECT TO CHANGE AND THE CONTROLLING ENGINEERING ORGANIZATION SHOULD BE CONTACTED FOR THE LATEST REVISION.		DWN	20-Apr-10
DIMENSIONS: 単位: 概 mm		CHK	20-Apr-10
		APVD	20-Apr-10
TOLERANCES UNLESS OTHERWISE SPECIFIED: 一般公差 ±0.2 0-PLC ± 1-PLC ±0.1 2-PLC ±0.01 3-PLC ±0.001 4-PLC ±0.0001 ANGLES ±1.00'		PRODUCT SPEC 製品規格	
MATERIAL 材料	FINISH 仕上	APPLICATION SPEC 取付適用規格	114-5278
SEE TABLE	SEE TABLE	WEIGHT	0.31g
		CUSTOMER DRAWING	

Tyco Electronics Corporation Kawasaki, Japan		NAME 名称	REC CONTACT ASSY C RANGE CLEAN BODY 040 CONNECTOR
SIZE	CAGE CODE	DRAWING NO 番号	RESTRICTED TO
A3	00779	1612775	-
SCALE 尺度	SHEET	OF	REV
10:1	1	1	A

单击下面可查看定价，库存，交付和生命周期等信息

[>>TE Connectivity\(泰科\)](#)