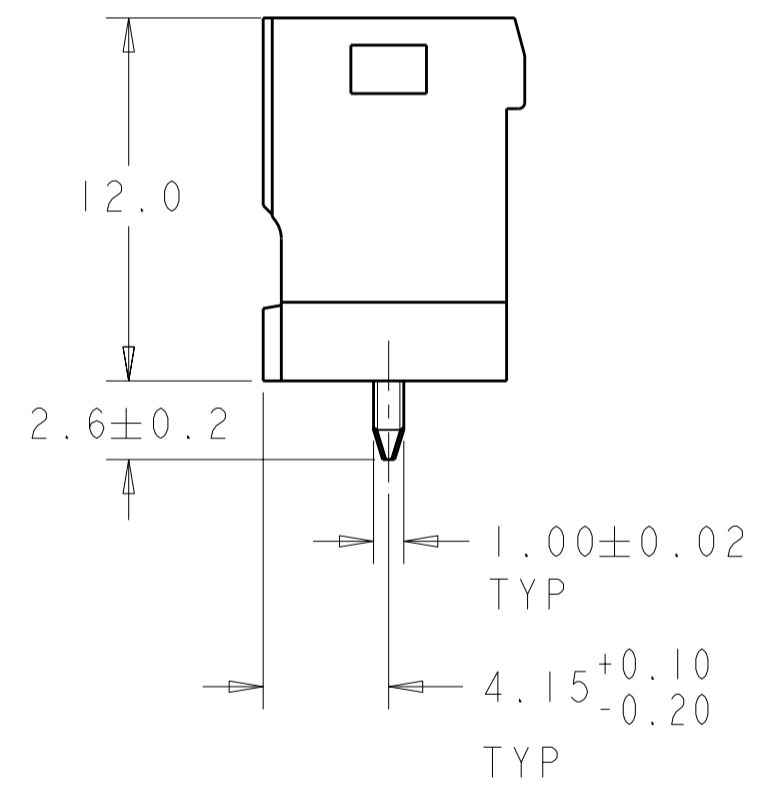
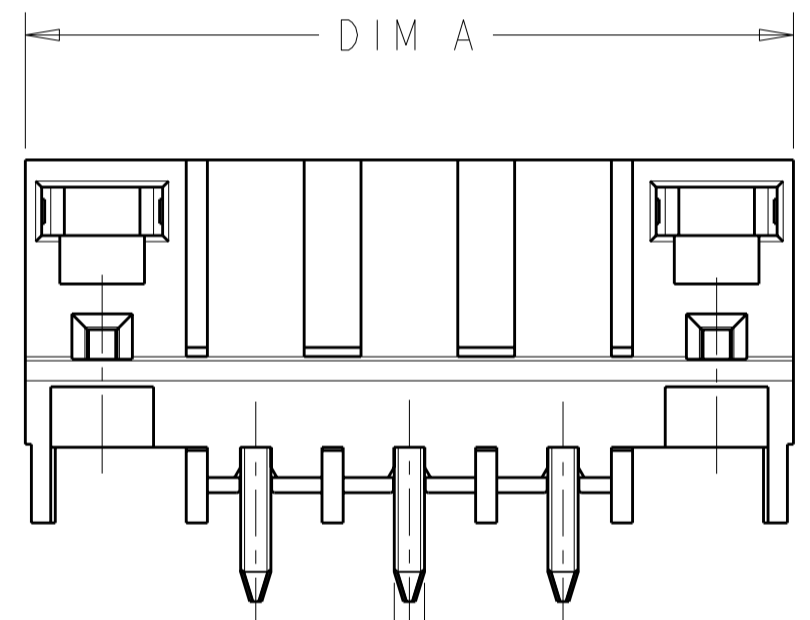
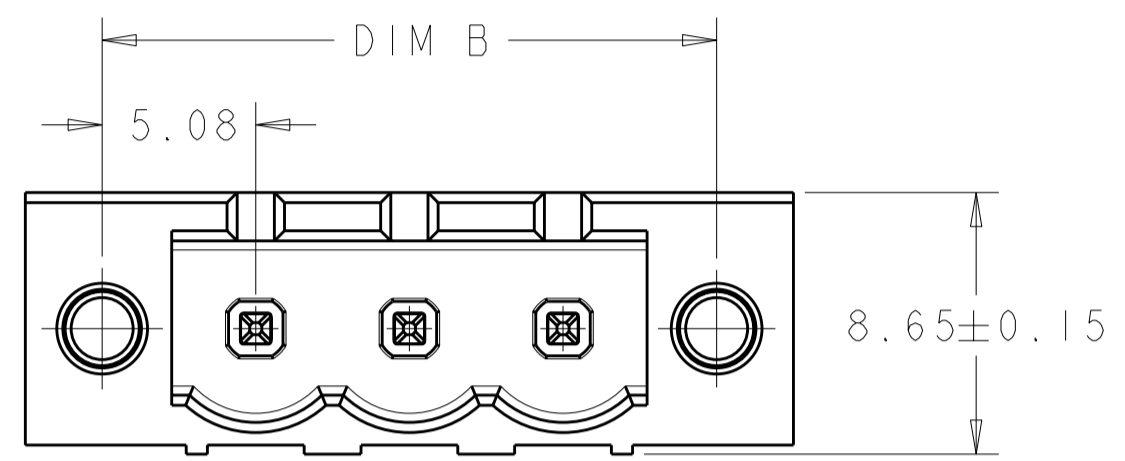


THIS DRAWING IS UNPUBLISHED. RELEASED FOR PUBLICATION 20  
 © COPYRIGHT 20 BY TYCO ELECTRONICS CORPORATION. ALL RIGHTS RESERVED.

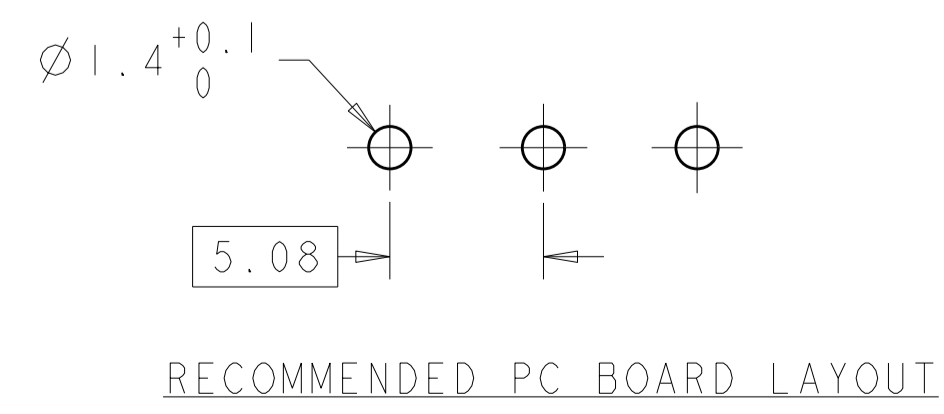
LOC		DIST		REVISIONS			
P	LTR	DESCRIPTION	DATE	DWN	APVD		
	1	-	10DEC2008	SS	CR		



- 1. MATERIALS:  
 HOUSING: PA 6-6, UL 94V-0, COLOR: DK GRAY  
 TERMINAL: PHOSPHOR BRZ, TIN PLATED
- 2. SUITABLE FOR 1.6-2.4mm PC BOARD THICKNESS.
- 3. RECOGNIZED UNDER THE COMPONENT PROGRAM OF UNDERWRITERS LABORATORIES INC. FILE NO. E60677.
- 4. IMQ CERTIFICATE WITH SURVEILLANCE ON CONFORMITY WITH IEC 998-1/998-2-1.
- 5. NOT CUMULATIVE TOLERANCE.
- 6. TE LOGO TO APPEAR ON HOUSING, LOCATION OPTIONAL WHERE SPACE PERMITS.
- 7. STANDARD PACKAGE.
- 8. TAPE AND REEL PACKAGE.

THIS PRINT IS  
**PRELIMINARY**  
 THE INFORMATION CONTAINED IN THIS DOCUMENT IS CONFIDENTIAL AND PROPRIETARY TO TYCO ELECTRONICS  
 DO NOT REPRODUCE OR DISTRIBUTE  
 DESIGN IS SUBJECT TO CHANGE WITHOUT NOTICE

8	20.32	25.40	3	2-1986486-3
7	20.32	25.40	3	1986486-3
NOTES	DIM B	DIM A	NO OF POS	PART NUMBER



DIMENSIONS:		TOLERANCES UNLESS OTHERWISE SPECIFIED:		DWN		Tyco Electronics	
mm		0 PLC	±	S. SCHLEGEL	10DEC2008	Harrisburg, PA 17105-3608	
		1 PLC	±0.3	CHK	10DEC2008	NAME	
		2 PLC	±0.25	C. RICHARD	10DEC2008	TERMINAL BLOCK HEADER ASSY, VERTICAL W/ LOCKING SCREW, FLG 5.08mm HIGH TEMP	
		3 PLC	±0.000	APVD	10DEC2008	SIZE	CAGE CODE
		4 PLC	±0.0000	C. RICHARD		A200779	C=1986486
		ANGLES	±2°	PRODUCT SPEC		DRAWING NO	RESTRICTED TO
		FINISH		APPLICATION SPEC			
MATERIAL				WEIGHT			
				CUSTOMER DRAWING		SCALE	SHEET OF REV

单击下面可查看定价，库存，交付和生命周期等信息

[>>TE Connectivity\(泰科\)](#)