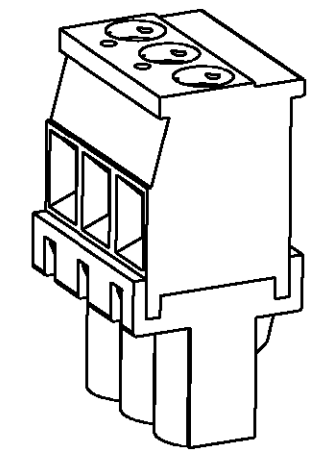
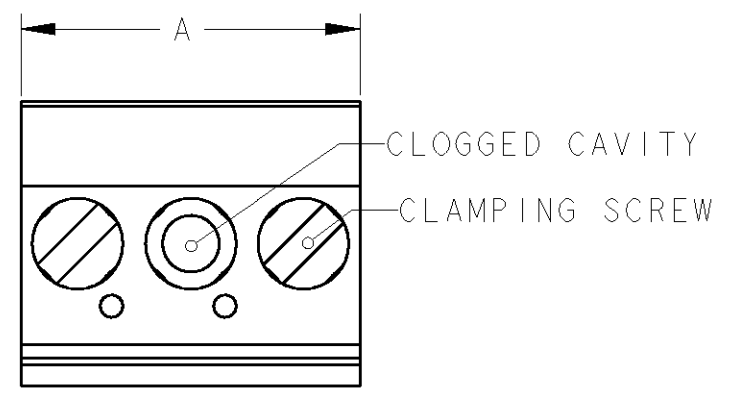


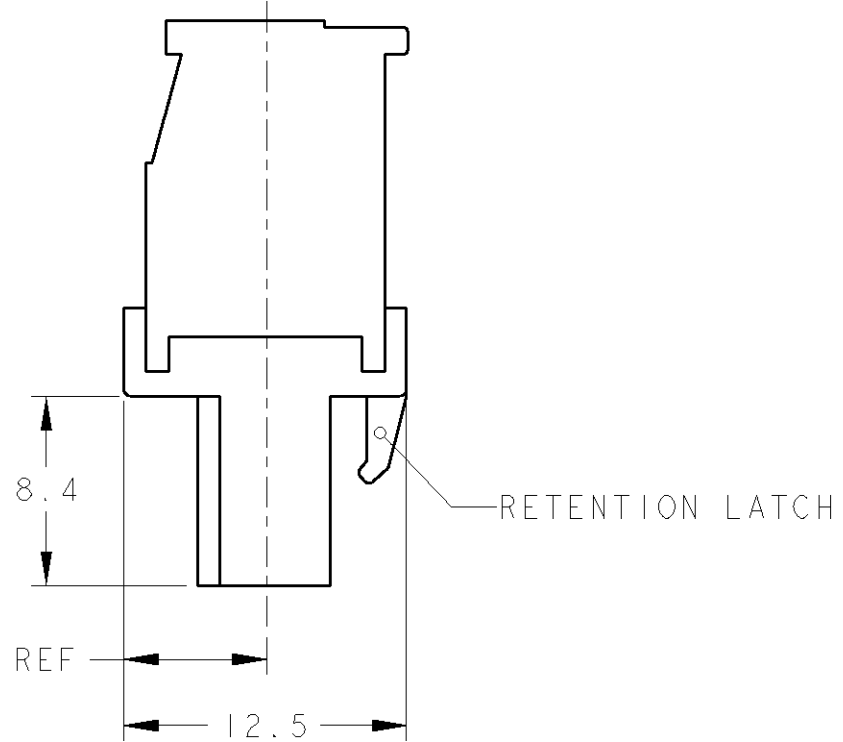
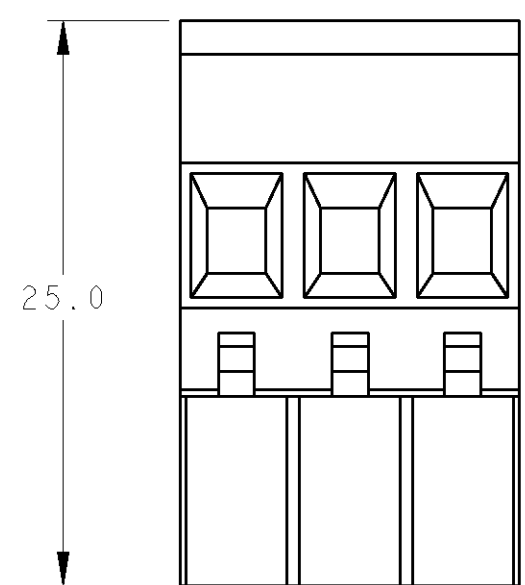
THIS DRAWING IS UNPUBLISHED. RELEASED FOR PUBLICATION 20  
 © COPYRIGHT 20 BY TYCO ELECTRONICS CORPORATION. ALL RIGHTS RESERVED.

LOC	DIST	REVISIONS			
P	LTR	DESCRIPTION	DATE	DWN	APVD
FT	0				
	B	REVISED PER 0G3B-0119-01	03JAN2002	EZ	DB

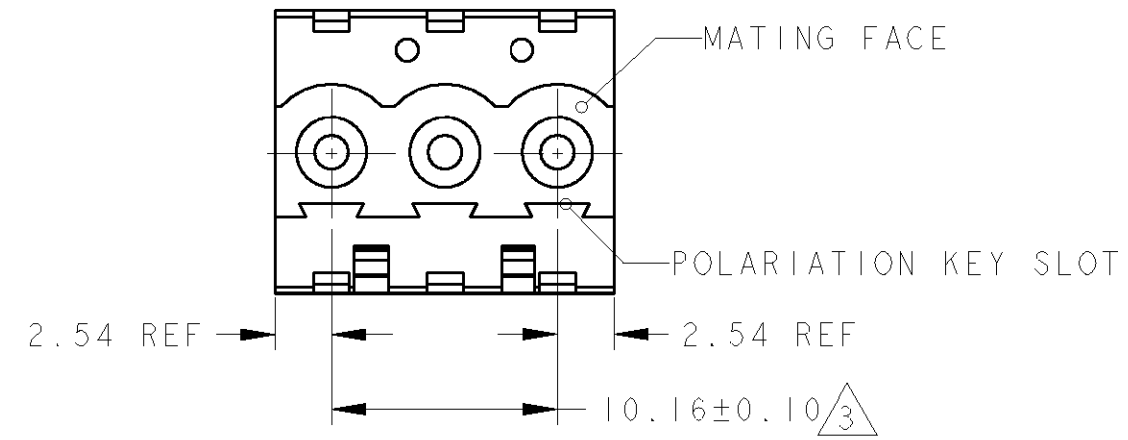


284045-2 AS SHOWN

- 1 MATERIALS AND FINISH  
 HOUSING: PA 6-6, UL 94-V0, COLOR GREEN.  
 CLAMP: BRASS, NICKEL PLATED.  
 DOUBLE SIDE CONTACT SPRING : PHOSPHOR BRONZE, TIN PLATED.  
 CLAMPING SCREW: M3, BRASS, NICKEL PLATED.
- 2 WIRE SIZE RANGE:  
 12 - 30 AWG.
- 3 NOT CUMULATIVE TOLERANCE.
- 4 SELECTIVE GOLD PLATING, 0.00076 [0.00030]



CONTACT FINISH	DIM.A	N° POS.	PART NUMBER
GOLD PLATED 4	15.24	2	1-284045-4
	127.00	13	1-284045-3
	116.84	12	1-284045-2
	106.68	11	1-284045-1
	96.52	10	1-284045-0
	86.36	9	284045-9
	76.20	8	284045-8
	66.04	7	284045-7
	55.88	6	284045-6
	45.72	5	284045-5
TIN PLATED	35.56	4	284045-4
	25.40	3	284045-3
	15.24	2	284045-2



THIS DRAWING IS A CONTROLLED DOCUMENT FOR TYCO ELECTRONICS CORPORATION  
 IT IS SUBJECT TO CHANGE AND THE CONTROLLING ENGINEERING ORGANIZATION  
 SHOULD BE CONTACTED FOR THE LATEST REVISION.

DIMENSIONS: mm	TOLERANCES UNLESS OTHERWISE SPECIFIED: 0 PLC ±- 1 PLC ±.3 2 PLC ±.25 3 PLC ±- 4 PLC ±- ANGLES ±2	DWN 03JAN2002 E. ZANOLINI CHK 03JAN2002 E. ZANOLINI APVD 03JAN2002 D. BIEVENOUR	<b>BUCHANAN</b> Tyco Electronics Harrisburg, PA 17105-3608
MATERIAL	FINISH	PRODUCT SPEC -	NAME TERMINAL BLOCK VERTICAL PLUG STACKING LEFT HAND 10.16mm PITCH
		APPLICATION SPEC -	SIZE A3 CAGE CODE 00779 DRAWING NO C-284045 RESTRICTED TO -
		WEIGHT -	SCALE 3:1 SHEET 1 OF 1 REV B

CUSTOMER DRAWING

单击下面可查看定价，库存，交付和生命周期等信息

[>>TE Connectivity\(泰科\)](#)