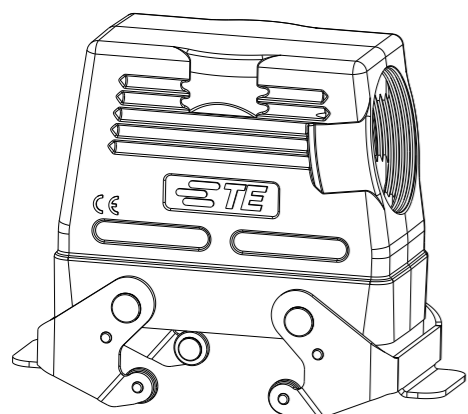
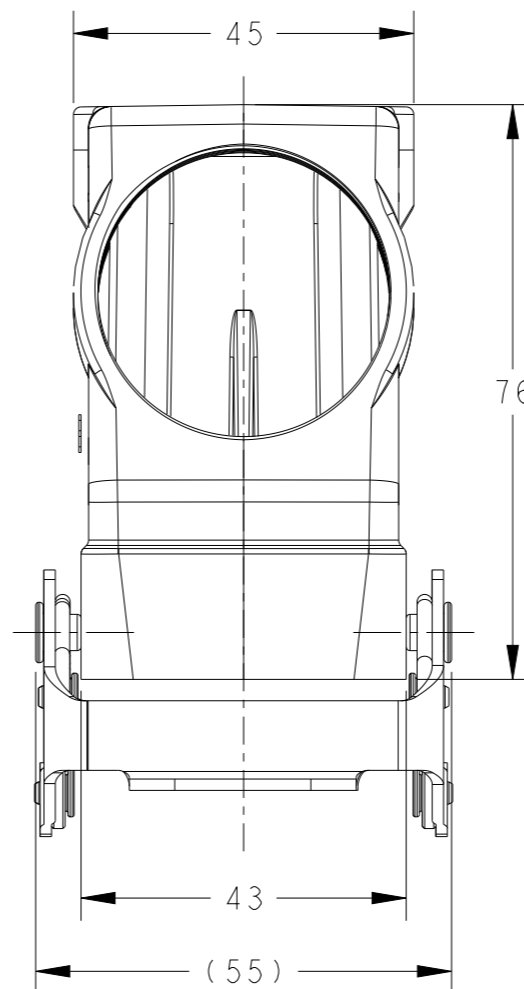
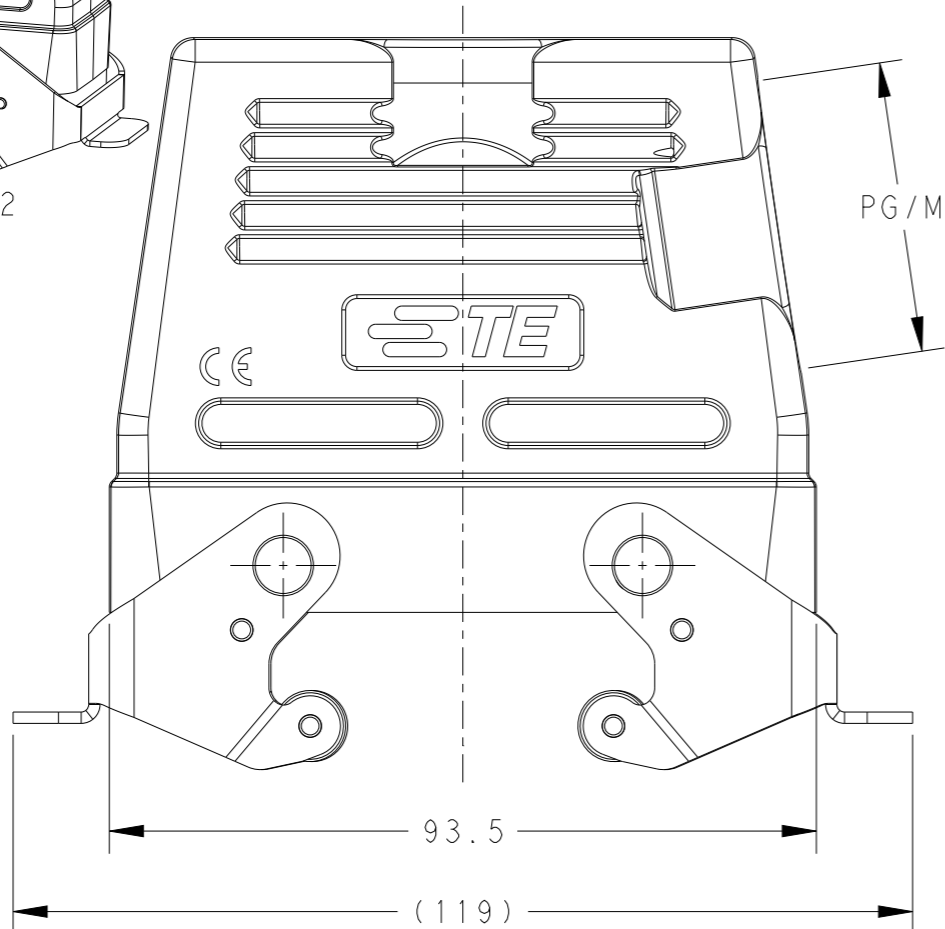


REVISIONS

P	LTR	DESCRIPTION	DATE	DWN	APVD
	A	INITIAL	19NOV2014	DW	CW
	B	ECR-20-008190	18AUG2020	WQR	CW
	B1	ECR-21-105138	29JUN2021	WQR	CW



SCALE 1:2

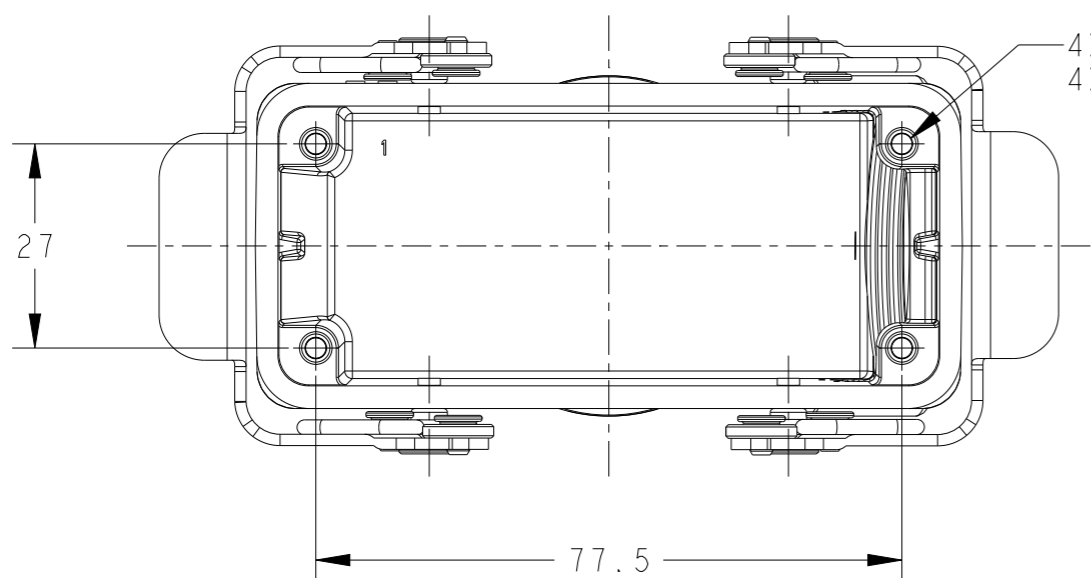


NOTES:

1. TECHNICAL CHARACTERISTICS:
 HOOD MATERIAL: DIE CAST ALUMINIUM ALLOY
 SURFACE: POWDER COATED, RAL7037
 DEGREE OF PROTECTION: IP65 (MATED)

注释:

1. 技术参数:
 上壳材料: 铝合金
 表面处理: 粉末涂层, RAL7037
 防护等级: IP65(配合)



PART NUMBER	DESCRIPTION	TYPE	THREAD PG/M
T1270163121-000	H16B-TSBHS-PG21	HIGH CONSTRUCTION	PG21
T1270163129-000	H16B-TSBHS-PG29		PG29
T1270163125-000	H16B-TSBHS-M25		M25
T1270163132-000	H16B-TSBHS-M32		M32
T1270163140-000	H16B-TSBHS-M40		M40

THIS DRAWING IS A CONTROLLED DOCUMENT.

DIMENSIONS: mm	TOLERANCES UNLESS OTHERWISE SPECIFIED: 0 PLC ±- 1 PLC ±- 2 PLC ±- 3 PLC ±- 4 PLC ±- ANGLES ±- FINISH	DWN 19NOV2014 David Wang CHK 19NOV2014 Chris Wang APVD 19NOV2014 Xiang Xu PRODUCT SPEC 108-137013 APPLICATION SPEC 114-137013 WEIGHT -	TE Connectivity NAME H16B-TSBHS-PG/M SIZE CAGE CODE DRAWING NO RESTRICTED TO A3 00779 C-T12701631XX000 -
MATERIAL -		Customer Drawing	SCALE 1:1 SHEET 1 OF 1 REV B1

单击下面可查看定价，库存，交付和生命周期等信息

[>>TE Connectivity\(泰科\)](#)