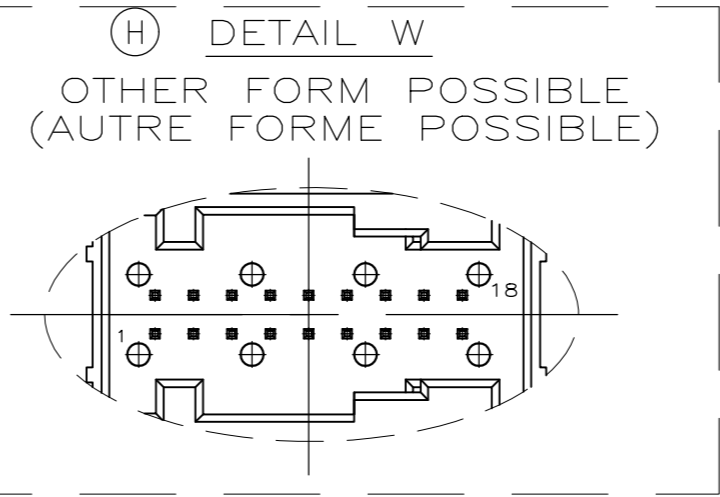
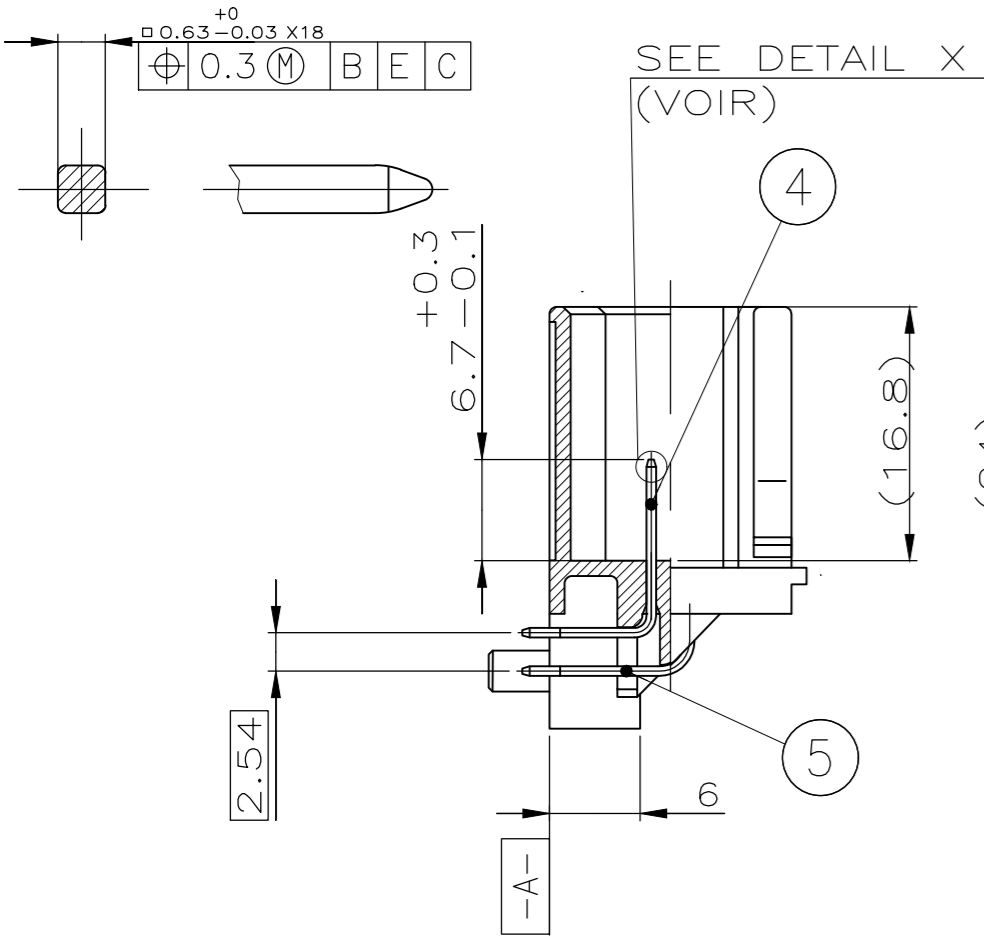


P	LTR REV	DESCRIPTION MODIFICATIONS	DATE	DWN DESS	APVD APP.
L		UPDATE THE DRAWING & ADD NEW P/N 1-1379731-1	03MAR2020	RSR	J.L

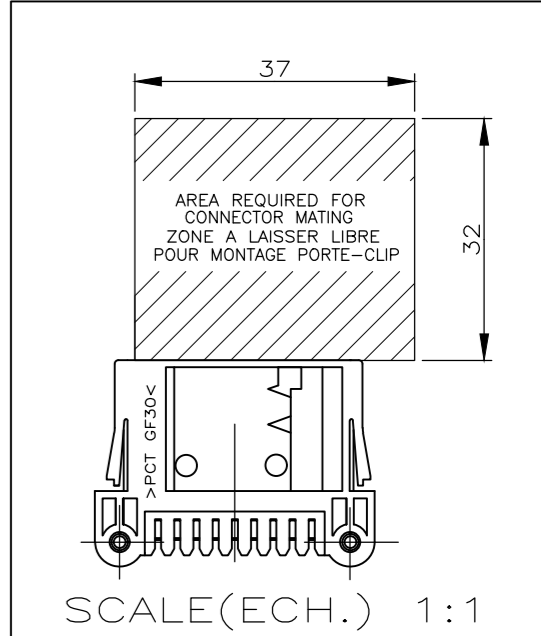
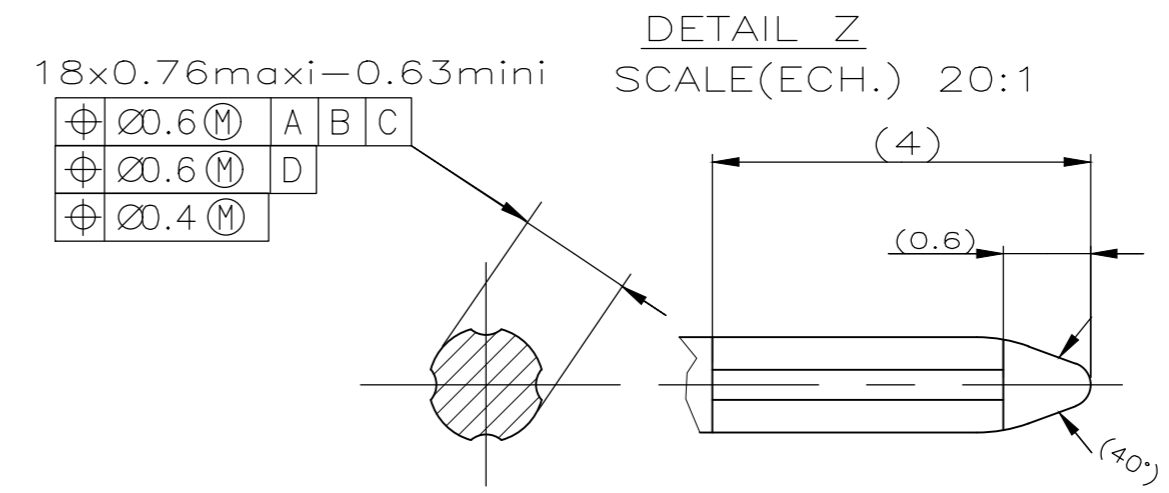
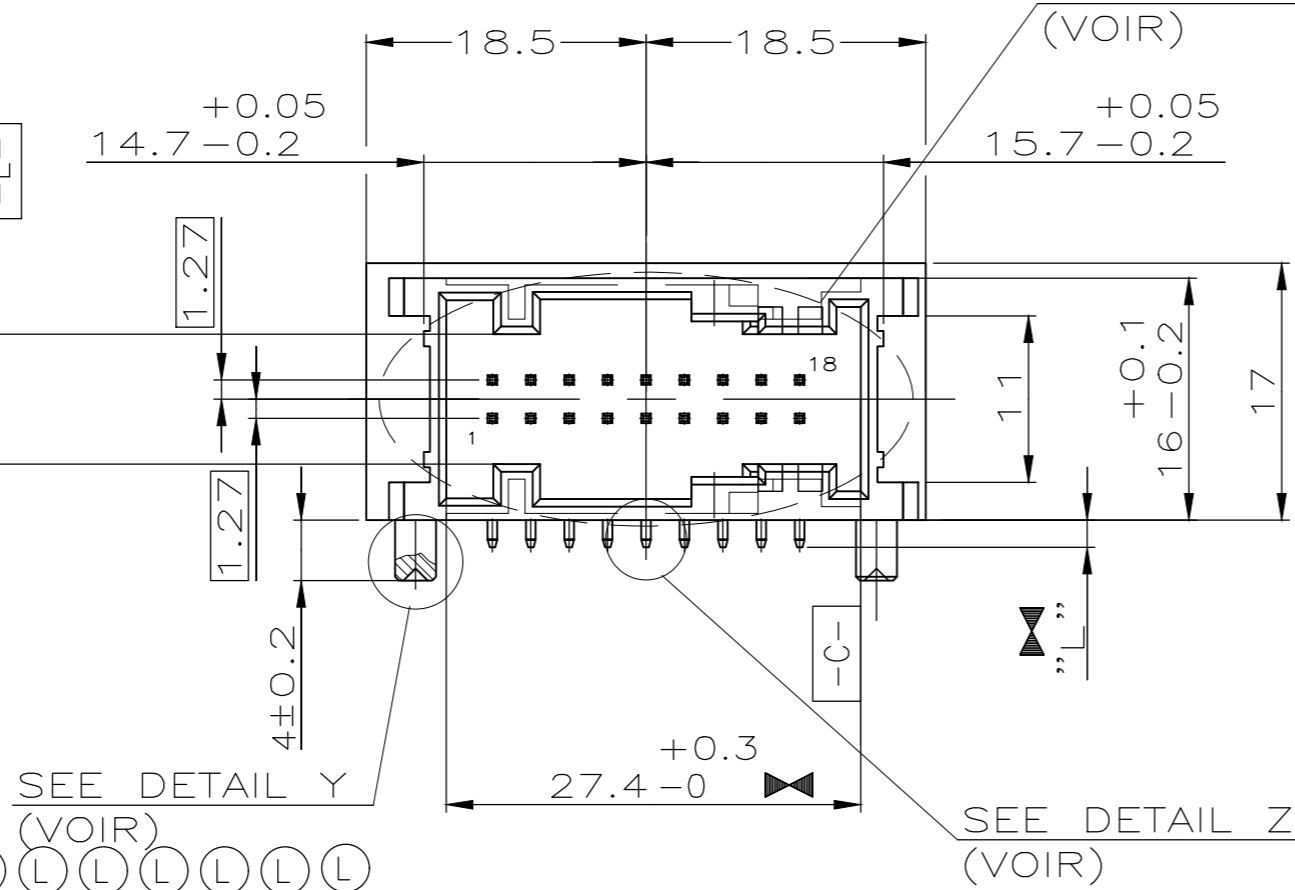
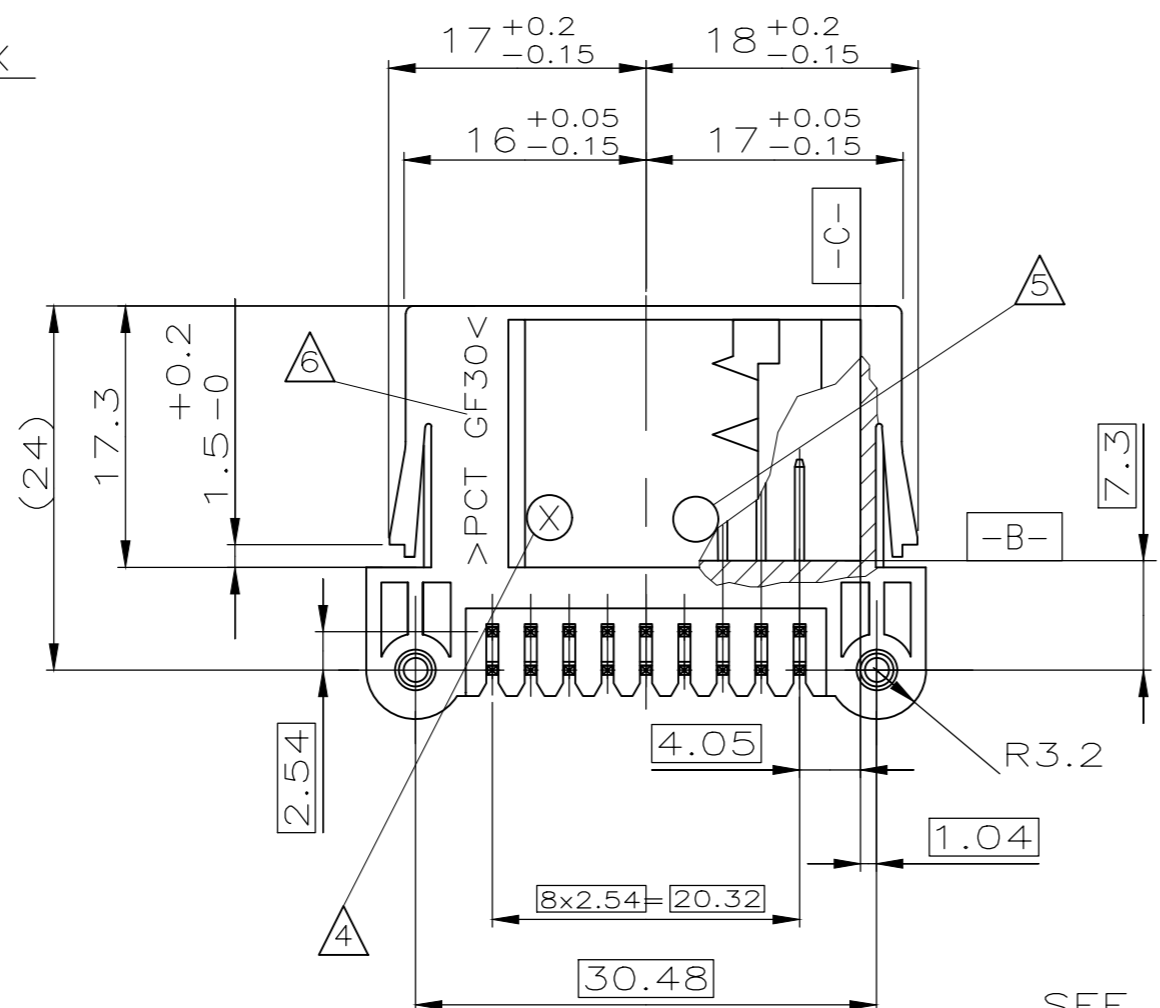
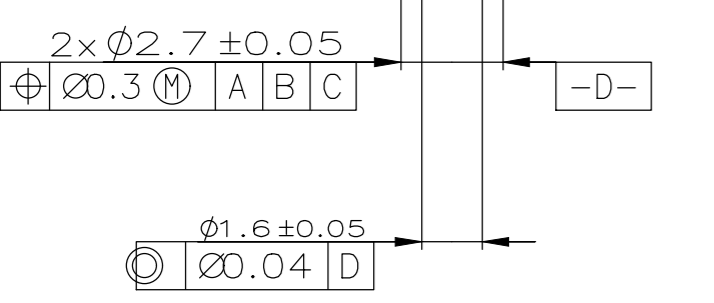
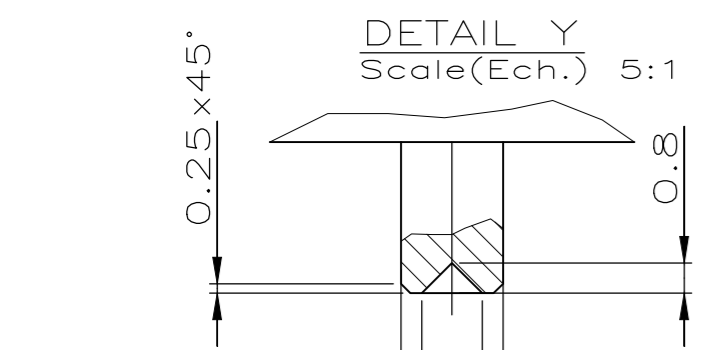
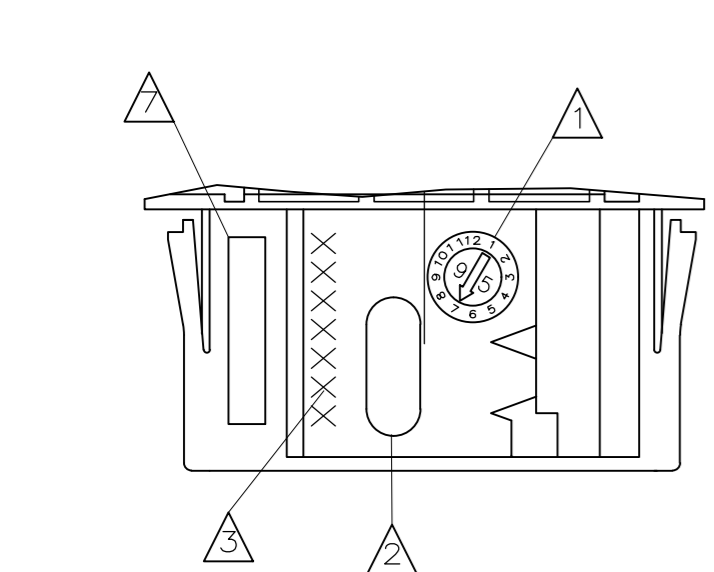
DETAIL X

SCALE(ECH.) 10:1



NOTES:

- 1 PRODUCTION DATE OF PLASTIC PART
DATE PRODUCTION DU BOITIER PLASTIQUE
- 2 TE LOGO
LOGO DE TE
- 3 ASSEMBLY PART NUMBER
REFERENCE DU PRODUIT ASSEMBLE
- 4 MOLD STATUS REVISION
INDICE REVISION DU MOULE
- 5 MOLD CAVITY IDENTIFICATION NUMBER
NUMERO D'EMPREINTE DU MOULE
- 6 PLASTIC MATERIAL IDENTIFICATION
IDENTIFICATION DE LA MATIERE PLASTIQUE
- 7 ASSEMBLY DATE MARKING
MARQUAGE DE DATE D'ASSEMBLAGE
- 8 CAPABILITY DIMENSION FOR THE TOOLINGS QUALIFICATION ONLY
COTE DE CAPABILITE UNIQUEMENT POUR LA QUALIFICATION D'OUTILLAGES
- 9 ONLY COMPATIBLE WITH THE CONNECTORS UNDER P/Ns : 185307-X ; 185315-X
- 10 TRAY-PACKAGING FOR MANUAL OPERATION ACC. TO V-SPEC. V1379731
- 11 TRAY-PACKAGING FOR AUTOMATIC OPERATION ACC. TO V-SPEC. V1379731



ASSY P/N REF. ASSEMBLEE	(L)	(L)	(L)	(L)	(L)	(L)	(L)	(L)	(L)	(L)	(L)
185680-1	X	X	X	X	X						X
185680-2											
1379731-1											
1379731-2											
1379731-3											
6-1379731-1						X	X	X	X		
6-1379731-2											
6-1379731-3											
1-1379731-1											

ASSY P/N REF. ASSEMBLEE	PACKAGING IN TRAY THERMO. CONDITIONNEMENT EN PLATEAU THERMO.	PACKAGING IN STICK CONDITIONNEMENT EN TUBE
185680-1	X	
185680-2	X	
1379731-1	X	
1379731-2	X	
1379731-3	X	
6-1379731-1		X
6-1379731-2		X
6-1379731-3		X
1-1379731-1		X

ASSY P/N REF. ASSEMBLEE	QTY/QTE	P/N TO BE MARKED REF. A MARQUER	MATERIAL MATIERE	DESIGNATION	COLOR/FINISH COULEUR/FINITION	REP.
185680-1			CuSn6	LONG PIN MQS CONTACT LONG MQS	BLACK/NOIR	5
185680-2			CuSn6	SHORT PIN MQS CONTACT COURT MQS	WHITE/BLANC	4
1379731-1			PCT GF30	LONG PIN MQS CONTACT LONG MQS	BLACK/NOIR	1
1379731-2			PCT GF30	SHORT PIN MQS CONTACT COURT MQS	WHITE/BLANC	2
1379731-3			PCT GF30	LONG PIN MQS CONTACT LONG MQS	BLACK/NOIR	1
6-1379731-1			PCT GF30	SHORT PIN MQS CONTACT COURT MQS	WHITE/BLANC	2
6-1379731-2			PCT GF30	LONG PIN MQS CONTACT LONG MQS	BLACK/NOIR	1
6-1379731-3			PCT GF30	SHORT PIN MQS CONTACT COURT MQS	WHITE/BLANC	2
1-1379731-1			PCT GF30	LONG PIN MQS CONTACT LONG MQS	BLACK/NOIR	1

THIS DRAWING IS A CONTROLLED DOCUMENT.
CE SCHEMA EST UN DOCUMENT CONTROLÉ

TOLERANCES UNLESS OTHERWISE SPECIFIED: (SUIV NB DE DECIMALES):
 DIMENSIONS: mm
 ANGLES: ± 5°

CODING / DETROMPAGE

Color/Finish	Part Number	Callout
BLACK/NOIR	185680-1	1
WHITE/BLANC	185680-2	2
BLUE (BLEU)	1379731-3	3
	6-1379731-2	(K)

TE Connectivity

18W MQS HEADER BENT LEFT WITH CROSSING PIN
EMBASE 18 V MQS COUDEE GAUCHE AVEC PION DE BOUTEROLLAGE

SIZE FORMAT: A2, CAGE CODE: 00779, DRAWING NO: 185680, RESTRICTED TO: L

单击下面可查看定价，库存，交付和生命周期等信息

[>>TE Connectivity\(泰科\)](#)