

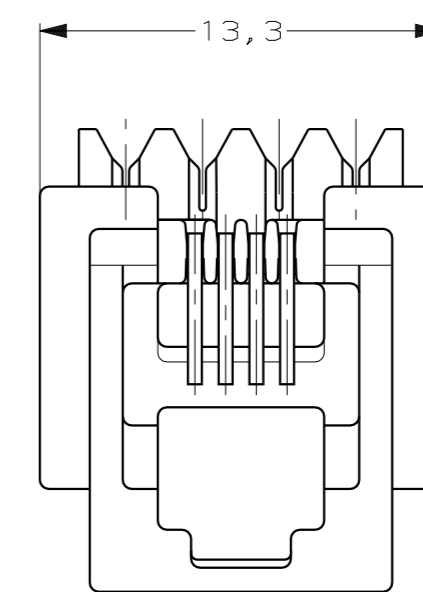
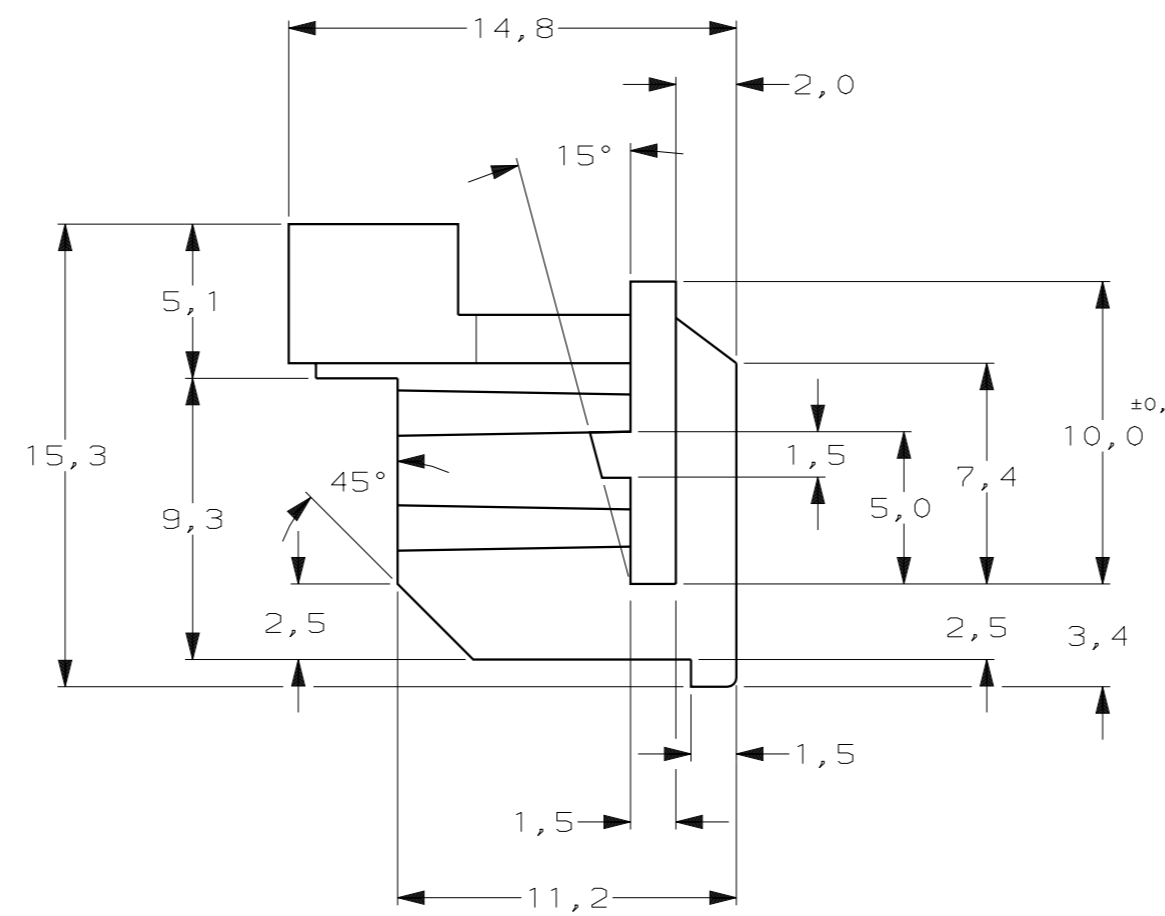
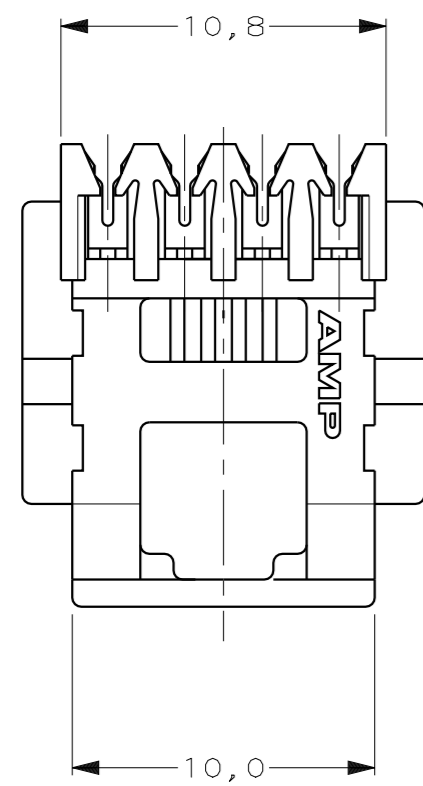
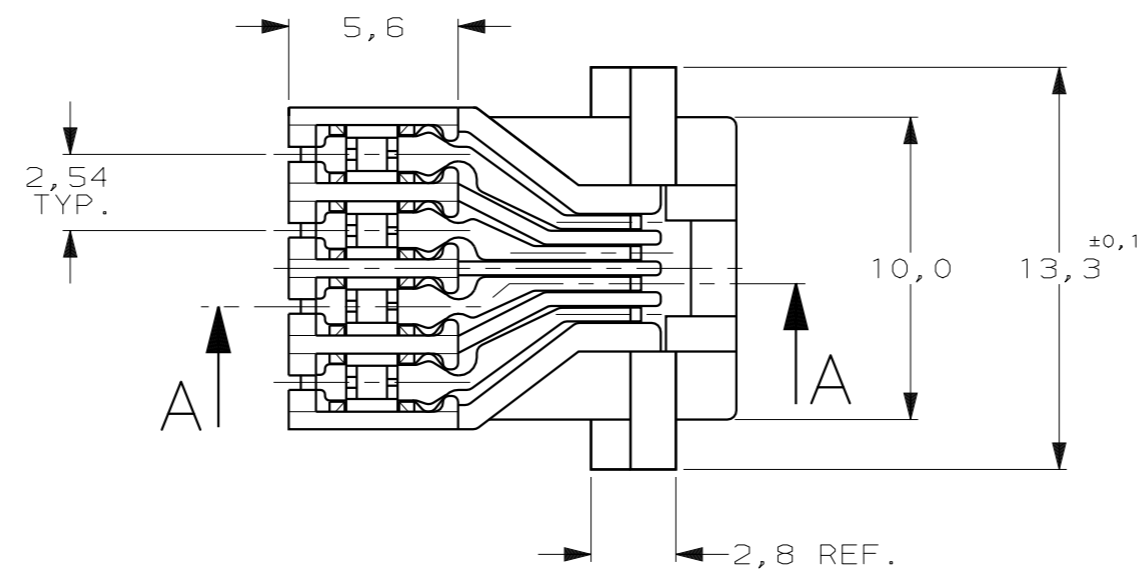
NOTES:

- FOR APPLICATION INFORMATION SEE AMP SPECIFICATION 114-19005.
- FOR PERFORMANCE REQUIREMENTS SEE AMP SPECIFICATION 108-19039.
- GENERAL TOLERANCE $\pm 0,15\text{mm}$ UNLESS OTHERWISE SPECIFIED.

DO NOT SCALE
DIMENSIONS IN mm

METRIC

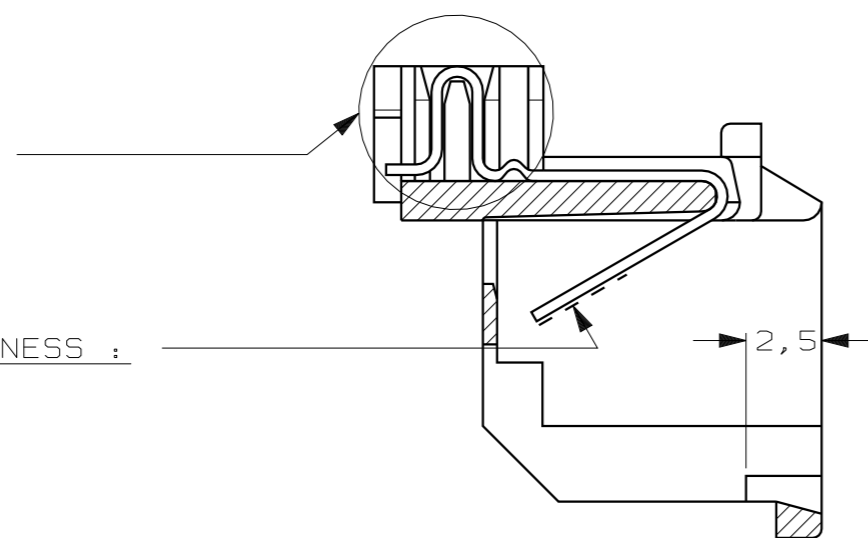
THIRD ANGLE
PROJECTION



CONTACT PLATING IN THIS AREA :
1,25 μm MIN. TIN

CONTACT AREA GOLD PLATING THICKNESS :
SEE TABLE.

UNDERPLATING ON ENTIRE CONTACT :
1,25 μm NICKEL.



SEC. A-A

OBSOLETE

800 pcs. ON 60 cm. DIA REEL	0,8 μm	HOUSING : ABS COLOR : CLEAR	2-216780-2
	1,25 μm		2-216780-1
3000 pcs. IN A BOX	0,8 μm	CONTACTS : PHOS.PH. BRONZE	216780-2
	1,25 μm		216780-1
PACKAGING	GOLD PLATING IN CONTACT AREA	MATERIAL	ORDERNUMBER
-	-	-	-
CUSTOMER DRAWING			FOR REFERENCE ONLY WILL NOT BE UPDATED
© COPYRIGHT 19- BY AMP HOLLAND B.V. ALL INTERNATIONAL RIGHTS RESERVED. AMP PRODUCTS MAY BE COVERED BY U.S. AND FOREIGN AND/OR PATENTS PENDING.			
THIS DRAWING IS UNPUBLISHED RELEASED FOR PUBLICATION			
AMP			AMP HOLLAND B.V. s-Hertogenbosch, The Netherlands.
F	ECR-05-013405	PW JB 18 OCT 05	NAME
E	EH-0176-98	EvE WB 10 FEB 98	MODULAR JACK, 4 POS./4 CONT. WITH INSULATION DISPLACEMENT CONTACTS
LTR.	REVISION RECORD	DR. CHK. DATE	
DR. : L.V.D.HEIJDEN	CHK. : M. DE WINTER	APP. : L. VAN SOEST	DWG.No.
DATE: 20 OKT 89	DATE: 26-10-89	DATE: -	C-216780
			REV.LTR. SHEET
			F 1 OF 1 A2

单击下面可查看定价，库存，交付和生命周期等信息

[>>TE Connectivity\(泰科\)](#)