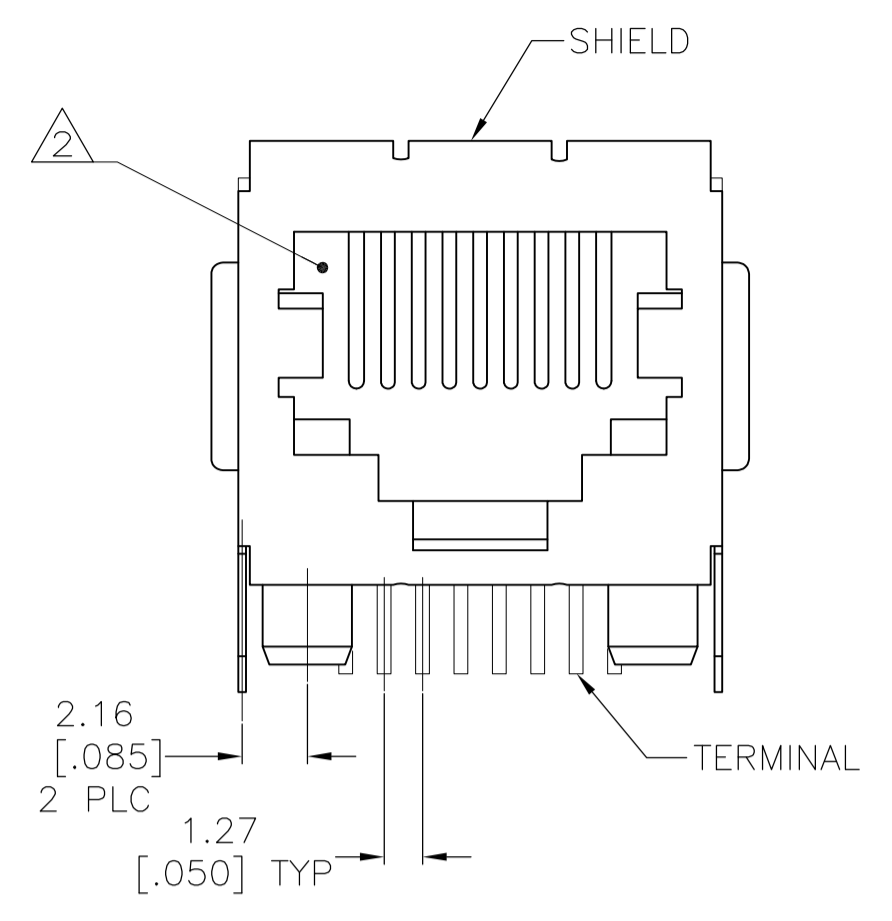
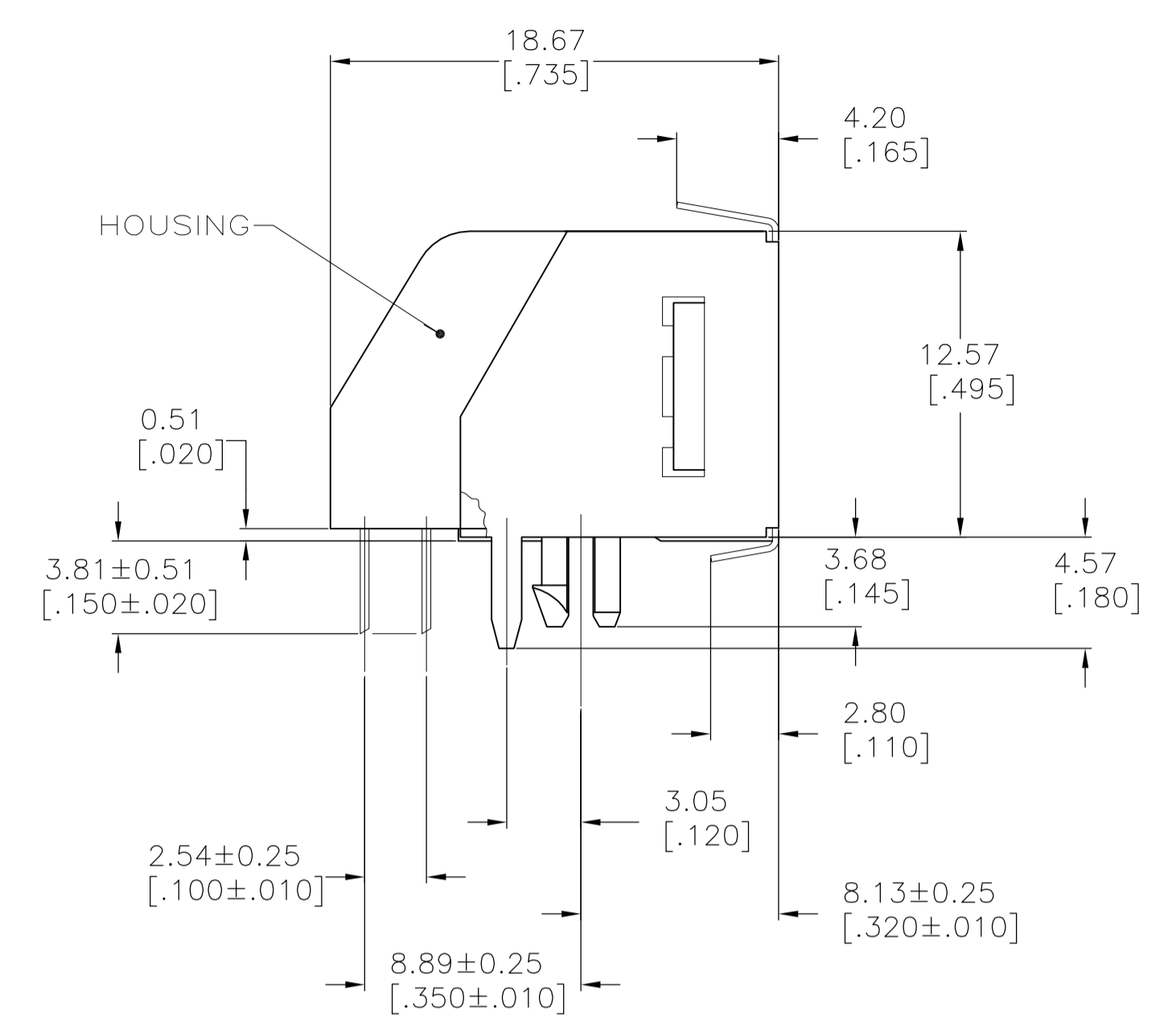
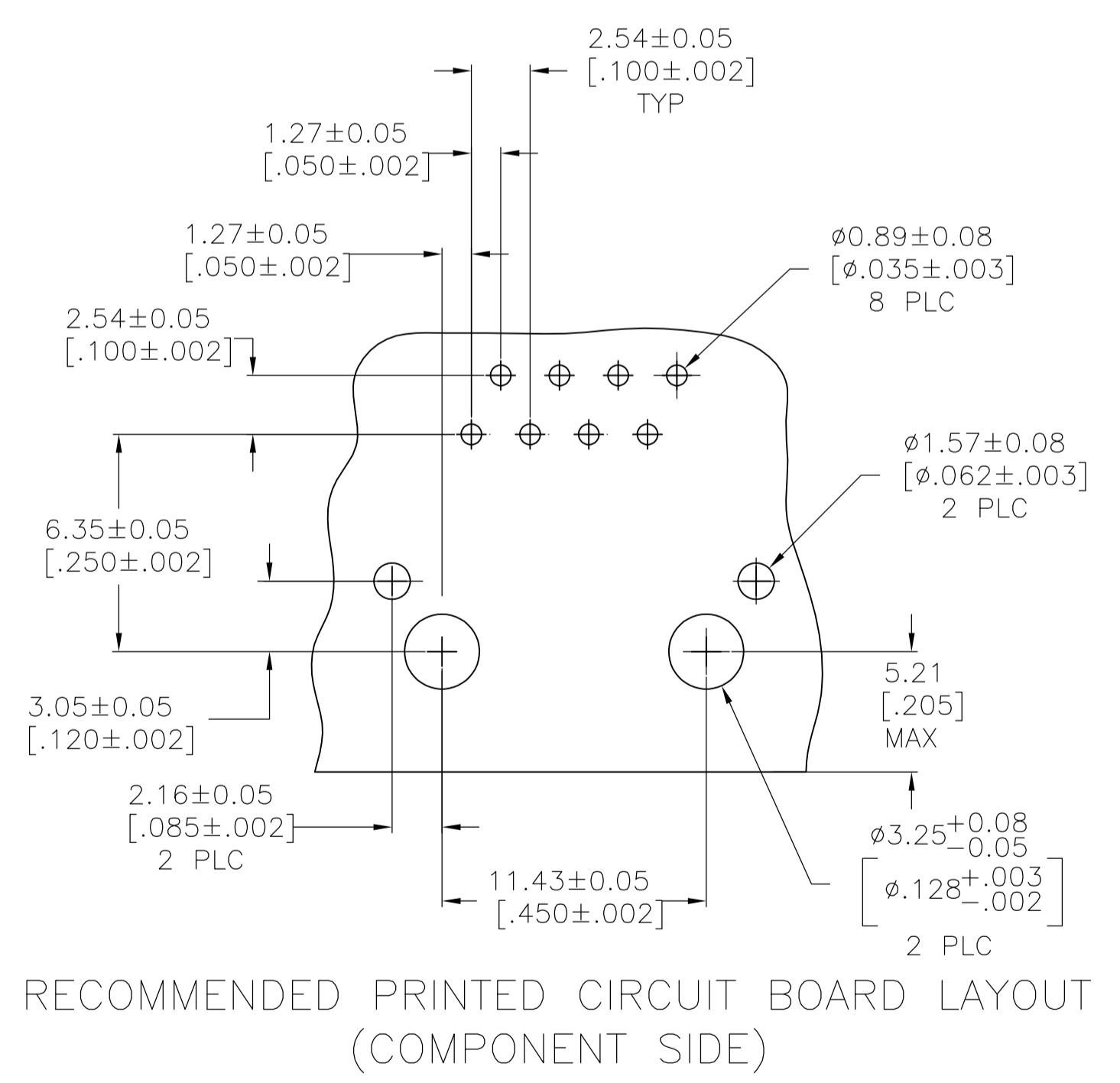
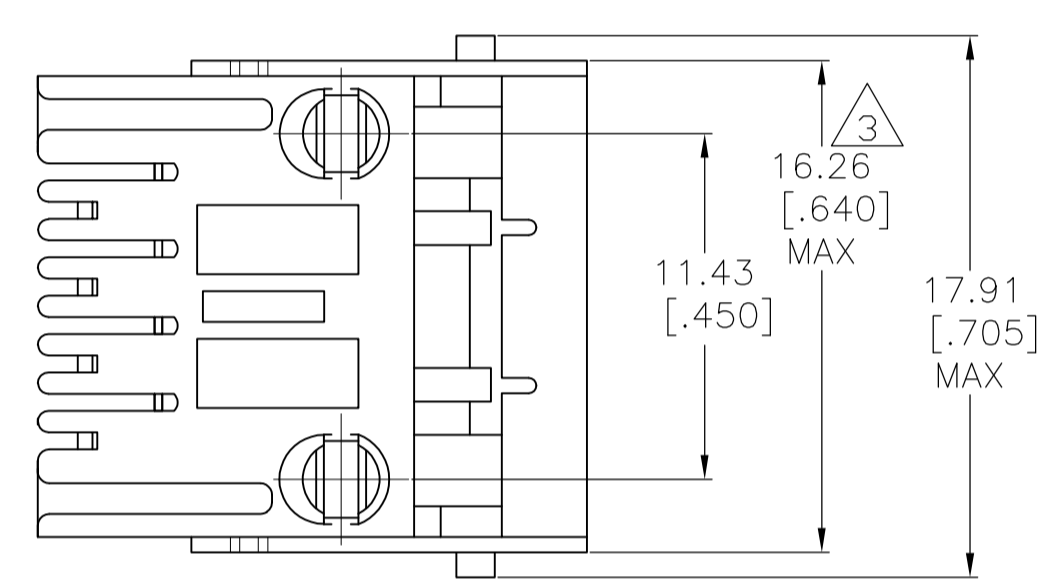


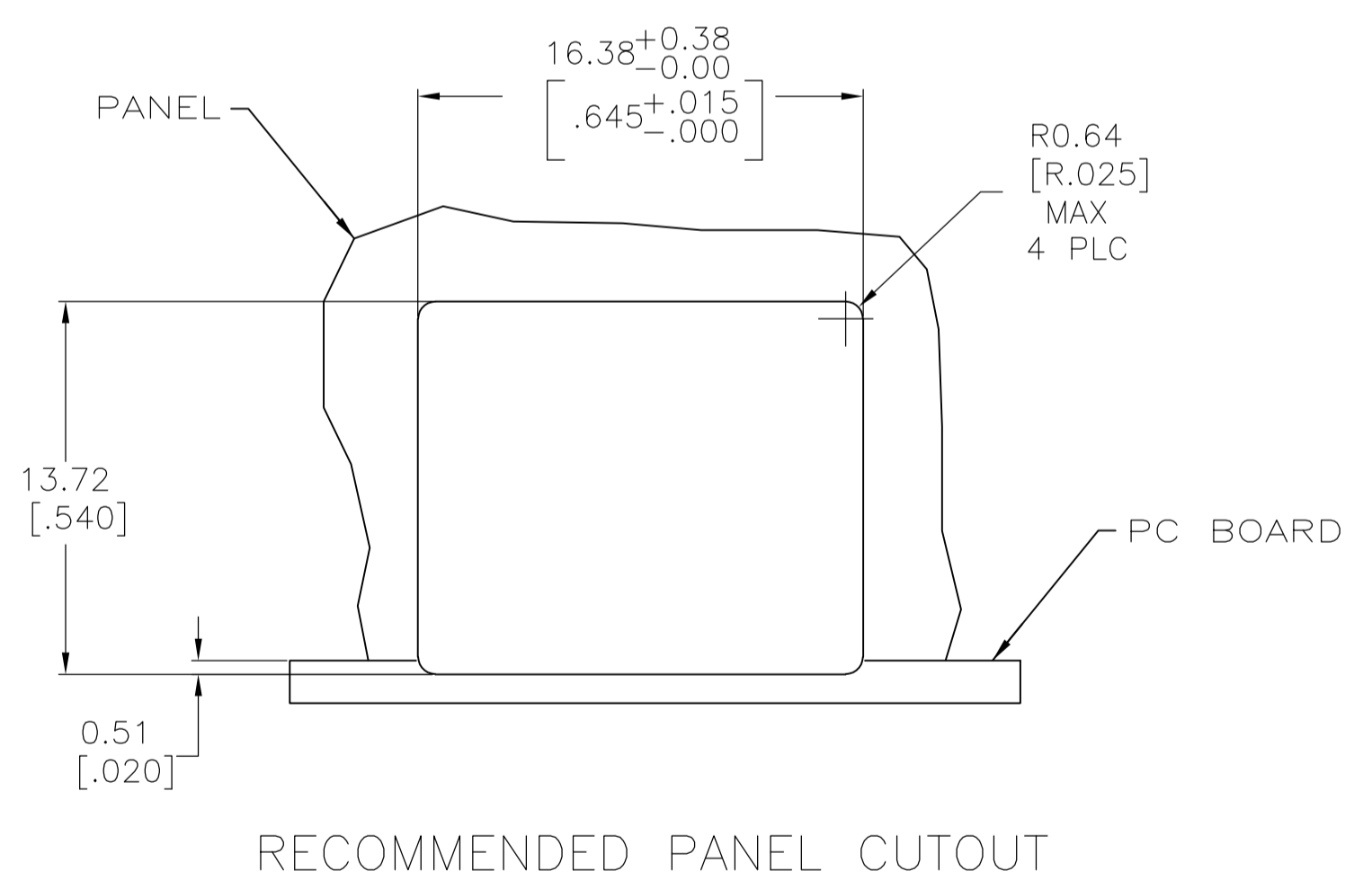
LOC			DIST			REVISIONS						
	F	LTR	DESCRIPTION	DATE	DW	APVD						
GP	00						C	ECO-10-02103		29NOV2010	CJV	PAR



- MATERIAL:
 HOUSING - PBT POLYESTER, COLOR: BLACK
 TERMINAL - 0.36[.014] THICK PHOS BRONZE PLATED WITH 1.27µm [0.000050] THICK HARD GOLD IN LOCALIZED GOLD PLATE AREA AND 3.81µm [0.000150] THICK MATTE TIN IN SOLDER AREA OVER 1.27µm [0.000050] THICK NICKEL UNDERPLATE
 SHIELD - 0.25 [.010] THICK COPPER ALLOY PLATED WITH 3.0µm [0.000120] MINIMUM THICK REFLOWED TIN
- ⚠️ CAVITY CONFORMS TO FCC RULES AND REGULATIONS PART 68, SUBPART F.
 ⚠️ DIMENSIONS MEASURED ALONG FRONT EDGES OF MATING FACE



RECOMMENDED PRINTED CIRCUIT BOARD LAYOUT (COMPONENT SIDE)



RECOMMENDED PANEL CUTOUT

5556926-1
PART NUMBER

THIS DRAWING IS A CONTROLLED DOCUMENT.		DW	G. ATTADIA - 10JUN2005		Tyco Electronics Corporation Harrisburg, PA 17105-3608		
DIMENSIONS: mm [INCHES]		CHK	J. WESTMAN 10JUN2005		NAME	MODULAR JACK ASSEMBLY, SHIELDED, 8 POSITION, LOW PROFILE, RIGHT ANGLE, WITH PANEL GROUNDS	
TOLERANCES UNLESS OTHERWISE SPECIFIED:		APVD	S. FLICKINGER 10JUN2005	PRODUCT SPEC	108-1163		
0 PLC ± -		APPLICATION SPEC		SIZE	CAGE CODE DRAWING NO		
1 PLC ± -		114-2048		WEIGHT	RESTRICTED TO		
2 PLC ± 0.13[005]		A1 00779 C=5556926		CUSTOMER DRAWING	SCALE 4:1 SHEET 1 OF 1 REV C		
3 PLC ± -							
4 PLC ± -							
ANGLES ± -							
MATERIAL SEE NOTE 1		FINISH SEE NOTE 1					

单击下面可查看定价，库存，交付和生命周期等信息

[>>TE Connectivity\(泰科\)](#)