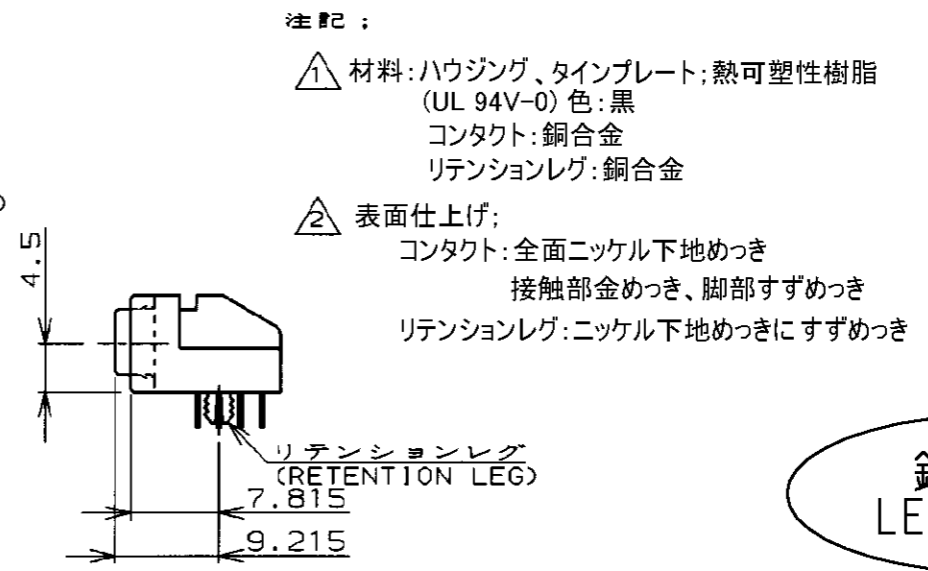
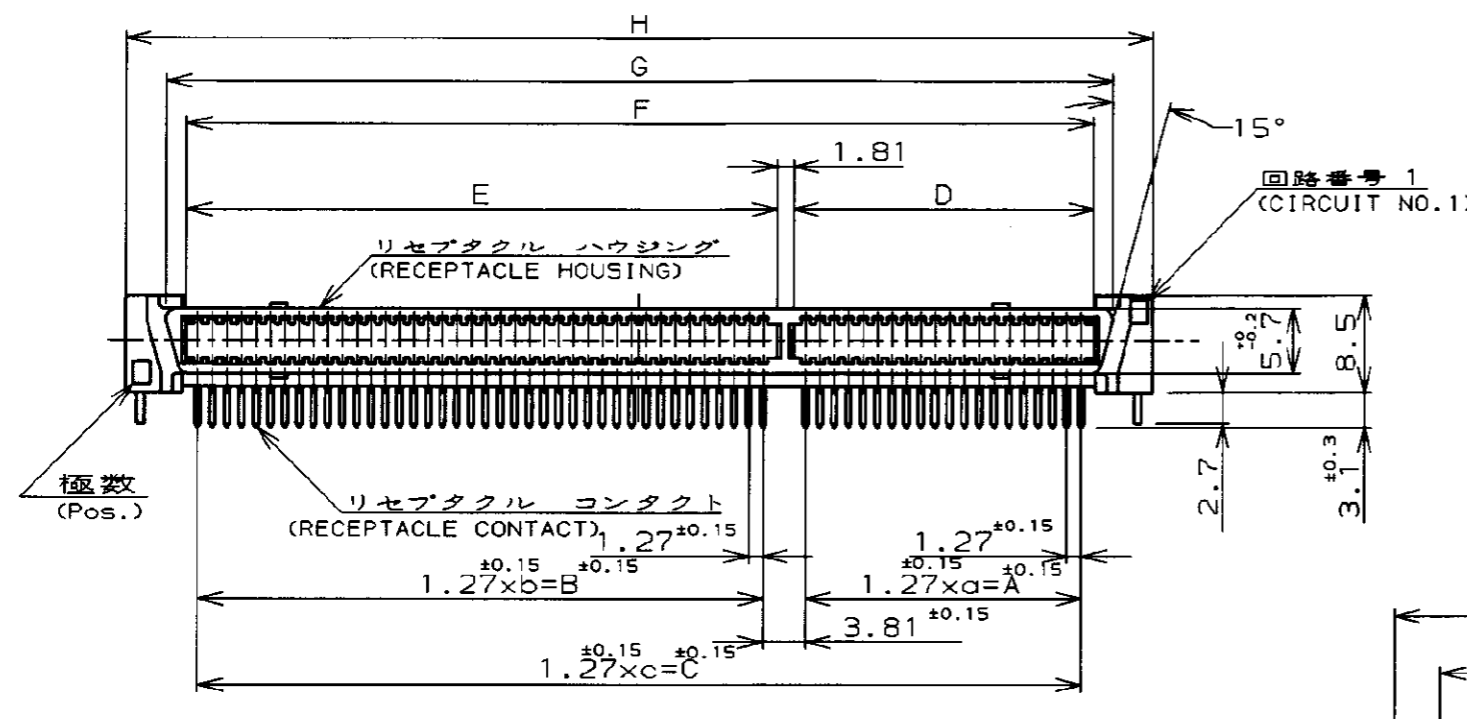
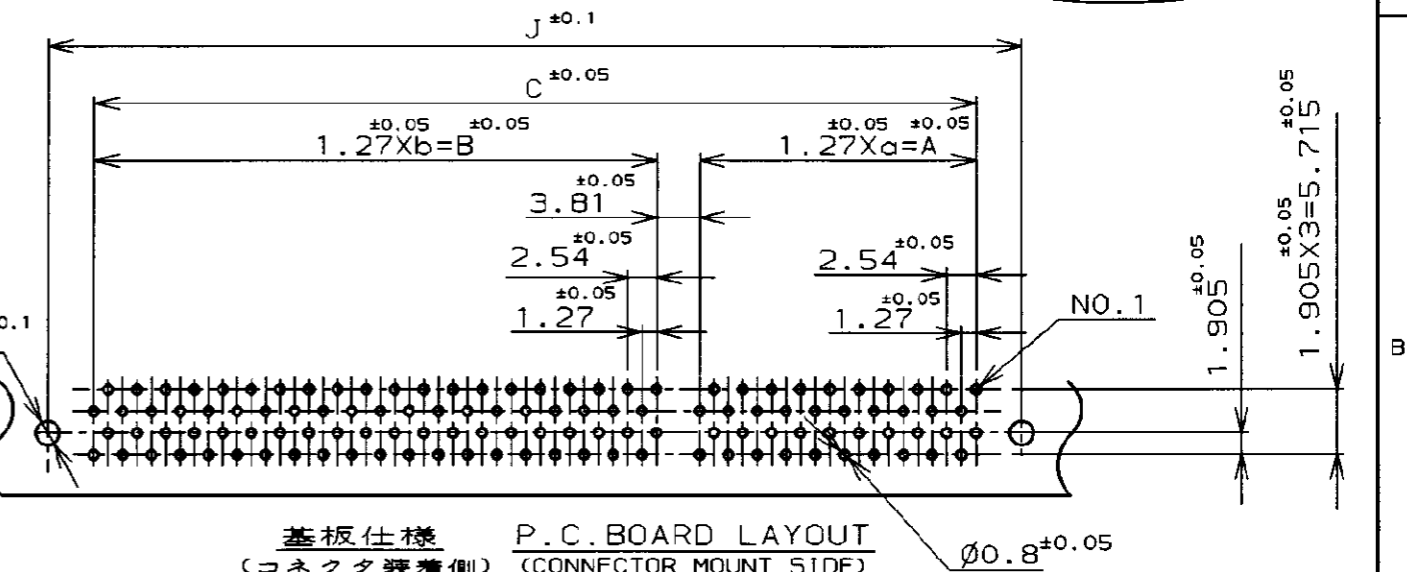
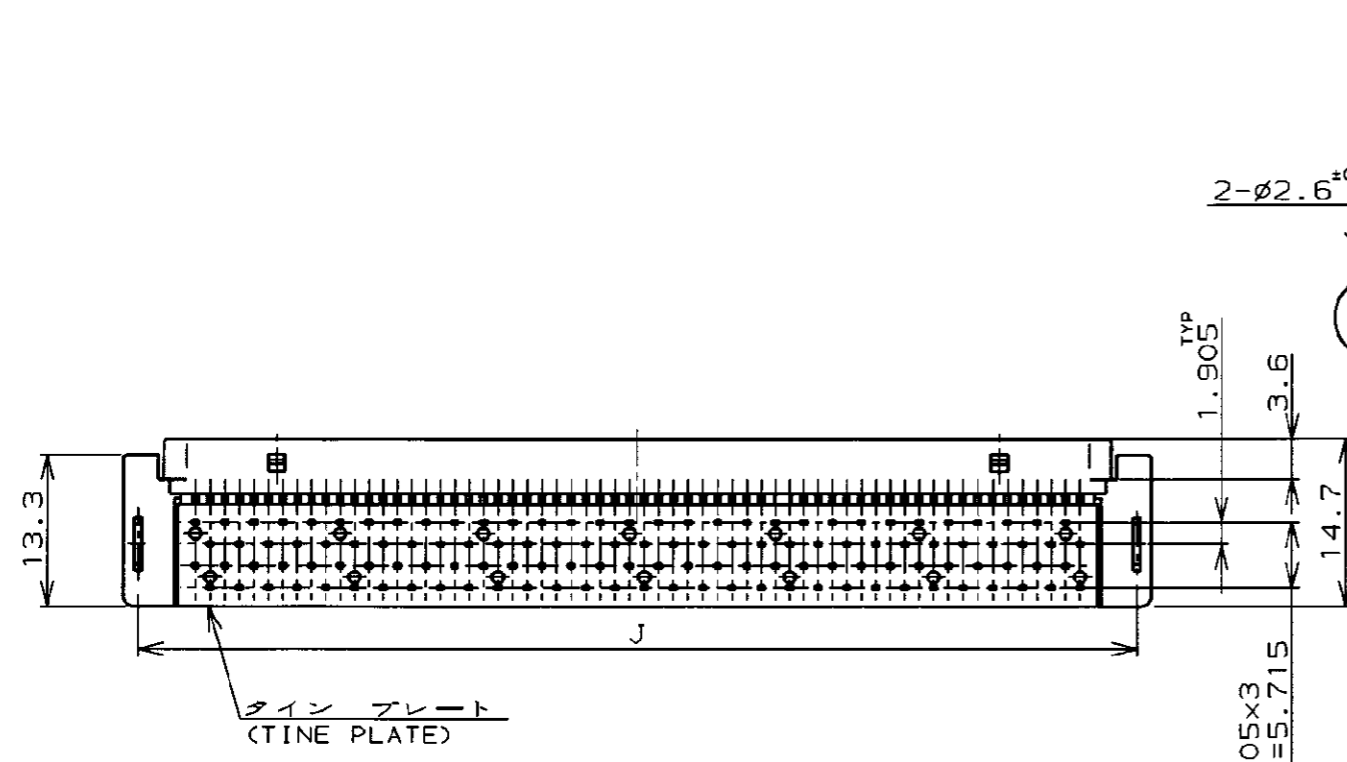


NUMBER C-5176379
 METRIC
 3rd ANGLE PROJECTION



注記 :
 ① 材料:ハウジング、タインプレート;熱可塑性樹脂
 (UL 94V-0)色:黒
 コントクト:銅合金
 リテンションレグ:銅合金
 ② 表面仕上げ:
 コントクト:全面ニッケル下地めっき
 接触部金めっき、脚部すずめっき
 リテンションレグ:ニッケル下地めっきにすずめっき

鉛フリー
 LEAD FREE



基板仕様 P.C. BOARD LAYOUT
 (コネクタ装着側) (CONNECTOR MOUNT SIDE)

| | | | | | | | | | | | | | | | |
|------------|-----|----|-------|----|-------|-------|--------|-------|-------|--------|-------|--------|--------|---|-----------|
| | 180 | 39 | 49.53 | 49 | 62.23 | — | 115.57 | 51.53 | 64.23 | 117.57 | 20.66 | 28.19 | 25.54 | — | -8 |
| ① OBSOLETE | 160 | 29 | 36.83 | 49 | 62.23 | — | 102.87 | 38.83 | 64.23 | 104.07 | 07.98 | 15.49 | 12.84 | — | 7 |
| | 140 | 29 | 36.83 | 39 | 49.53 | — | 90.17 | 38.83 | 51.53 | 92.17 | 95.26 | 102.79 | 100.14 | — | -6 |
| | 120 | 19 | 24.13 | 39 | 49.53 | — | 77.47 | 26.13 | 51.53 | 79.47 | 82.56 | 90.09 | 87.44 | — | -5 |
| | 100 | — | — | — | 49 | 62.23 | — | — | 64.23 | 67.32 | 74.85 | 72.2 | — | — | -4 |
| | 80 | — | — | — | 39 | 49.53 | — | — | 51.53 | 54.62 | 62.15 | 59.5 | — | — | -3 |
| | 60 | — | — | — | 29 | 36.83 | — | — | 38.83 | 41.92 | 49.45 | 46.8 | — | — | -2 |
| | 40 | — | — | — | 19 | 24.13 | — | — | 26.13 | 29.22 | 36.75 | 34.1 | — | — | 5176379-1 |
| Pos. | a | A | b | B | c | C | D | E | F | G | H | J | | | P/N |

NOTE:
 ① MATERIAL:HOUSING, TINE PLATE;THERMOPLASTICS
 (UL 94V-0) BLACK
 CONTACT:COPPER ALLOY
 RETENTION LEG:COPPER ALLOY
 ② FINISH:CONTACT:Au AT CONTACT AREA
 TIN AT TINE, OVER Ni
 RETENTION LEG:TIN, OVER Ni

| | | | | | |
|-----|---------------------------|-----------|----------|-----|--|
| P1 | REVISED PER ECR-12-013273 | 28MAR2013 | K.M.E.T | | |
| P | ECO-11-005030 | 23MAR11 | RK HMR | | |
| LTR | DESCRIPTION | DATE | DWN APVD | CHK | |

| | | | | | | | | | | | | | |
|-----------------|--|-------------------------|--|--------------|--|----------------|--|---|--|----------------------|--|-------------------------------------|--|
| TE Connectivity | | | | WIRE RANGE | | INSULATION DIA | | NAME | | | | | |
| | | | | mm² (AWG -) | | mmφ | | AMP FH CONNECTOR RECEPTACLE WITH RETENTION LEG (HORIZONTAL) | | | | | |
| | | | | MATERIAL | | FINISH | | GENERAL TOLERANCE | | | | | |
| P1 | | REVIS PER ECR-12-013273 | | 28MAR2013 | | K.M.E.T | | DE T.KAWAMAE 09JUN04 | | APP IENOMOTO 09JUN04 | | SIZE B J LOC NUMBER C-5176379 | |
| P | | ECO-11-005030 | | 23MAR11 | | RK HMR | | 0<W<10 : ±0.2 10<W<30 : ±0.25 30<W<100 : ±0.3 ANGLES : ±3° | | SCALE NTS | | REV. P1 SHEET 1 OF 1 | |

CUSTOMER DRAWING

单击下面可查看定价，库存，交付和生命周期等信息

[>>TE Connectivity\(泰科\)](#)