

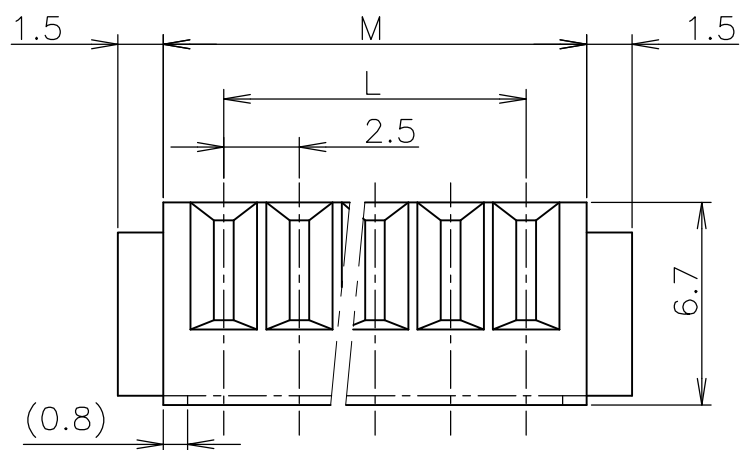
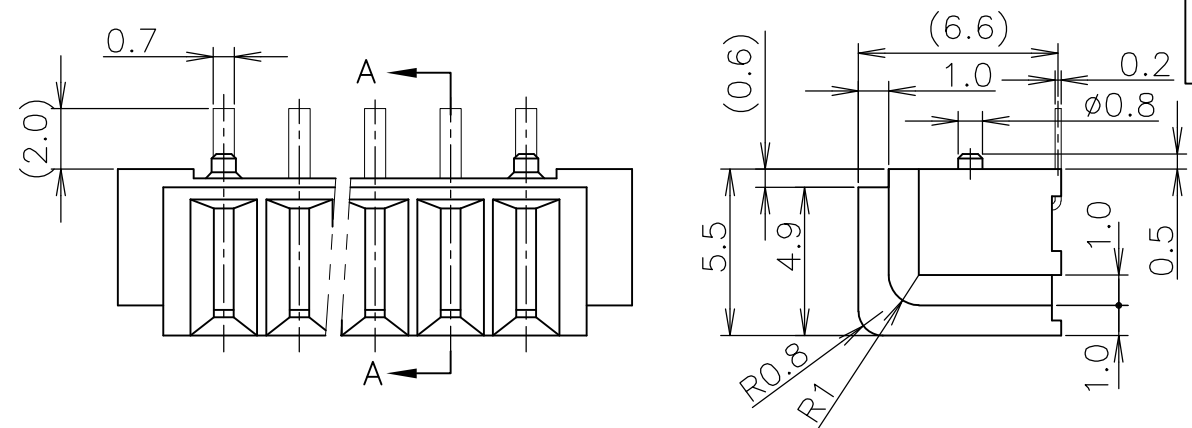
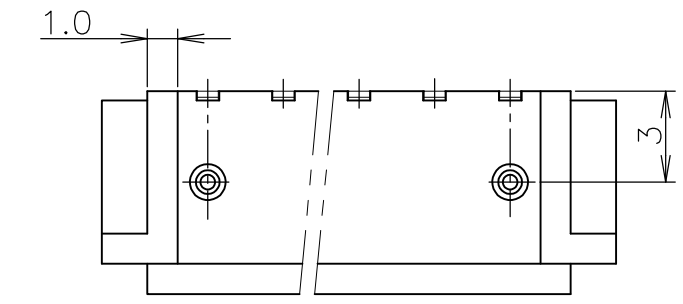
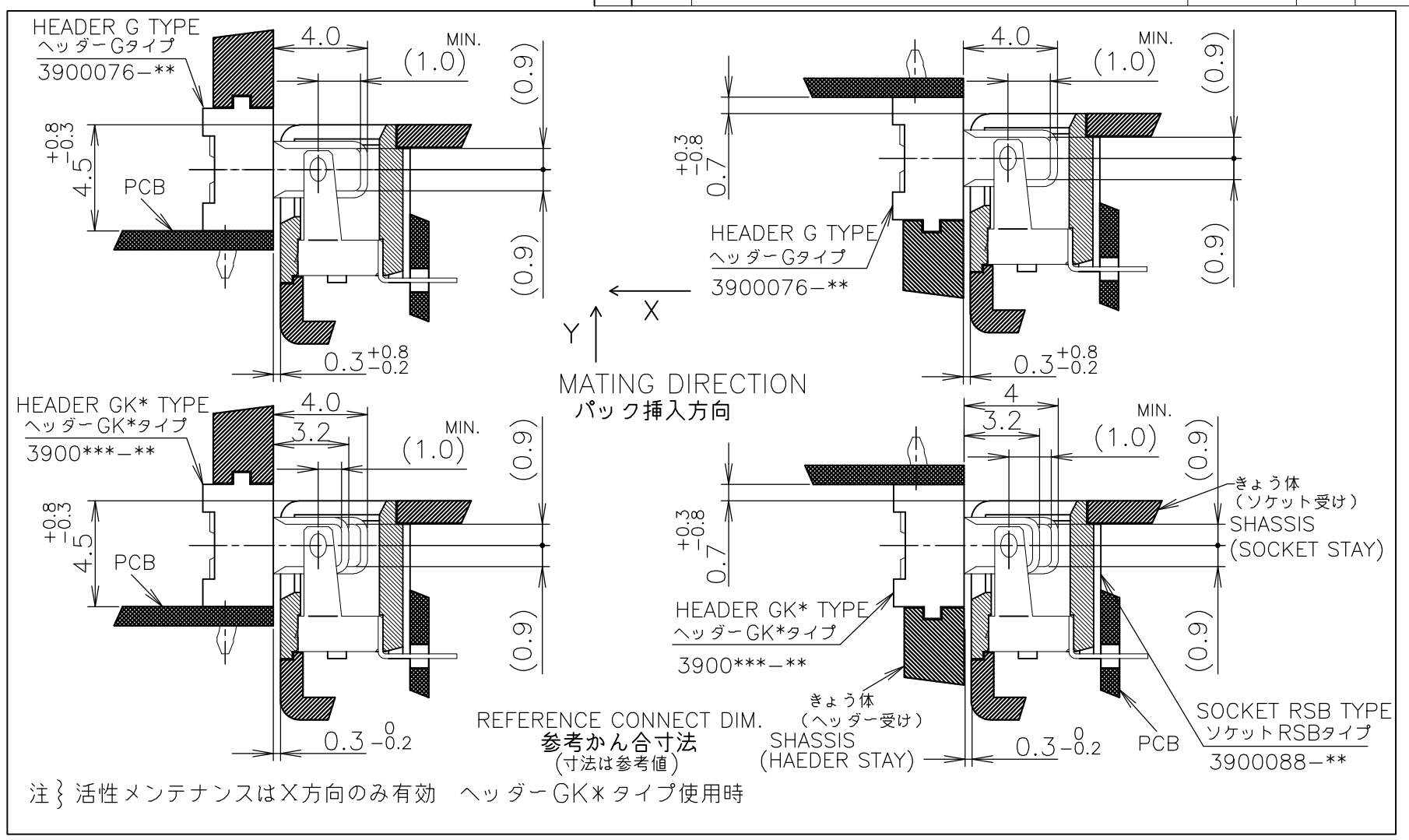
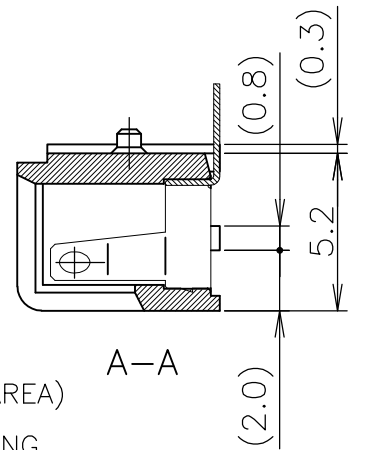
THIS DRAWING IS UNPUBLISHED. RELEASED FOR PUBLICATION AUG. 2004.  
 © COPYRIGHT 2004 BY TYCO ELECTRONICS CORPORATION. ALL RIGHTS RESERVED.

P	LTR	REVISIONS		
		DESCRIPTION	DATE	DWN APVD
0		RELEASED	FJB0-0700-04	05AUG04 H.T K.I
01		REVISED PER ECO-10-000444		19JAN10 KK HMR

- 1 一般公差±0.3  
 ② 材質  
 ベース: 熱可塑性樹脂, 黒色  
 ポスト: 銅合金  
 全面: ニッケル下地めっき  
 接触部: 金めっき 0.1μm MIN.  
 半田付け部: 金めっき

- 1 GENERAL TOLERANCE : ±0.3  
 ② MATERIALS  
 BASE : THERMOPLASTIC, BLACK  
 POST : COPPER ALLOY  
 0.1μm MIN. GOLD  
 OVER NICKEL PLATE (CONTACT AREA)  
 Au PLATE OVER NICKEL PLATE (TAIL AREA)

- ③ OBSOLETE PARTS: OBSOLETE CIS STREAMLINING  
 PER D.RENAUD/D.SINISI



鉛フリー  
LEAD FREE

③ OBSOLETE

PART NO. 型番	OLD PART NO. 旧型番	NO. OF POS. 極数	L 寸法	M SIZE	REMARK 備考
6-6447143-6	3900088-06	6	12.5	16.5	
6-6447141-2	3900088-05	5	10.0	14.0	
6-6447141-1	3900088-04	4	7.5	11.5	
6-6447141-0	3900088-03	3	5.0	9.0	

THIS DRAWING IS A CONTROLLED DOCUMENT.		DWN H.TAKASU 05AUG04	Tyco Electronics AMP K.K. Kawasaki, Japan		
DIMENSIONS: 単位: 耗 mm		CHK T.KIMURA 05AUG04	NAME 名称		
TOLERANCES UNLESS OTHERWISE SPECIFIED: 一般公差		APVD K.IKEGAMI 05AUG04	PRODUCT SPEC 製品規格 108-78126		
0 PLC ±- 1 PLC ±- 2 PLC ±- 3 PLC ±- 4 PLC ±- ANGLES ±-		APPLICATION SPEC 取付適用規格			
MATERIAL 材料	FINISH 仕上	WEIGHT	SIZE A3	CAGE CODE 00779	DRAWING NO 番号 G-6-6447143-6
CUSTOMER DRAWING			RESTRICTED TO	SCALE 尺度 4:1	SHEET 1 OF 1 REV 01

单击下面可查看定价，库存，交付和生命周期等信息

[>>TE Connectivity\(泰科\)](#)