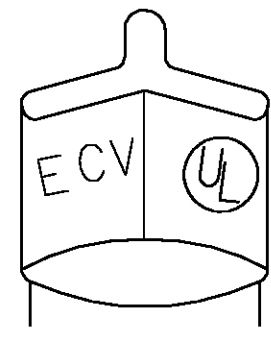
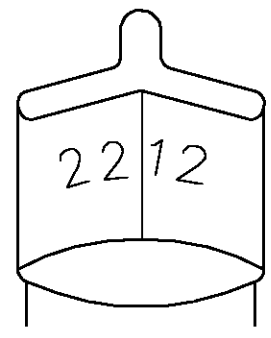
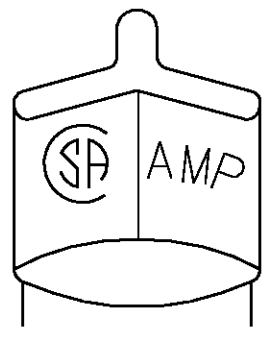


THIS DRAWING IS UNPUBLISHED. RELEASED FOR PUBLICATION
 © COPYRIGHT BY TYCO ELECTRONICS CORPORATION. ALL RIGHTS RESERVED.

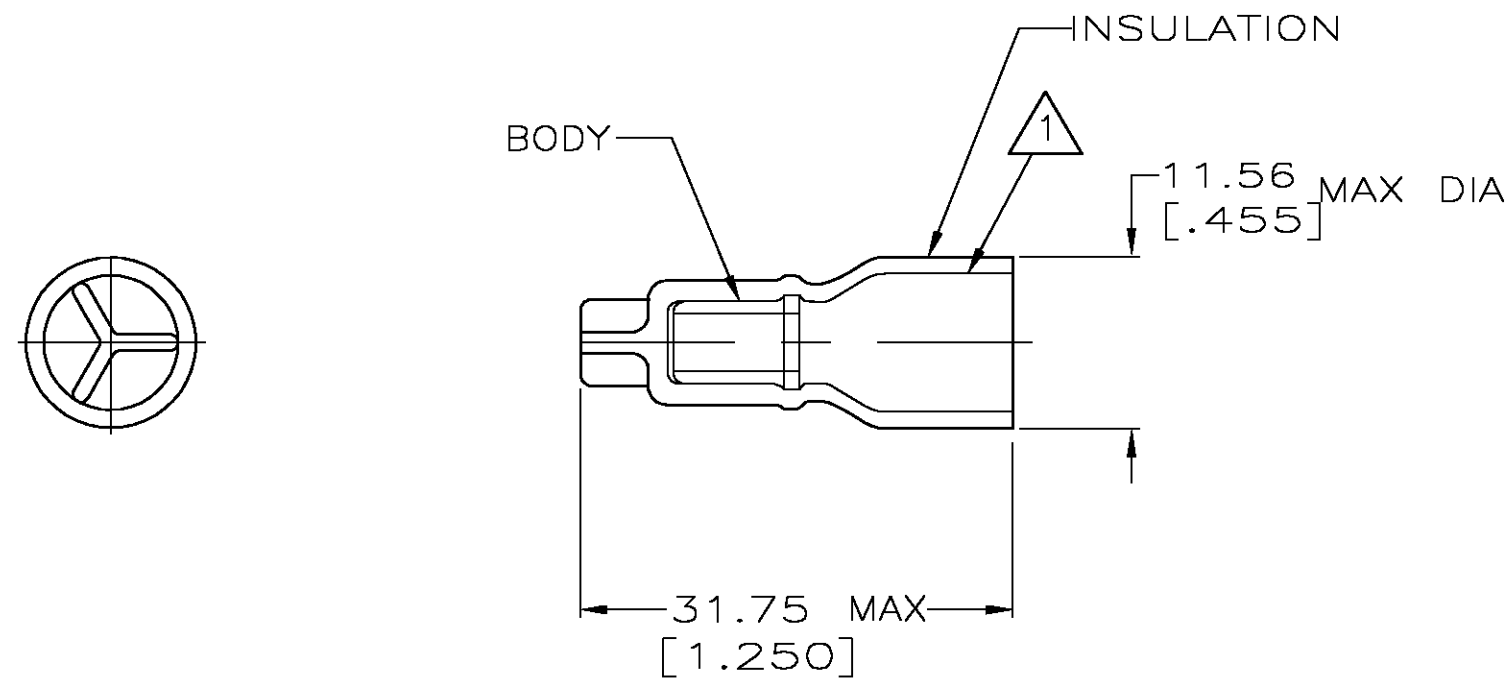
LOC	DIST	REVISIONS					
		P	LTR	DESCRIPTION	DATE	DWN	APVD
G	14		U	REV PER 0G3A-0256-04	08APR04	JR	TM



STAMPING DETAIL

- △1 FOR 9.14 [.360] MAX WIRE INSULATION DIA
- △2 SUPERSEDED BY 329251
- △3 MATERIAL: BODY; COPPER PER ASTM B152 INSULATION; PVC COLOR; TRANSLUCENT
- △4 FINISH: BODY; TIN PL. PER ASTM B545

AMP WIRE RANGE	Listed	LR7189 Certified
22-12 AWG STRANDED	22-12 AWG STRANDED	22-12 AWG STRANDED



10000	BOXED	2-329251-2 △2
1500	TAPE MOUNTED	2-329251-1
1000	LOOSE PIECE	329251
QTY	DESCRIPTION	PART NO.

AMP INCORPORATED CUSTOMER SERVICE SYSTEMS		MAX RECOMMENDED OPERATING TEMPERATURE: 105° C MAX	THIS DRAWING IS A CONTROLLED DOCUMENT.		DWN G KRUPER 12/18/92 CHK R HERSEY 12/18/92 APVD M ELLIS 12/18/92 PRODUCT SPEC UL 486 C APPLICATION SPEC	Tyco Electronics Corporation Harrisburg, PA 17105				
FOR ADDITIONAL PRODUCT INFORMATION OR COPIES OF DRAWINGS AND TECHNICAL DOCUMENTS PRODUCT INFORMATION CENTER 1-800-522-6752	FOR APPLICATION TOOLING ASSISTANCE CENTER TOOLING INFORMATION 1-800-722-1111	VOLTAGE RATING: 600V MAX (BUILDING & WIRING) 1000V MAX (FIXTURES & SIGNS)	DIMENSIONS: mm [INCHES]	TOLERANCES UNLESS OTHERWISE SPECIFIED: 0 PLC ± - 1 PLC ± - 2 PLC ± 0.20 [.008] 3 PLC ± - 4 PLC ± - ANGLES ± -	NAME SPLICE, CLOSED END WIRE SIZE, 22-12 AWG		SIZE A3	CAGE CODE 00779	DRAWING NO C-329251	RESTRICTED TO -
FOR ORDER ENTRY 1-800-526-5142	THIS DRAWING IS A CONTROLLED DOCUMENT FOR AMP INCORPORATED. IT IS SUBJECT TO CHANGE AND THE CONTROLLING ENGINEERING ORGANIZATION SHOULD BE CONTACTED FOR THE LATEST REVISION.		MATERIAL - △3	FINISH - △4	WEIGHT -		SCALE 2:1	SHEET 1 OF 1	REV U	CUSTOMER DRAWING

单击下面可查看定价，库存，交付和生命周期等信息

[>>TE Connectivity\(泰科\)](#)