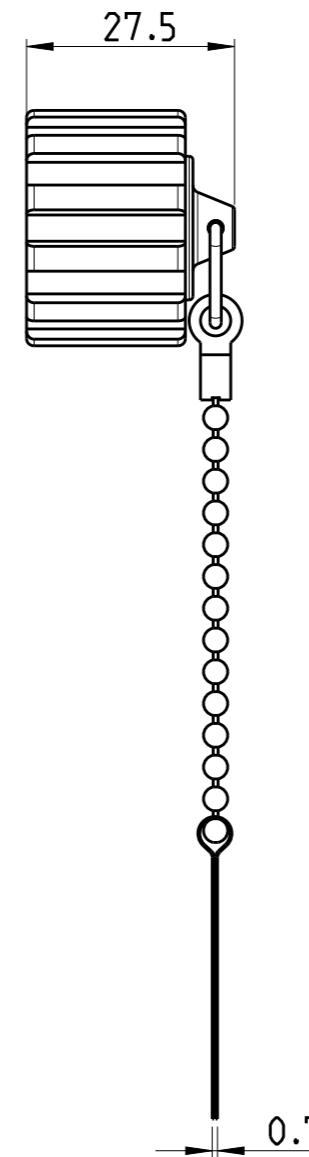
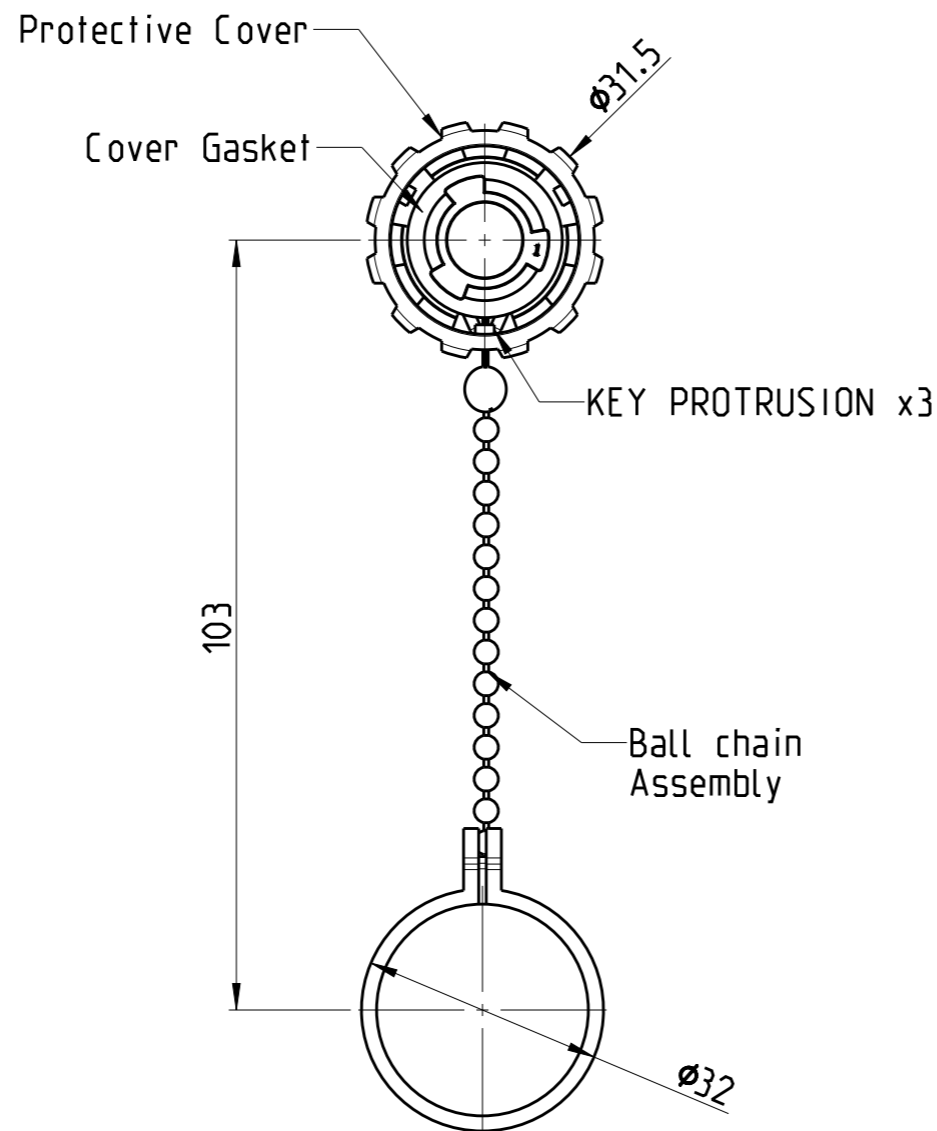


P	LTR	DESCRIPTION	DATE	DWN	APVD
A		INITIAL RELEASE	19APR2019	SS	KMA
B		ECR-19-018070	18NOV2019	SS	JK



2355444-1 AS SHOWN

Notes:

1. Material and Finish:
 - Protective Cover: Zinc Die-Cast, Nickel Plated
 - Cover Gasket: Silicon, Color: Transparent
 - Ball Chain Assembly, Copper Alloy and Stainless steel, Nickel Plated

2. Operating Temperature: -40°C to +85°C
3. IP67 rated when fully mated with the appropriate connector
4. RoHS compliant
5. Packaging Spec: 107-19763

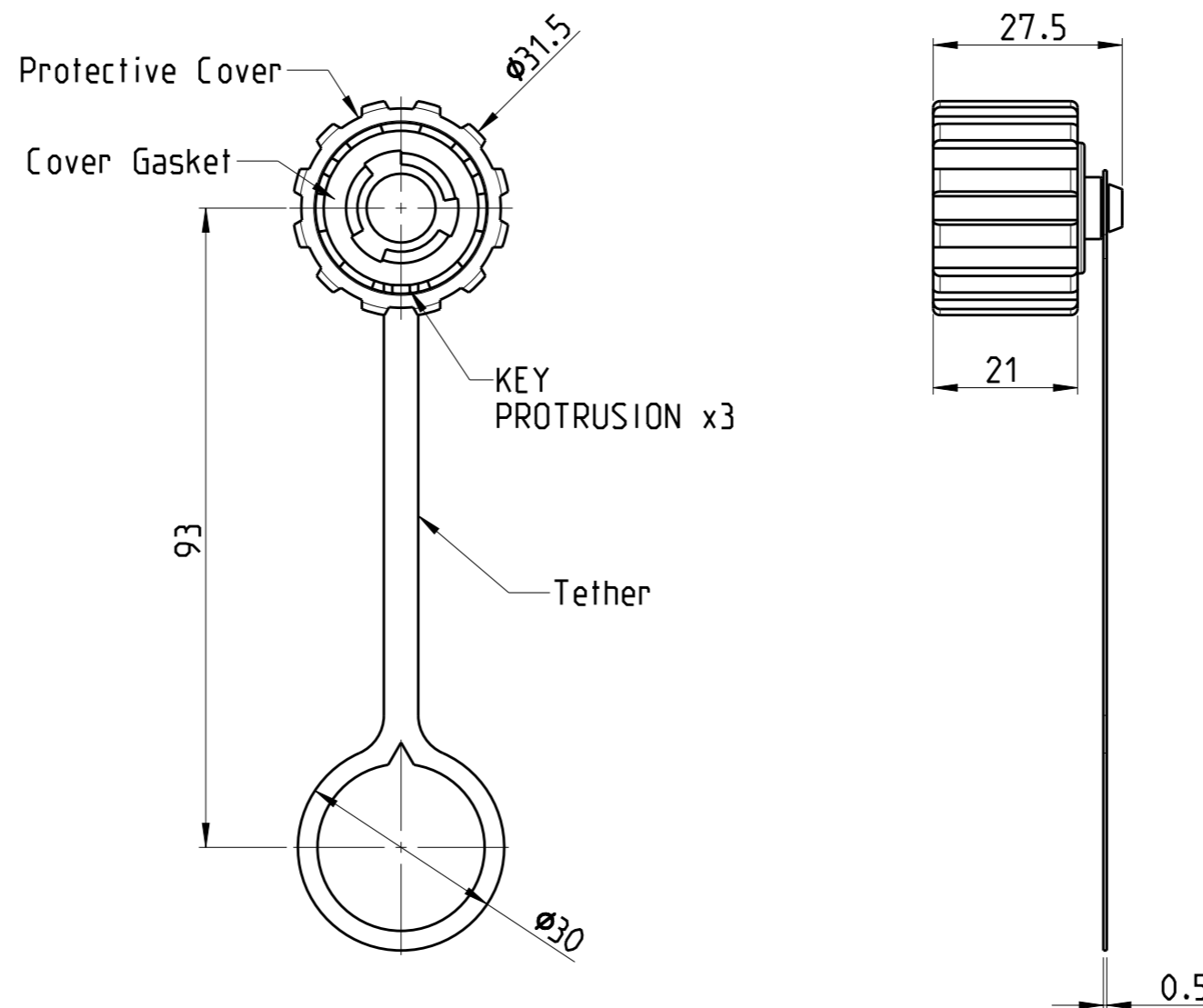
6. Material and Finish:
 - Protective Cover: PBT UL 94 V-0, black
 - Cover Gasket: Silicon, Color: Transparent
 - Tether: PE black

E81956	6	2355444-2
E81956	1	2355444-1
UL NO.	MATERIAL	TEPN

THIS DRAWING IS A CONTROLLED DOCUMENT.		DWN S.SHARMA 19APR2019												
DIMENSIONS: mm		CHK K.MALCZYK 24APR2019												
TOLERANCES UNLESS OTHERWISE SPECIFIED:		APVD J.de BRULIN 24APR2019												
<table border="1"> <tr> <td>0 PLC</td> <td>±0.50</td> </tr> <tr> <td>1 PLC</td> <td>±0.38</td> </tr> <tr> <td>2 PLC</td> <td>±0.25</td> </tr> <tr> <td>3 PLC</td> <td>±0.10</td> </tr> <tr> <td>4 PLC</td> <td>±</td> </tr> <tr> <td>ANGLES</td> <td>±3°</td> </tr> </table>		0 PLC			±0.50	1 PLC	±0.38	2 PLC	±0.25	3 PLC	±0.10	4 PLC	±	ANGLES
0 PLC	±0.50													
1 PLC	±0.38													
2 PLC	±0.25													
3 PLC	±0.10													
4 PLC	±													
ANGLES	±3°													
MATERIAL SEE TABLE	FINISH SEE TABLE	APPLICATION SPEC 114-19162	NAME PROTECTIVE COVER ASSEMBLY KIT	RESTRICTED TO -										
CUSTOMER DRAWING		WEIGHT -	SIZE A3	CAGE CODE 00779										
		SCALE 1:1	DRAWING NO C-2355444	SHEET 1 OF 2										
				REV B										

REVISIONS

P	LTR	DESCRIPTION	DATE	DWN	APVD
-		SEE SHEET 1	-	-	-



2355444-2 AS SHOWN

THIS DRAWING IS A CONTROLLED DOCUMENT.		DWN S.SHARMA 19APR2019	TE TE Connectivity	
		CHK K.MALCZYK 24APR2019		
		APVD J.de BRULIN 24APR2019	NAME PROTECTIVE COVER ASSEMBLY KIT	
DIMENSIONS: mm		PRODUCT SPEC -	RESTRICTED TO -	
TOLERANCES UNLESS OTHERWISE SPECIFIED:		APPLICATION SPEC 114-19162	SIZE A3	CAGE CODE 00779
0 PLC ±0.50		WEIGHT -	DRAWING NO C-2355444	
1 PLC ±0.38		CUSTOMER DRAWING	SCALE 1:1	SHEET 2 OF 2
2 PLC ±0.25				REV B
3 PLC ±0.10				
4 PLC ±				
ANGLES ±3°				
MATERIAL SEE TABLE	FINISH SEE TABLE			

单击下面可查看定价，库存，交付和生命周期等信息

[>>TE Connectivity\(泰科\)](#)