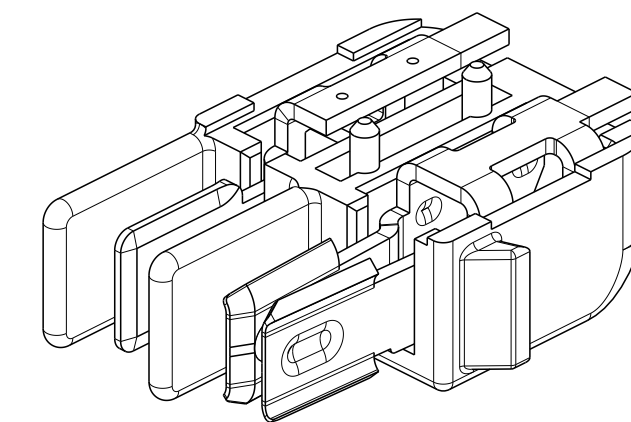
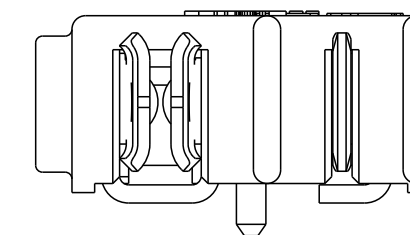
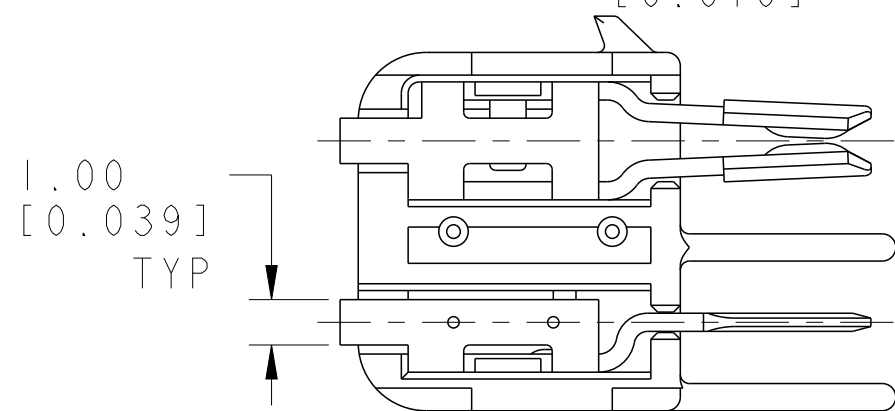
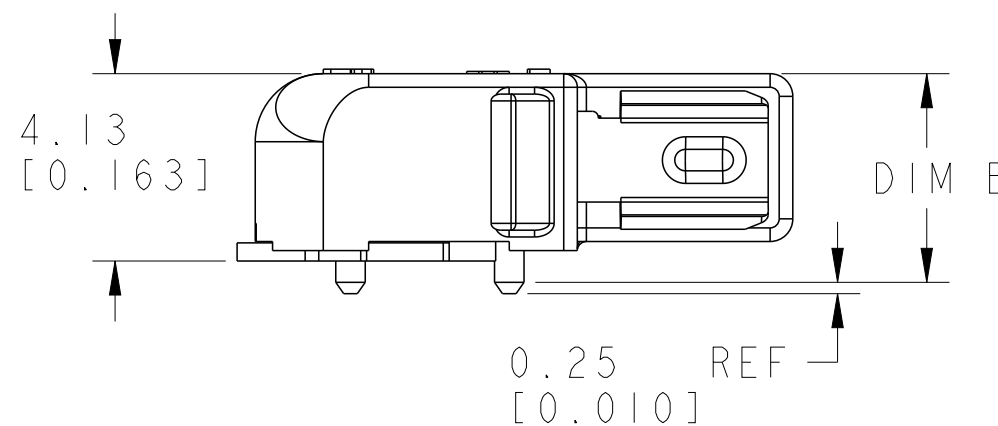
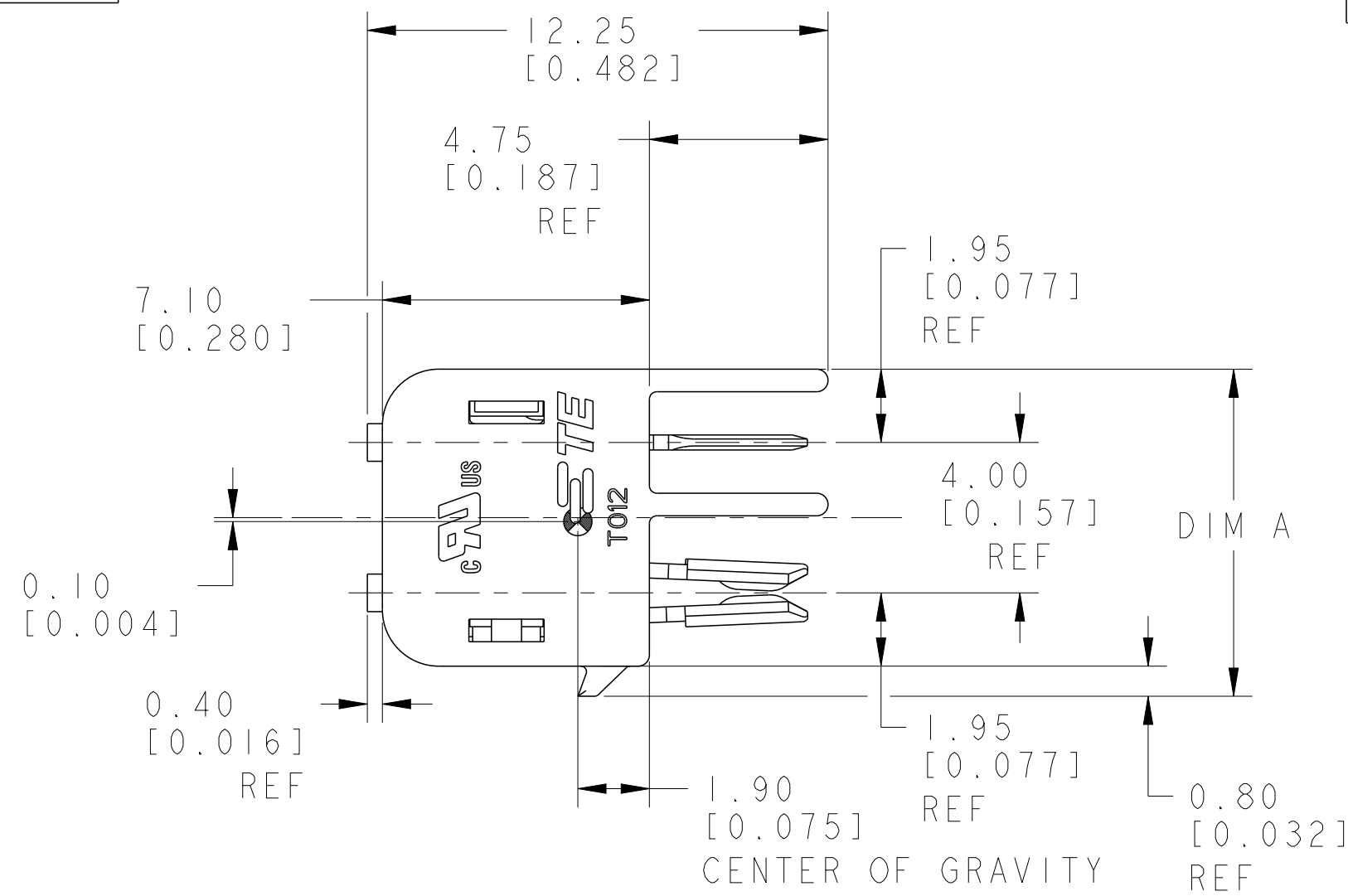


THIS DRAWING IS UNPUBLISHED. RELEASED FOR PUBLICATION 20  
 © COPYRIGHT 20 BY - ALL RIGHTS RESERVED.

LOC		DIST		REVISIONS			
P	LTR	DESCRIPTION	DATE	DWN	APVD		
	A1	REVISED PER ECR-13-005787	16APR2013	RS	DD		
	B	REVISED PER ECR-16-012300	26AUG2016	RS	PO		
	B1	REVISED PER ECR-16-016095	16NOV2016	RK	PO		
	B2	REVISED PER ECR-16-017644	28DEC2016	RK	PO		

NOTES:

- 1 MATERIALS AND FINISH
  - HOUSING: LCP
  - CONTACTS: COPPER ALLOY, FINISH: TIN
- 2. PRODUCT TO COMPLY WITH DIRECTIVE 2002/95/EC (ROHS)
- 3. PACKAGED IN TAPE AND REEL PER EIA-481 SPECIFICATIONS
- 4 PRELIMINARY



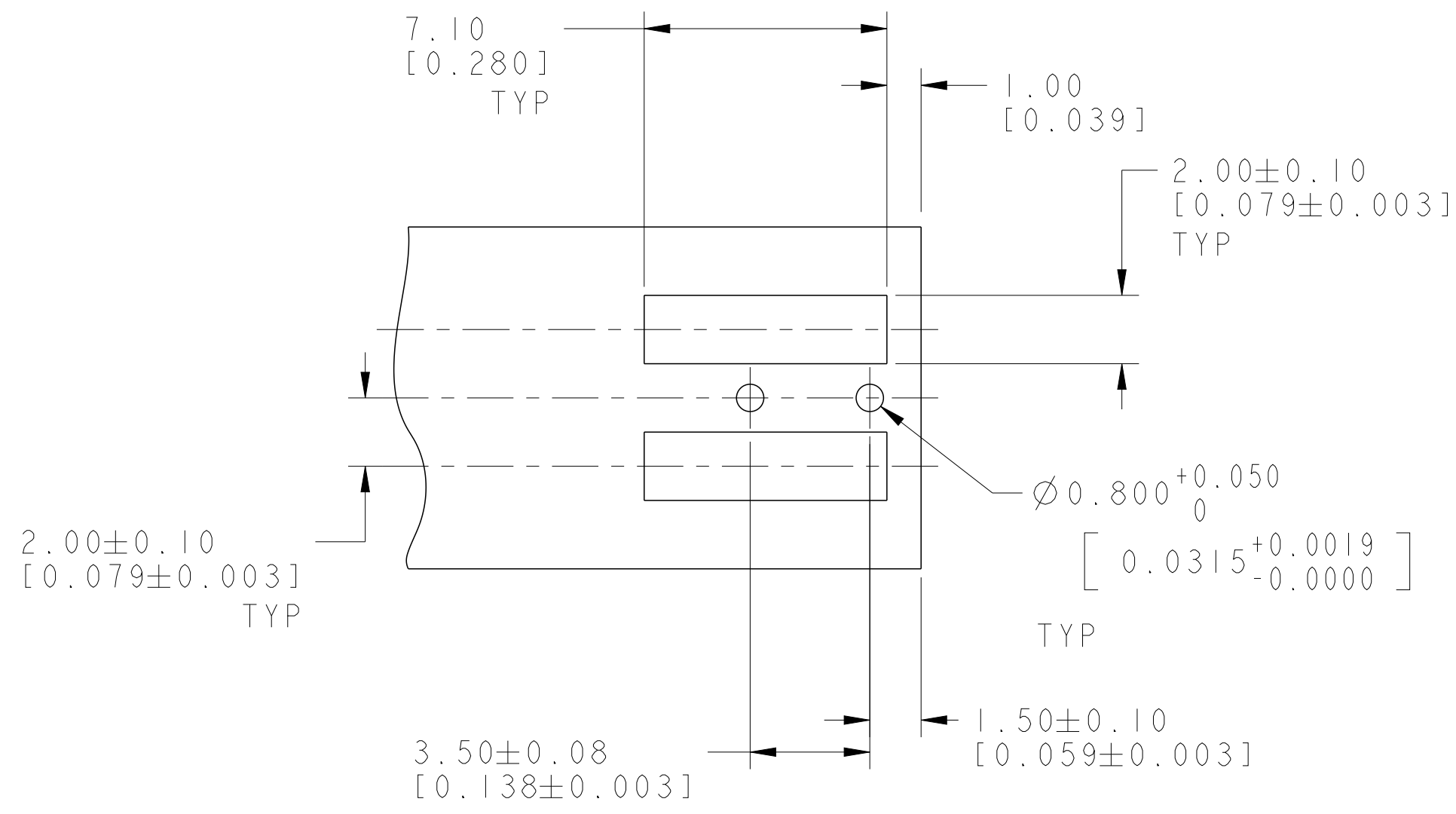
2154640-1 SHOWN

4	6	BLACK	5.10 [0.201]	24.70	1-2154640-4
	6	BLACK	4.60 [0.181]	24.70	1-2154640-3
	4	BLACK	4.60 [0.181]	16.70	1-2154640-2
	2	BLACK	4.60 [0.181]	8.70	1-2154640-1
4	6	NATURAL	5.10 [0.201]	24.70	2154640-4
	6	NATURAL	4.60 [0.181]	24.70	2154640-3
	4	NATURAL	4.60 [0.181]	16.70	2154640-2
	2	NATURAL	4.60 [0.181]	8.70	2154640-1
		POSITION	COLOR	DIM B	DIM A
					PART NO.

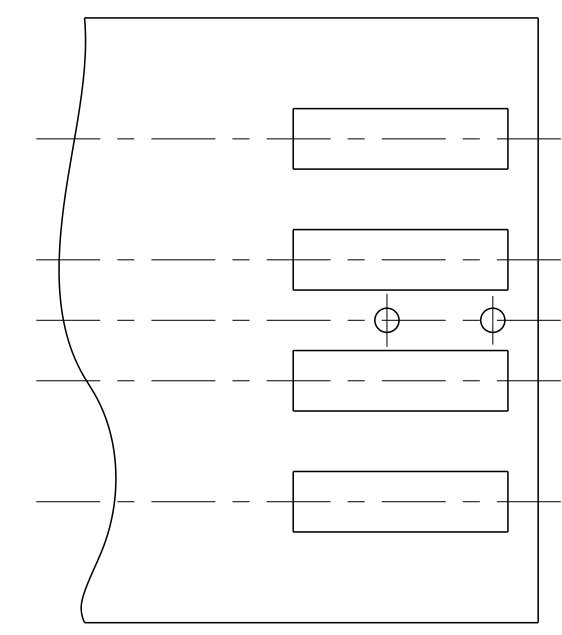
THIS DRAWING IS A CONTROLLED DOCUMENT.		DWN ARAVINDA S 28APRIL2011	TE Connectivity	
		CHK D. DECKER 28APRIL2011		
DIMENSIONS: mm		APVD D. DECKER	NAME CONNECTOR ASSEMBLY, HERMAPHRODITIC BLADE AND RECEPTACLE, WITH LATCH AND BOSS	
TOLERANCES UNLESS OTHERWISE SPECIFIED: 0 PLC ± 1 PLC ± 2 PLC ±0.13 3 PLC ±0.013 4 PLC ± ANGLES ±1° FINISH		PRODUCT SPEC 108-2342	SIZE A2	CAGE CODE 00779
MATERIAL		APPLICATION SPEC 114-13225	DRAWING NO C-2154640	RESTRICTED TO
		WEIGHT	SCALE 5:1	SHEET 1 OF 3
		CUSTOMER DRAWING		REV B2

THIS DRAWING IS UNPUBLISHED. RELEASED FOR PUBLICATION 20  
 © COPYRIGHT 20 BY - ALL RIGHTS RESERVED.

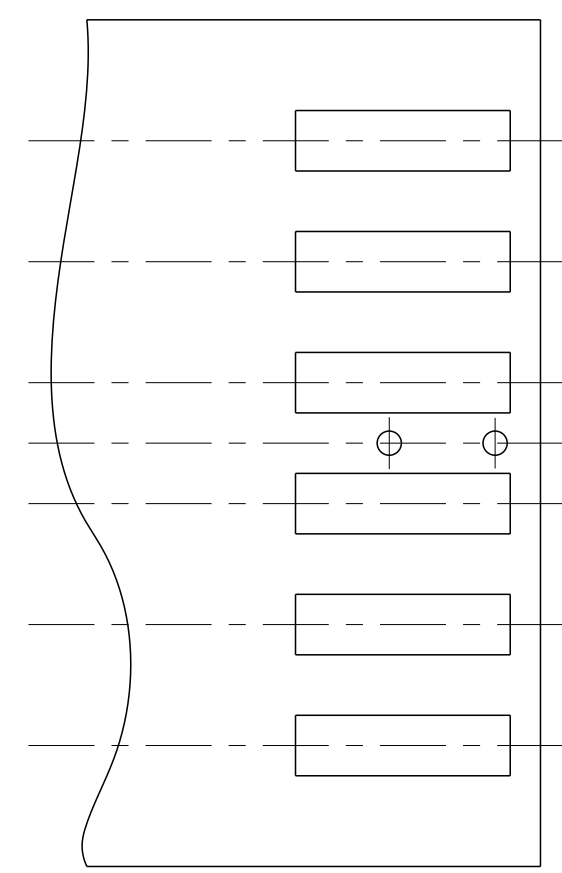
LOC	DIST	REVISIONS			
P	LTR	DESCRIPTION	DATE	DWN	APVD
-	-	SEE SHEET 1	-	-	-



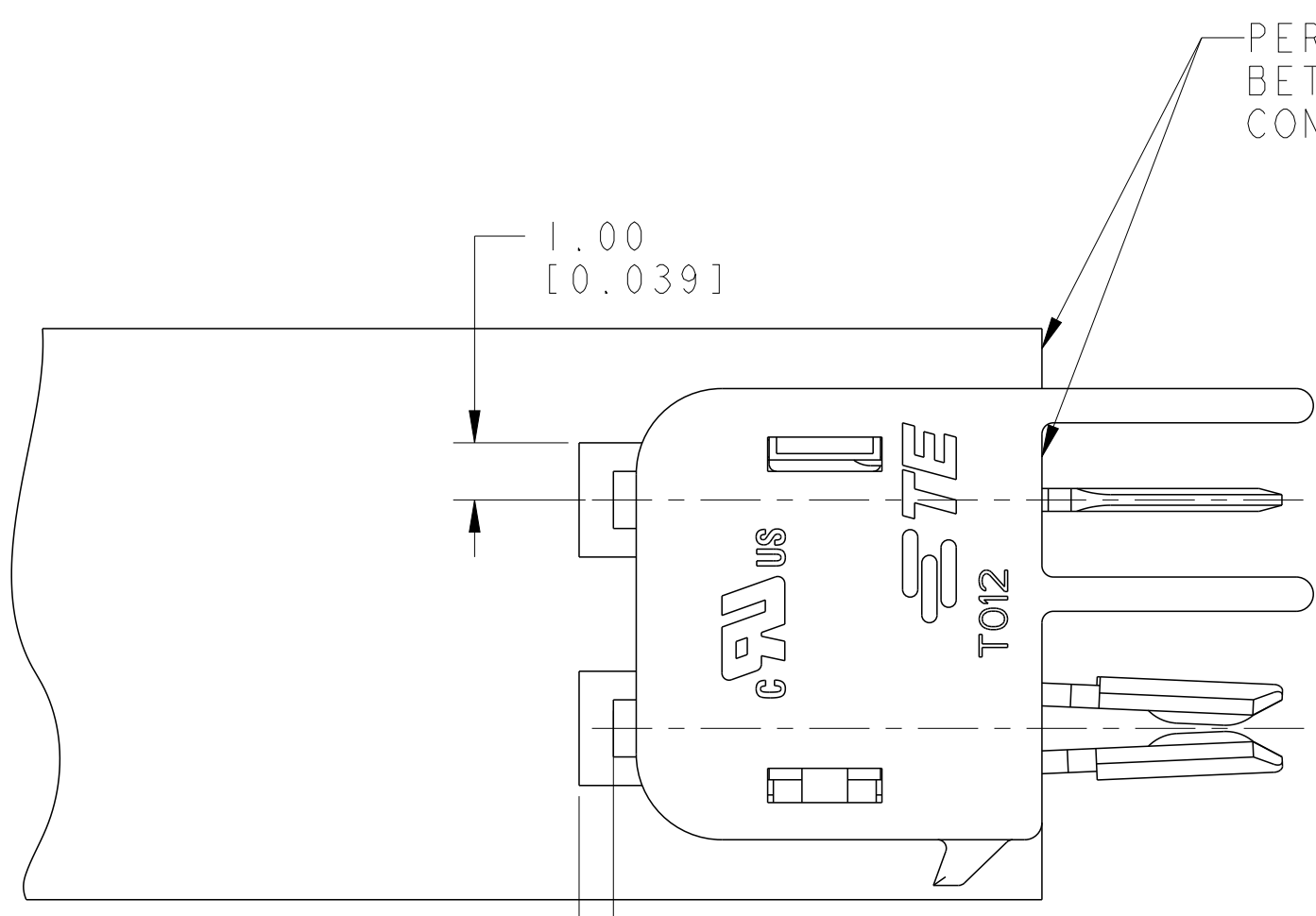
RECOMMENDED PCB LAYOUT FOR 2154640-1 & 1-2154640-1



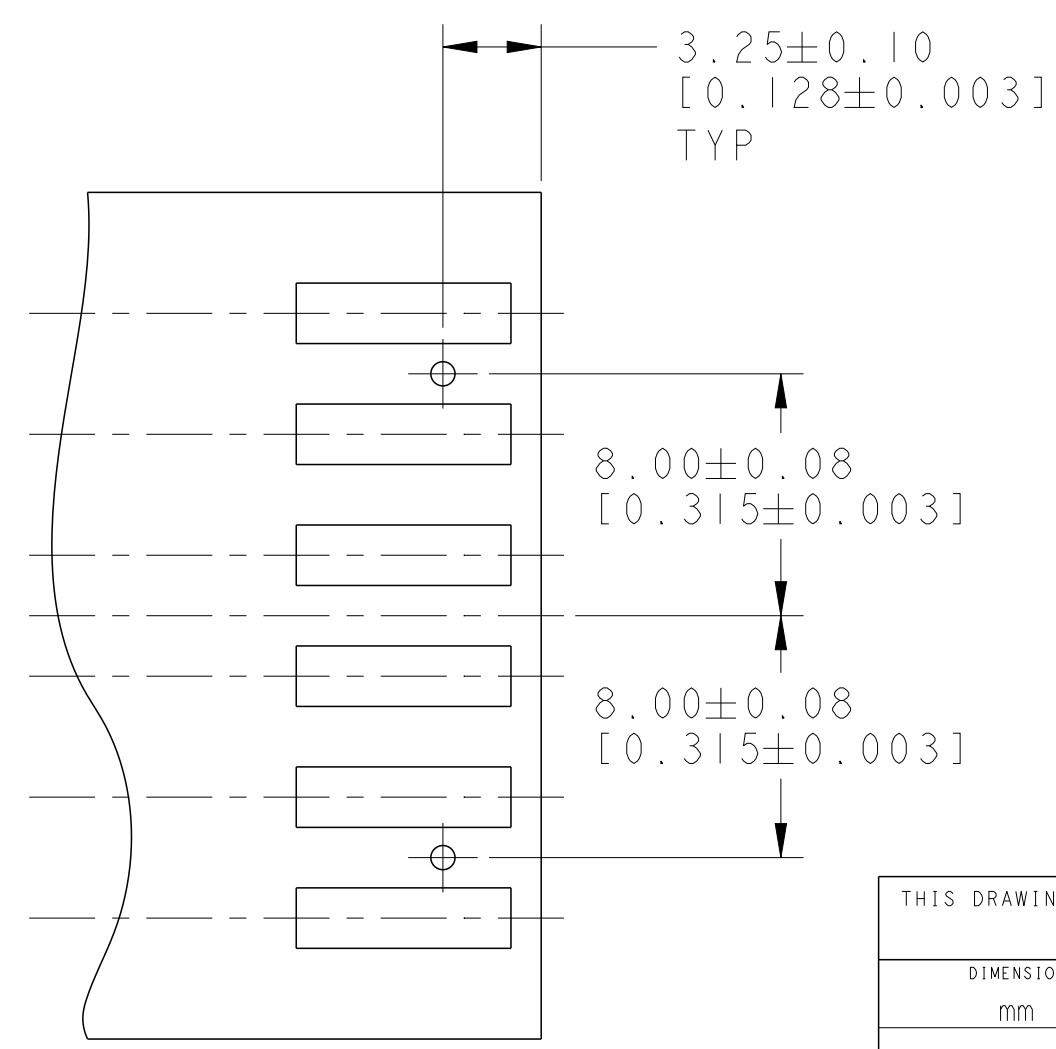
RECOMMENDED PCB LAYOUT FOR 2154640-2 & 1-2154640-2



RECOMMENDED PCB LAYOUT FOR 2154640-3 & 1-2154640-3



SCALE 8:1

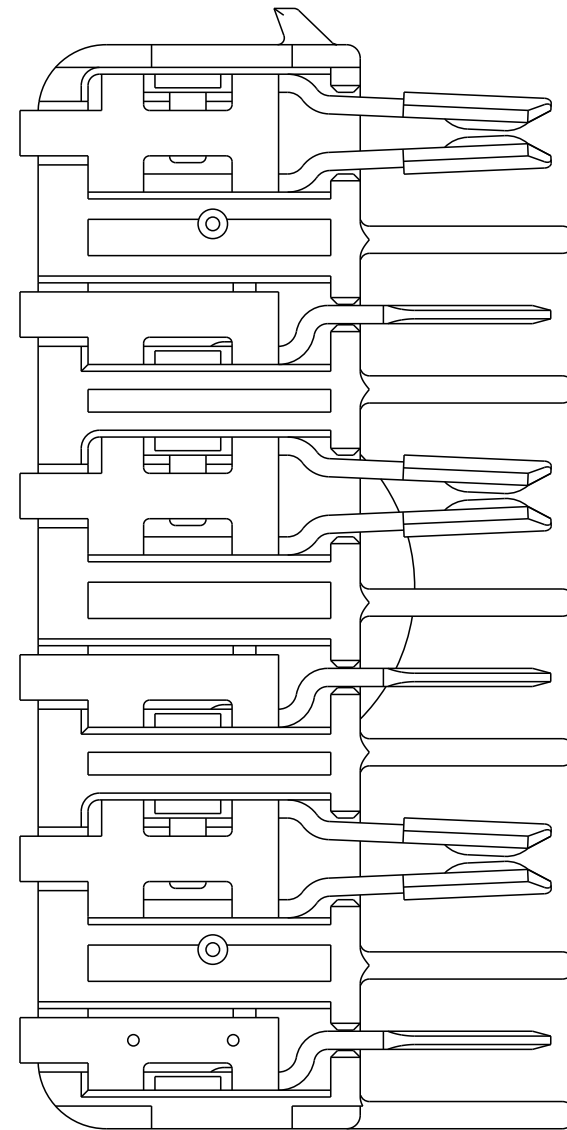
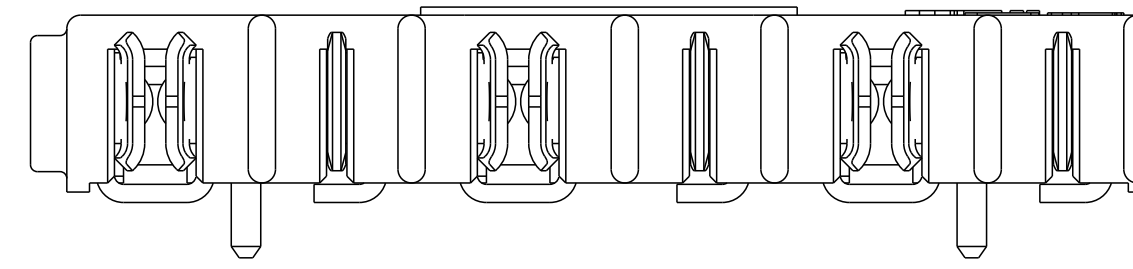
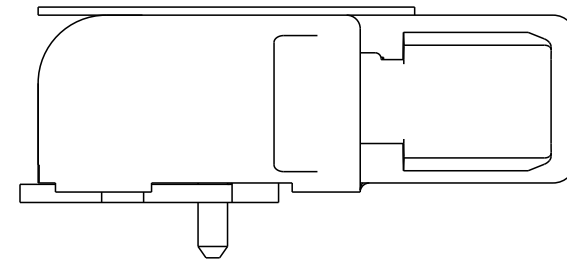
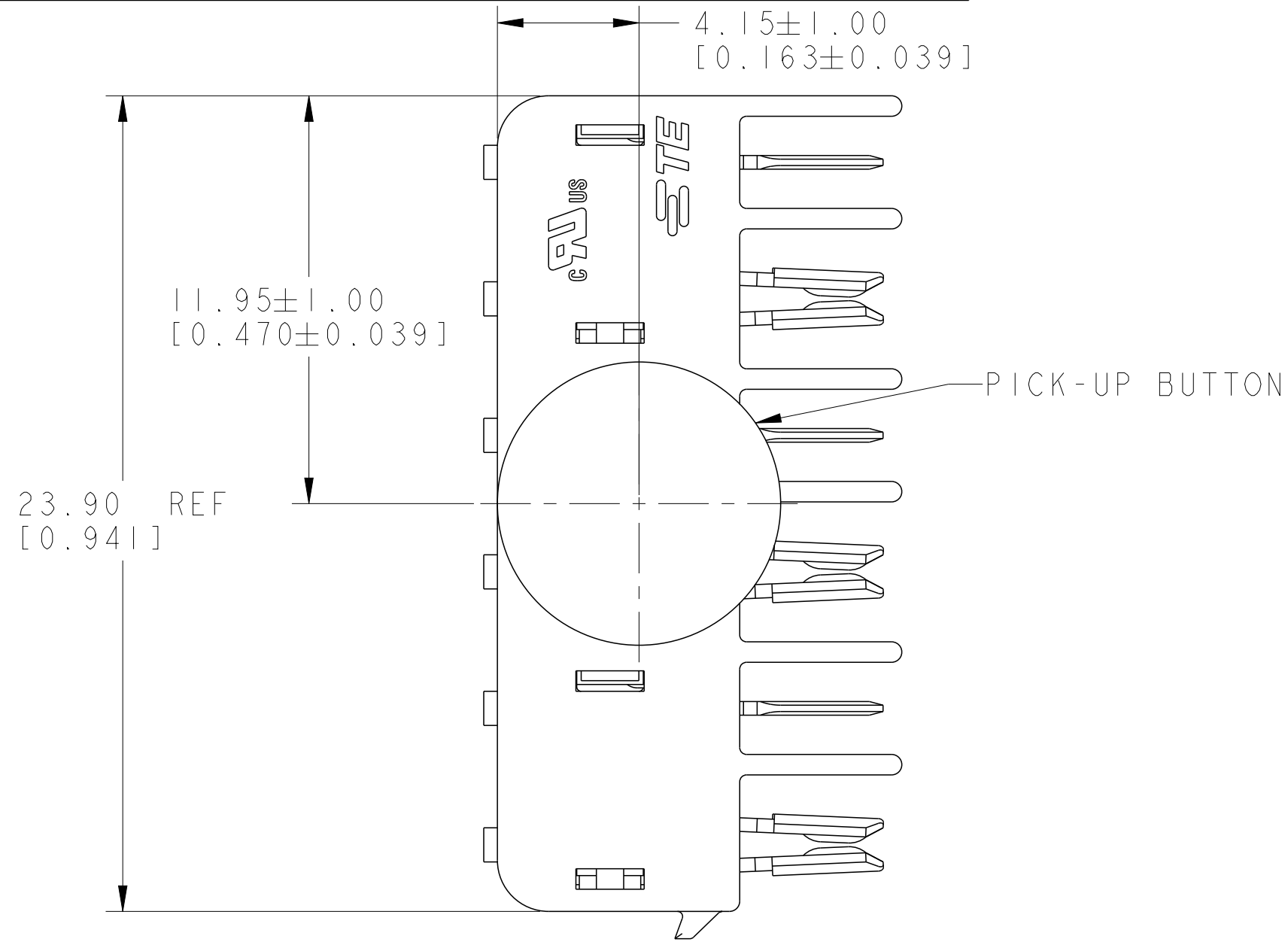


RECOMMENDED PCB LAYOUT FOR 2154640-4 & 1-2154640-4

THIS DRAWING IS A CONTROLLED DOCUMENT.		DWN 28APRIL2011 ARAVINDA S	<b>STE</b> TE Connectivity	
		CHK 28APRIL2011 D. DECKER		
DIMENSIONS: mm		APVD -	NAME	
TOLERANCES UNLESS OTHERWISE SPECIFIED:		PRODUCT SPEC	CONNECTOR ASSEMBLY, HERMAPHRODITIC BLADE AND RECEPTACLE, WITH LATCH AND BOSS	
0 PLC ±-	1 PLC ±-	108-2342	SIZE	CAGE CODE
2 PLC ±0.13	3 PLC ±0.013	APPLICATION SPEC	A200779	DRAWING NO
4 PLC ±-	ANGLES ±1°	114-13225	SCALE 5:1	SHEET 2 OF 3
MATERIAL	FINISH	WEIGHT -	C-2154640	REV B2
CUSTOMER DRAWING			RESTRICTED TO -	

THIS DRAWING IS UNPUBLISHED. RELEASED FOR PUBLICATION 20  
 © COPYRIGHT 20 BY - ALL RIGHTS RESERVED.

LOC		DIST		REVISIONS			
P	LTR	DESCRIPTION		DATE	DWN	APVD	
-	-	SEE SHEET 1		-	-	-	



2154640-4, 1-2154640-4  
SHOWN

THIS DRAWING IS A CONTROLLED DOCUMENT.		DWN 28 APRIL 2011 ARAVINDA S	<b>STE</b> TE Connectivity	
DIMENSIONS: mm		CHK 28 APRIL 2011 D. DECKER		
TOLERANCES UNLESS OTHERWISE SPECIFIED:		APVD - D. DECKER	NAME CONNECTOR ASSEMBLY, HERMAPHRODITIC BLADE AND RECEPTACLE, WITH LATCH AND BOSS	
0 PLC ±-		PRODUCT SPEC 108-2342	SIZE	RESTRICTED TO
1 PLC ±-		APPLICATION SPEC 114-13225	CAGE CODE A200779	DRAWING NO C-2154640
2 PLC ±0.13		WEIGHT	SCALE 6:1	SHEET 3 OF 3
3 PLC ±0.013		CUSTOMER DRAWING	REV B2	
4 PLC ±				
ANGLES ±1°				
FINISH				

单击下面可查看定价，库存，交付和生命周期等信息

[>>TE Connectivity\(泰科\)](#)