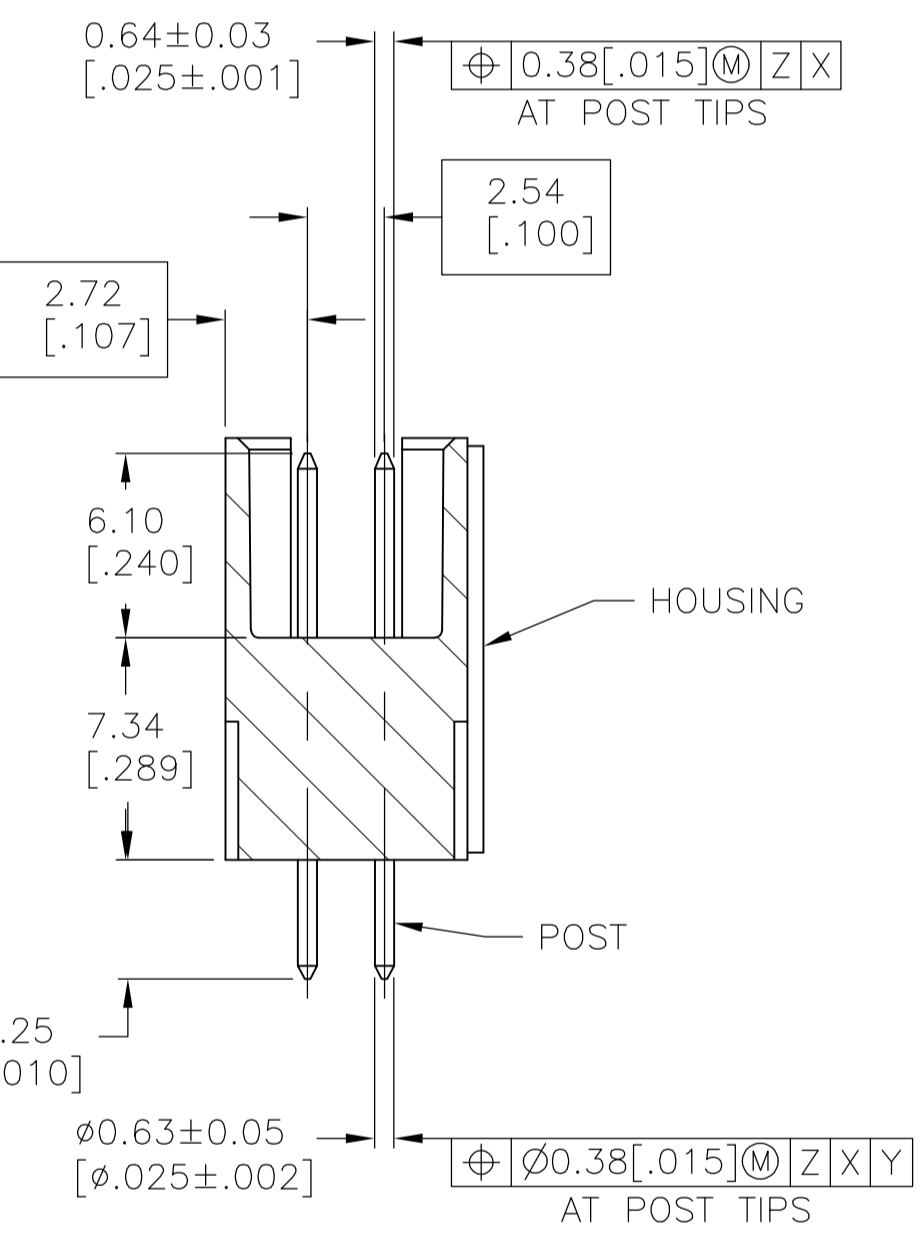
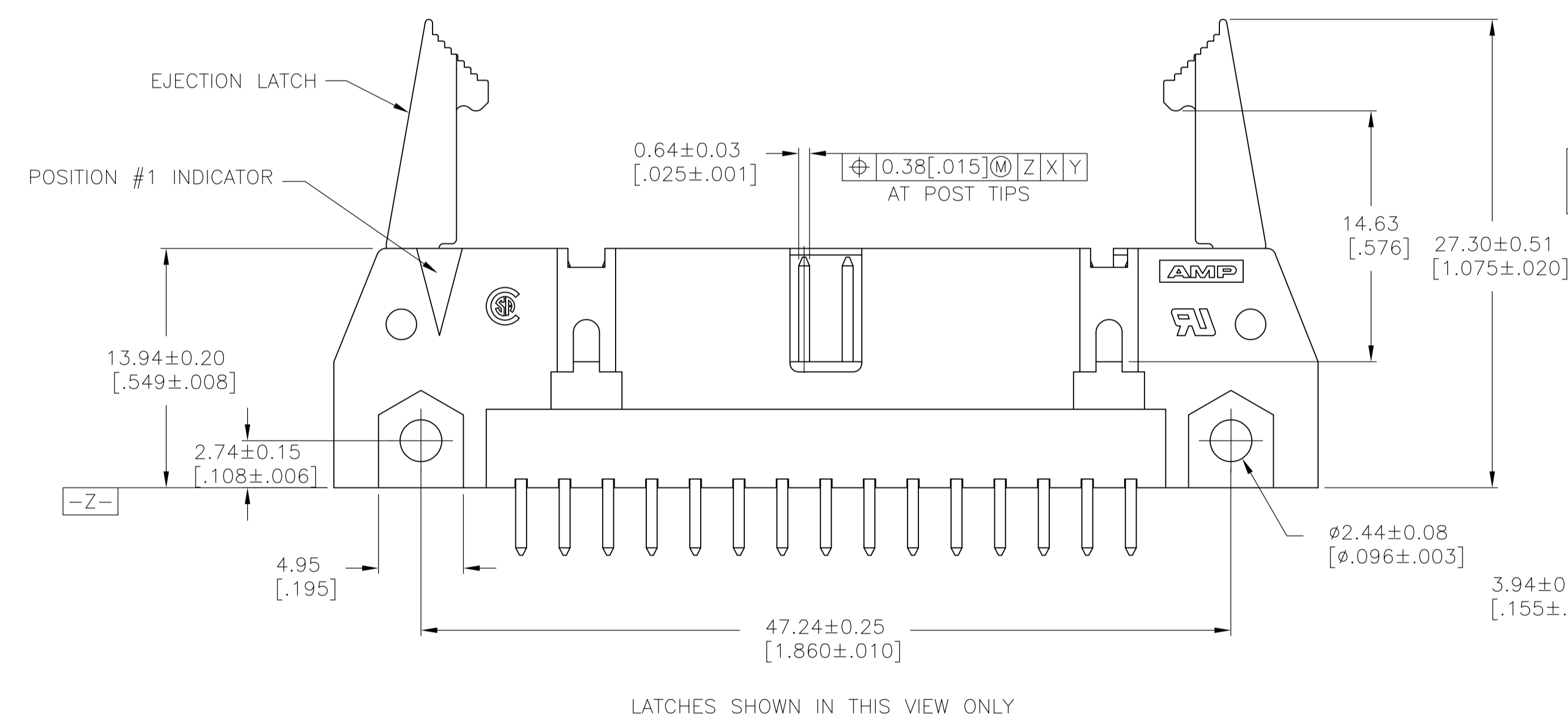
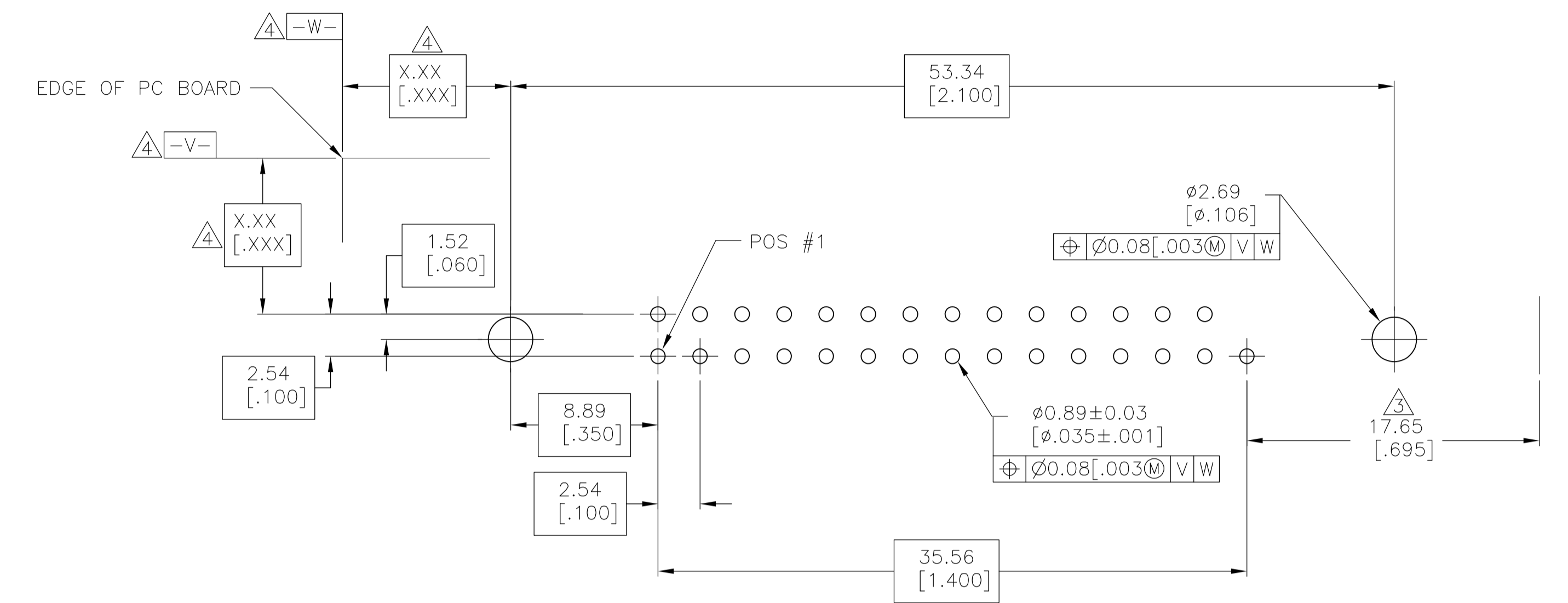
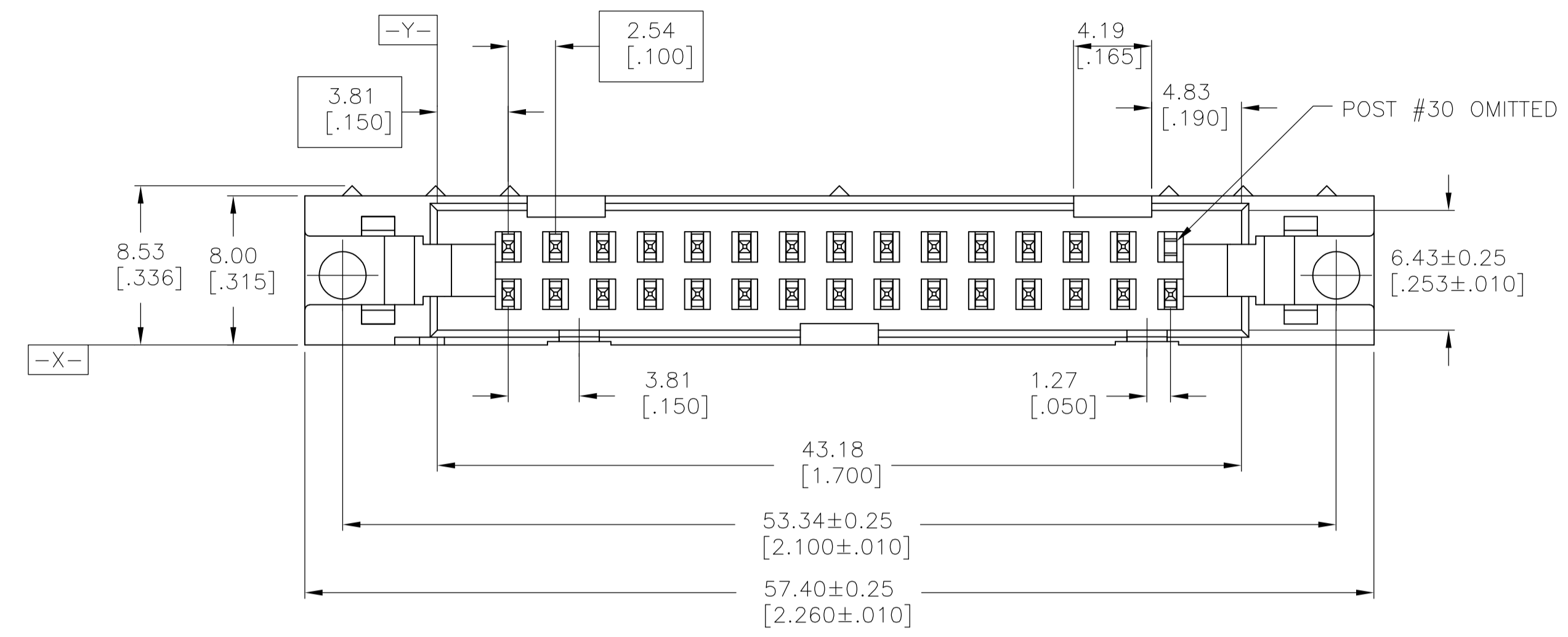
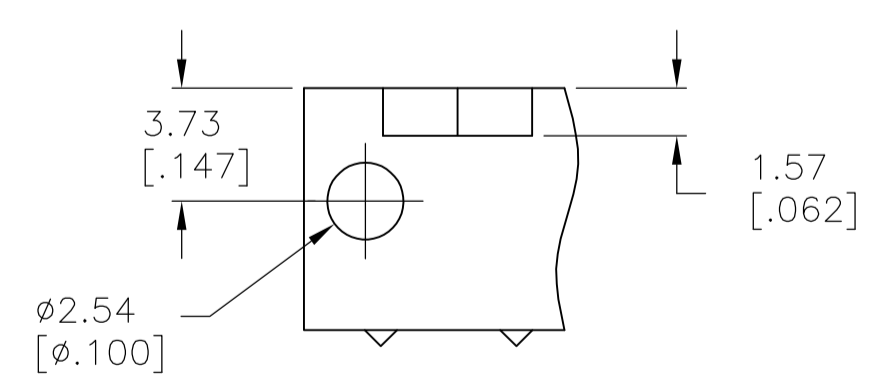


LOC		DIST		REVISIONS			
GP	00	F	LTR	DESCRIPTION	DATE	DMN	APVD
B				REVISED PER ECO-10-021203	23NOV10	HMR	SB



- 1 HOUSING AND LATCHES: GLASS FILLED NYLON OR POLYESTER, UL94V-0 RATED, COLOR BLACK. POSTS: PHOSPHOR BRONZE.
- 2 POSTS: GOLD FLASH OVER PALLADIUM-NICKEL PLATE 0.38µm[.000015] MIN TOTAL ON THE MATING SURFACES, 2.54µm[.000100] MIN TIN PLATE ON THE SOLDER-TAILS, 1.27µm[.000050] MIN NICKEL UNDERPLATE ON THE ENTIRE POST.  
-OR-  
0.38µm[.000015] MIN GOLD PLATE ON THE MATING SURFACES, 2.54µm[.000100] MIN TIN PLATE ON THE SOLDER-TAILS, 1.27µm[.000050] MIN NICKEL UNDERPLATE ON THE ENTIRE POST.
- 3 DISTANCE REQUIRED BY LATCHES IN THE OPEN POSITION, BOTH ENDS.
- 4 DATUMS AND BASIC DIMENSIONS TO BE ESTABLISHED BY CUSTOMER.



30	6658750-1
NO OF POS	PART NUMBER

**COPYRIGHT 2005  
 TYCO ELECTRONICS CORP  
 ALL RIGHTS RESERVED**

THIS DRAWING IS A CONTROLLED DOCUMENT.		DIN	01-12-05	Tyco Electronics Corporation Harrisburg, PA 17105-3608
		A. FERNANDEZ-DUCKS	01-12-05	
DIMENSIONS: mm [INCHES]		CHK	01-12-05	Tyco Electronics
TOLERANCES UNLESS OTHERWISE SPECIFIED:		S. BOLASH	01-12-05	
0. PLC	± -	APVD	M. WALMSLEY	
1. PLC	± -	NAME	M. WALMSLEY	
2. PLC	± -	PRODUCT SPEC	108-40018	
3. PLC	± 0.13(.005)	APPLICATION SPEC		
4. PLC	± -	SIZE	A1	
ANGLES	± -	WEIGHT	00779	
MATERIAL	FINISH	CUSTOMER DRAWING	SCALE 4:1	
			SHEET 1 OF 1	
			REV B	

单击下面可查看定价，库存，交付和生命周期等信息

[>>TE Connectivity\(泰科\)](#)