

THIS DRAWING IS UNPUBLISHED.

RELEASED FOR PUBLICATION

20

© COPYRIGHT 20 Tyco Electronics AMP GmbH

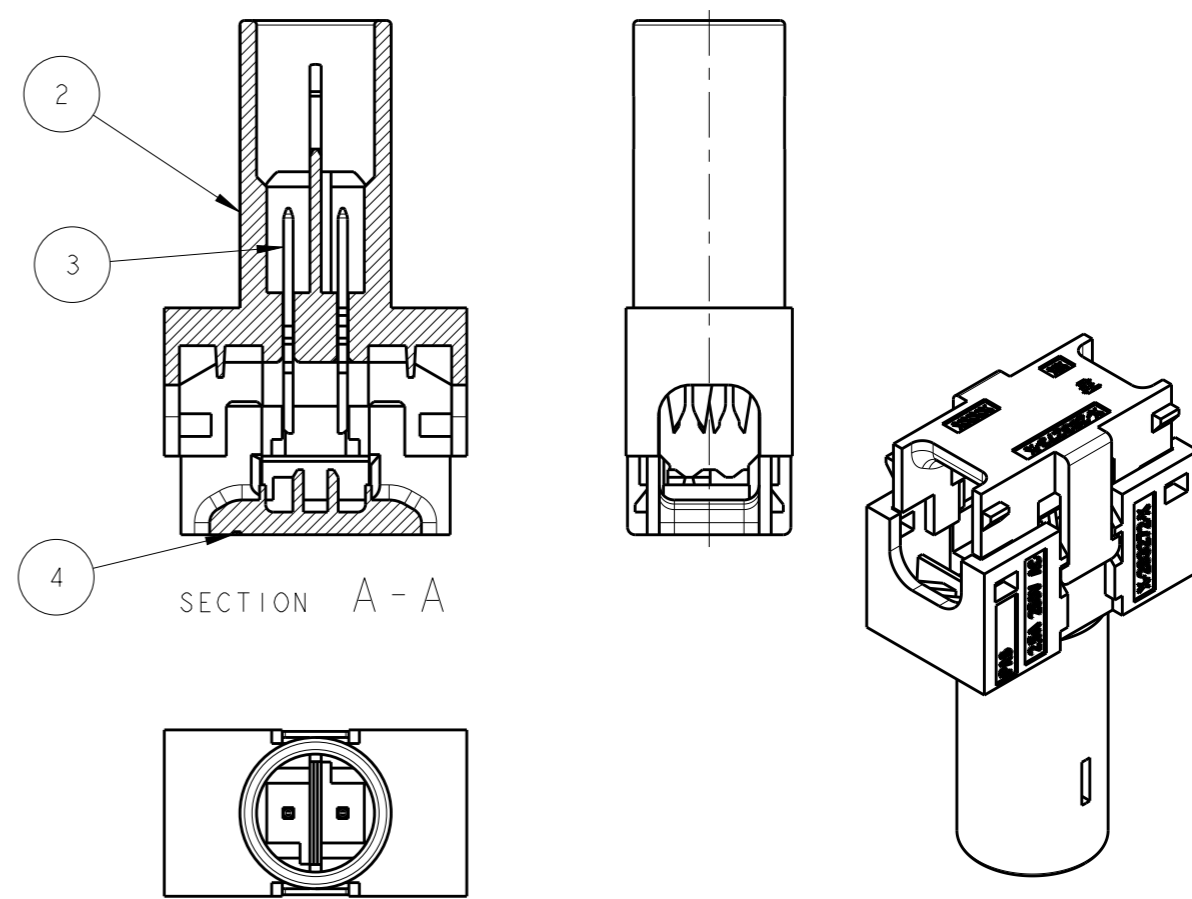
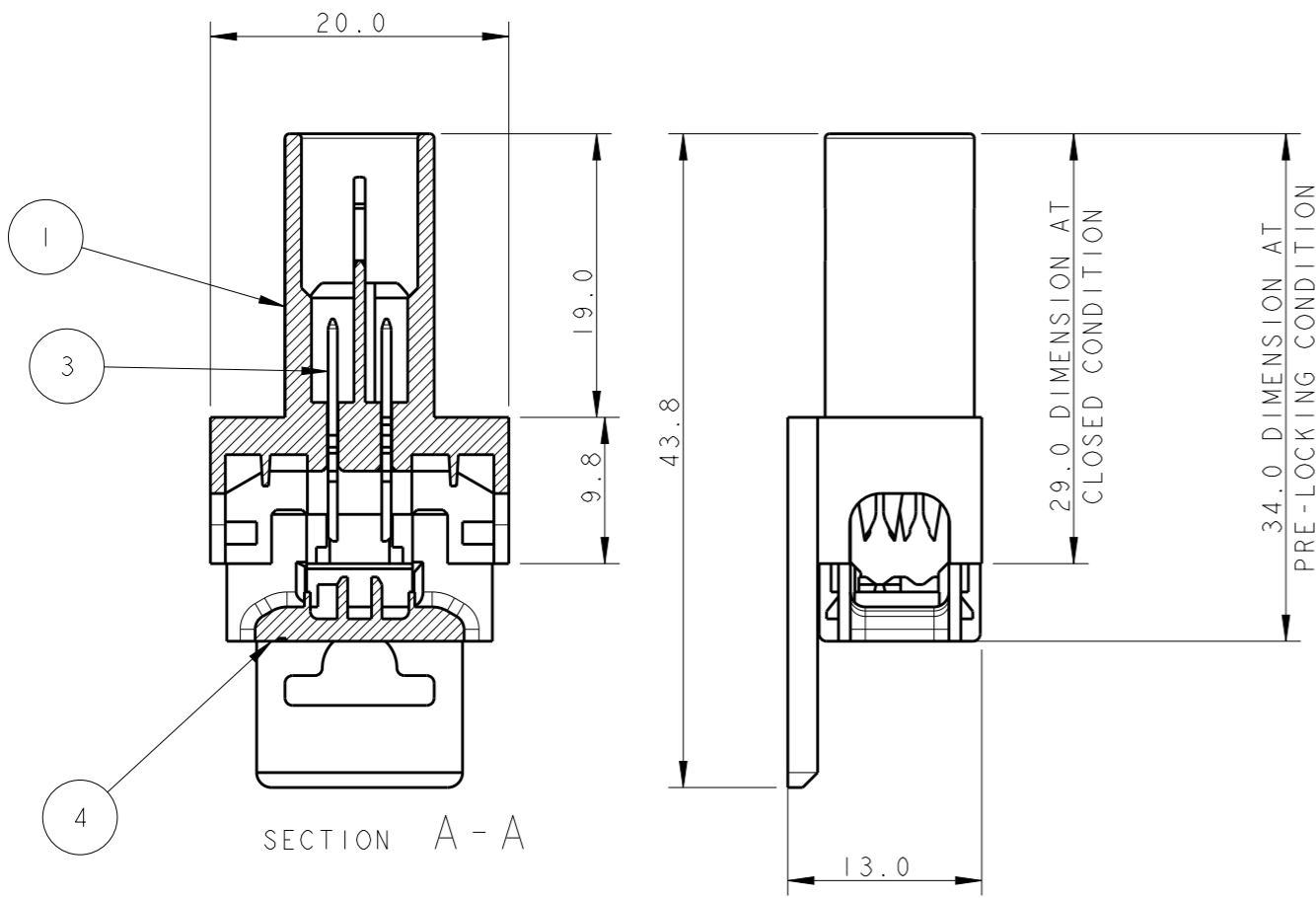
ALL RIGHTS RESERVED.

LOC
A1

DIST
-

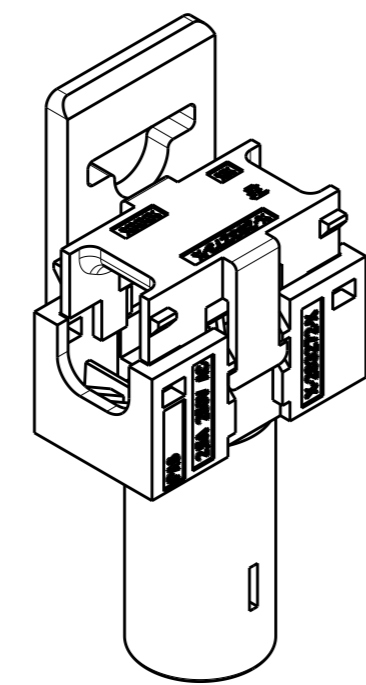
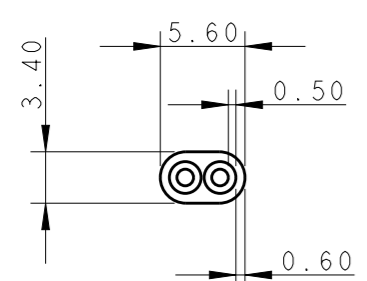
REVISIONS

P	LTR	DESCRIPTION	DATE	DWN	APVD
L		IMPROVED LOCKING RETENTION TEETH	20MAY2011	AV	GT
M		REMOVED H05VVH2-F CABLE	22AUG2012	MZ	JC
N		ECR-16-004670	26APR2016	RS	JL



CABLE CONFIGURATION


CABLE H03VVH2-F
2x0.75 mm²



P/N 0-293300-1;-2 AS SHOWN
POLARIZATION KEY HV-1

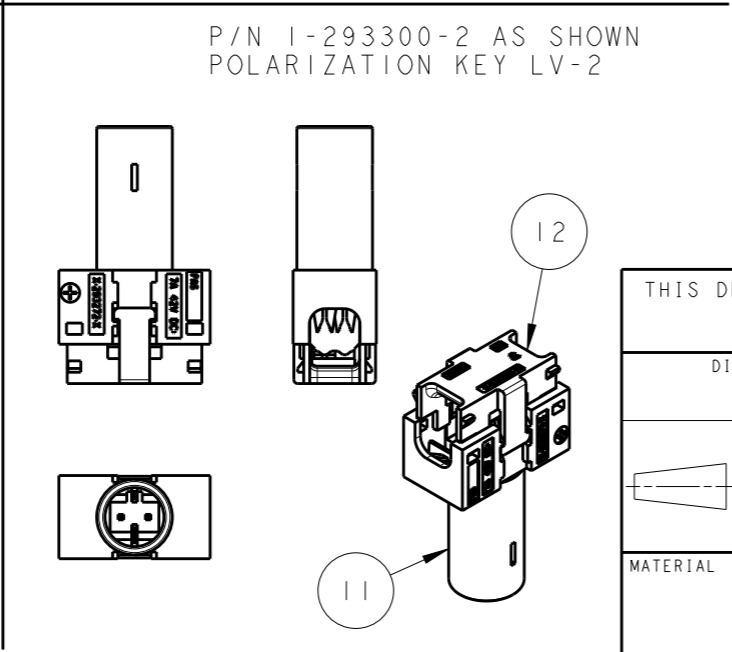
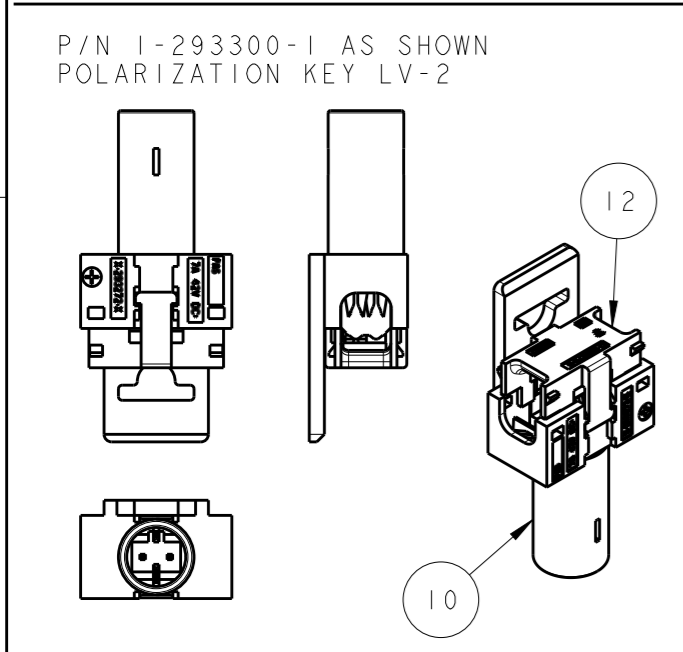
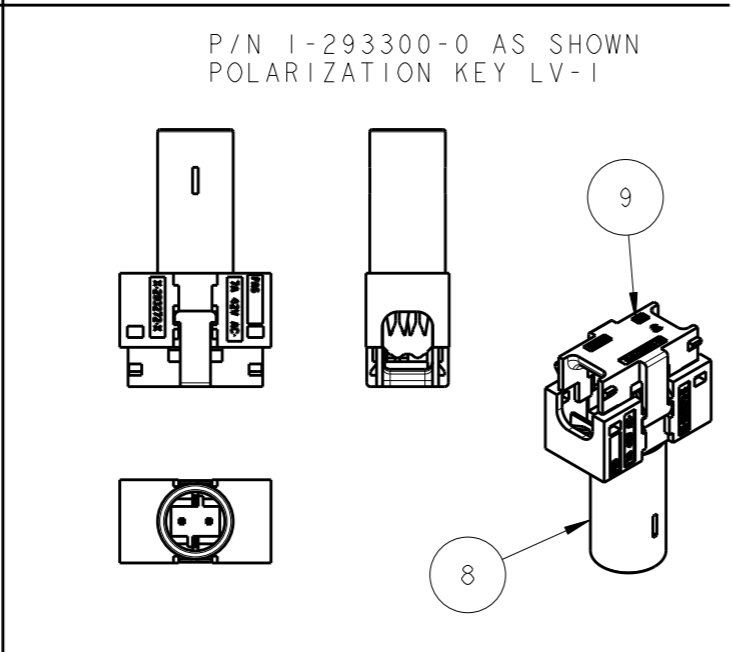
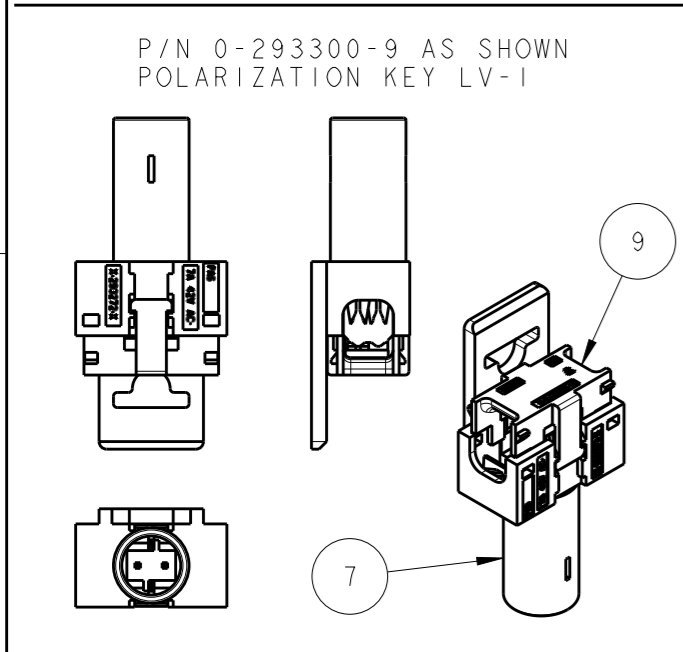
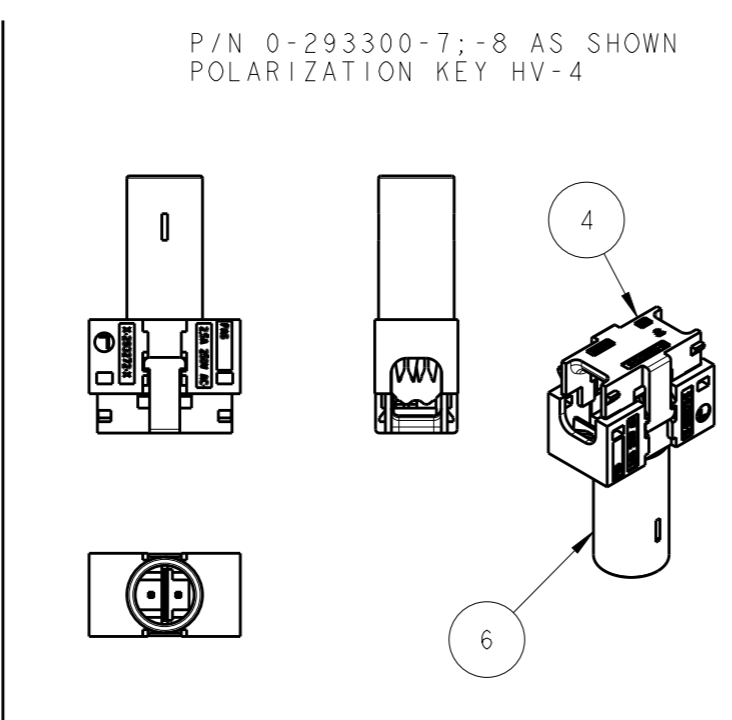
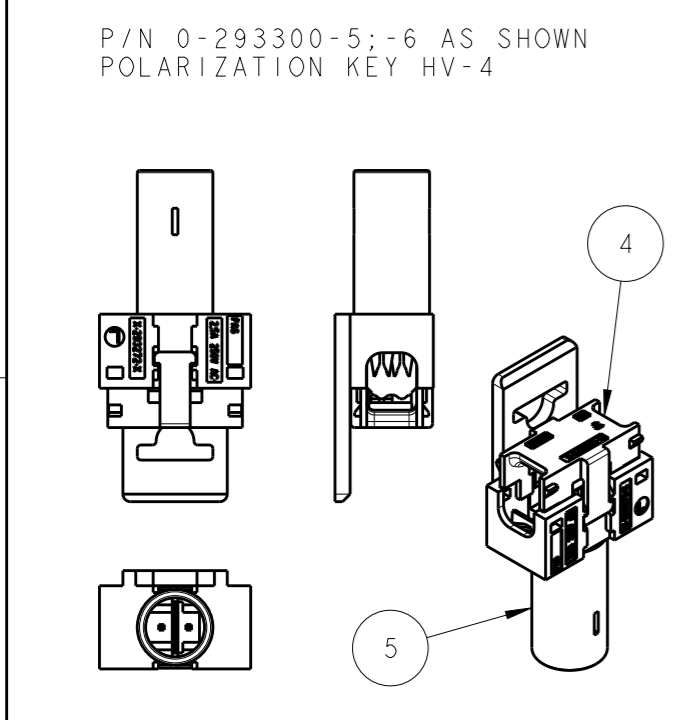
MISSING DIMENSION SEE P/N 0-...-1

P/N 0-293300-3;-4 AS SHOWN
POLARIZATION KEY HV-1

THIS DRAWING IS A CONTROLLED DOCUMENT.		DWN A. Vecchia 23APR2007	 TE Connectivity	
DIMENSIONS: mm		CHK G. Turco 23APR2007		
TOLERANCES UNLESS OTHERWISE SPECIFIED:		APVD G. Turco 23APR2007	NAME BUS BAR 2 POSITION GENERAL	
0 PLC ±- 1 PLC ±0.3 2 PLC ±0.05 3 PLC ±- 4 PLC ±- ANGLES ±°		PRODUCT SPEC 108-94018	SIZE A300779	
MATERIAL -		APPLICATION SPEC 114-20131	CAGE CODE C-293300	DRAWING NO
FINISH -		WEIGHT -	RESTRICTED TO	
		CUSTOMER DRAWING	SCALE 2:1	SHEET 1 OF 2
			REV N	

THIS DRAWING IS UNPUBLISHED. RELEASED FOR PUBLICATION 20
 © COPYRIGHT 20 Tyco Electronics AMP GmbH ALL RIGHTS RESERVED.

LOC	DIST	REVISIONS					
A1	-	P	LTR	DESCRIPTION	DATE	DWN	APVD
		-		SEE SHEET 1	-	-	-



																	COVER YELLOW	12
																	BODY HOUSING W/O FLANGE YELLOW LV-2	11
																	BODY HOUSING YELLOW LV-2	10
																	COVER LIGHT GREY	9
																	BODY HOUSING W/O FLANGE LIGHT GREY LV-1	8
																	BODY HOUSING LIGHT GREY LV-1	7
																	BODY HOUSING W/O FLANGE BLACK HV-4	6
																	BODY HOUSING W/O FLANGE WHITE HV-4	6
																	BODY HOUSING BLACK HV-4	5
																	BODY HOUSING WHITE HV-4	5
																	COVER BLACK	4
																	COVER WHITE	4
2	2	2	2	2	2	2	2	2	2	2	2	2					CONTACT	3
																	BODY HOUSING W/O FLANGE BLACK HV-1	2
																	BODY HOUSING W/O FLANGE WHITE HV-1	2
																	BODY HOUSING BLACK HV-1	1
																	BODY HOUSING WHITE HV-1	1
1-2	1-1	1-0	-9	-8	-7	-6	-5	-4	-3	-2	-1						DESCRIPTION	ITEM
L	L	L	L	L	L	L	L	L	L	L	L						REVISIONE DELL'ASSEMBLATO (REV. OF EACH ASSY NO)	
LV-2	LV-2	LV-1	LV-1	HV-4	HV-4	HV-4	HV-4	HV-1	HV-1	HV-1	HV-1						KEYING ELENCO DEI COMPONENTI (PART LIST)	

THIS DRAWING IS A CONTROLLED DOCUMENT.

DIMENSIONS: mm	TOLERANCES UNLESS OTHERWISE SPECIFIED: 0 PLC ±.3 1 PLC ±0.3 2 PLC ±0.05 3 PLC ±. 4 PLC ±. ANGLES ±°
MATERIAL	FINISH

DWN A. Vecchia 23APR2007	CHK G. Turco 23APR2007	APVD G. Turco 23APR2007
PRODUCT SPEC 108-94018		
APPLICATION SPEC 114-20131		
WEIGHT -		

TE TE Connectivity

NAME
BUS BAR 2 POSITION GENERAL

SIZE	CAGE CODE	DRAWING NO	RESTRICTED TO
A3	00779	C-293300	-

CUSTOMER DRAWING SCALE 2:1 SHEET 2 OF 2 REV N

单击下面可查看定价，库存，交付和生命周期等信息

[>>TE Connectivity\(泰科\)](#)