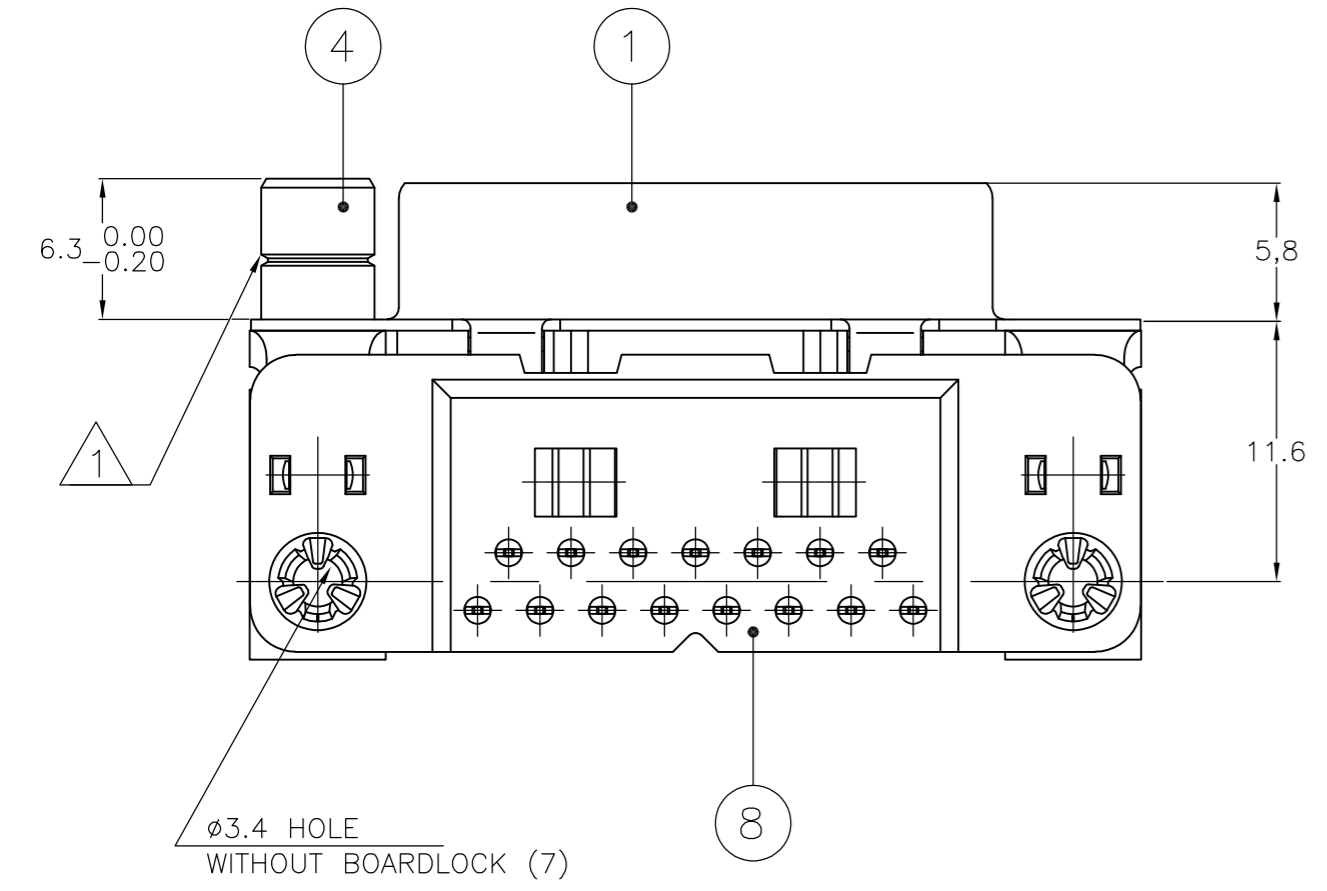
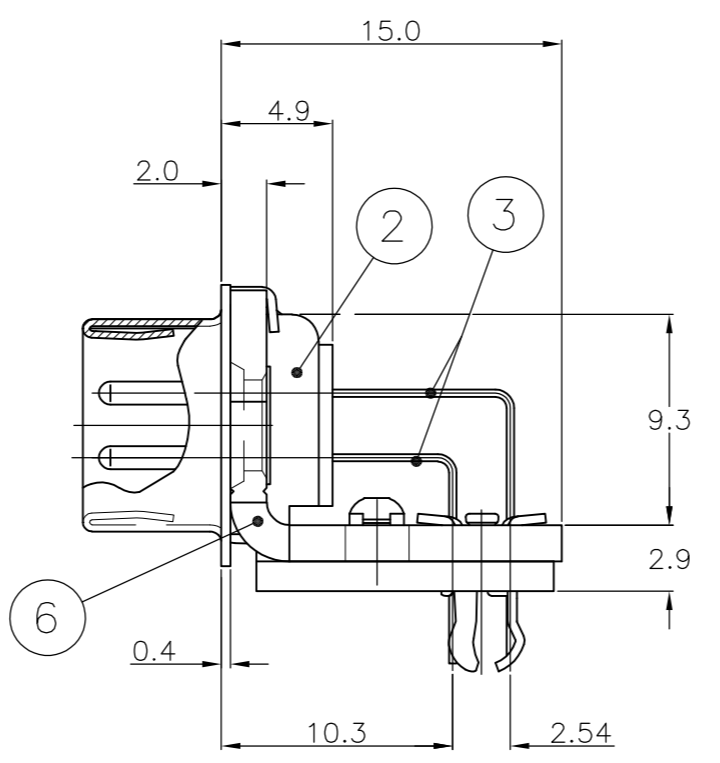
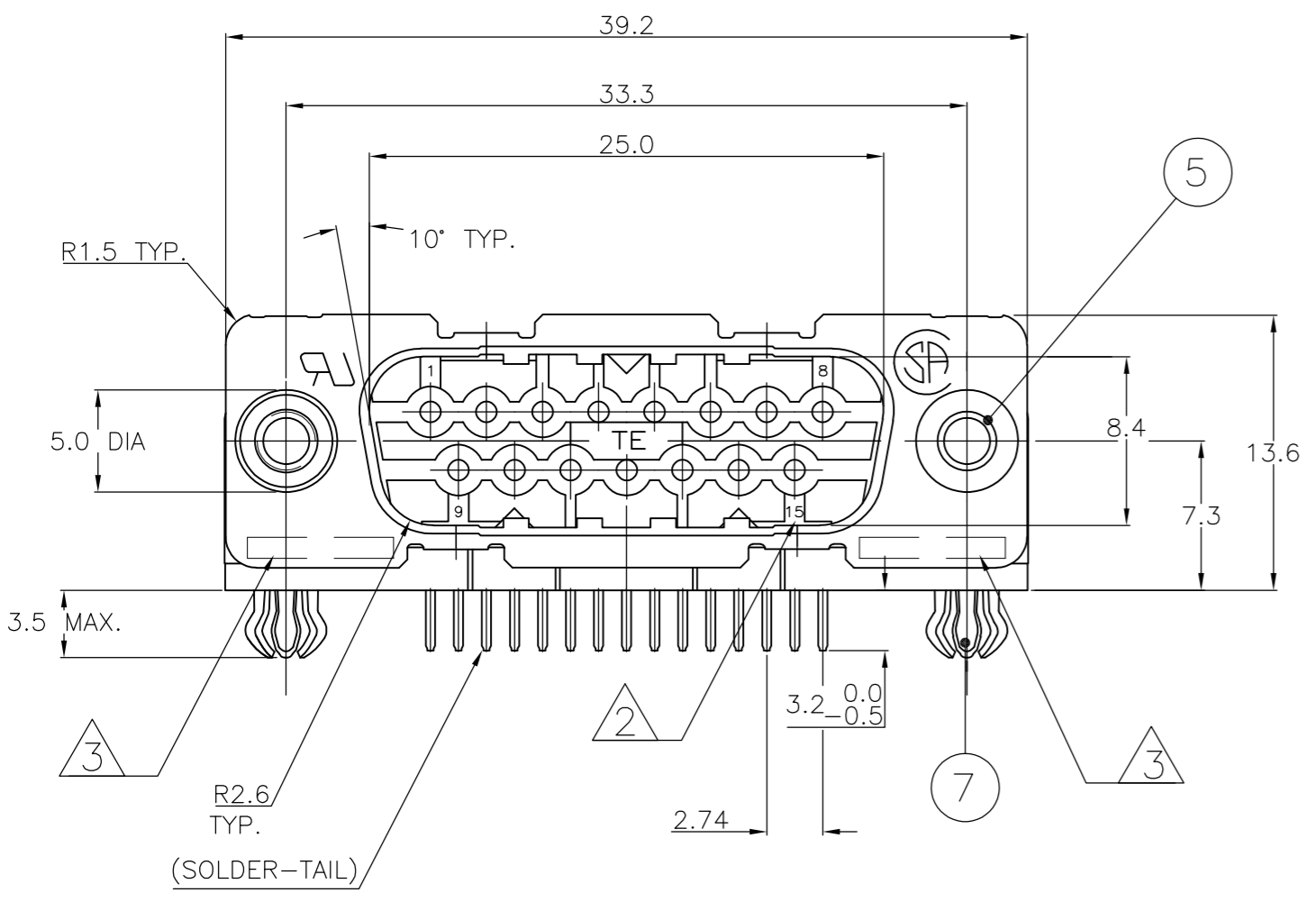


LOC	DIST	REVISIONS					
GP	00	P	LTR	DESCRIPTION	DATE	DWN	APVD
		L		REVISED PER ECO-15-004948	27APR2015	AP	SB

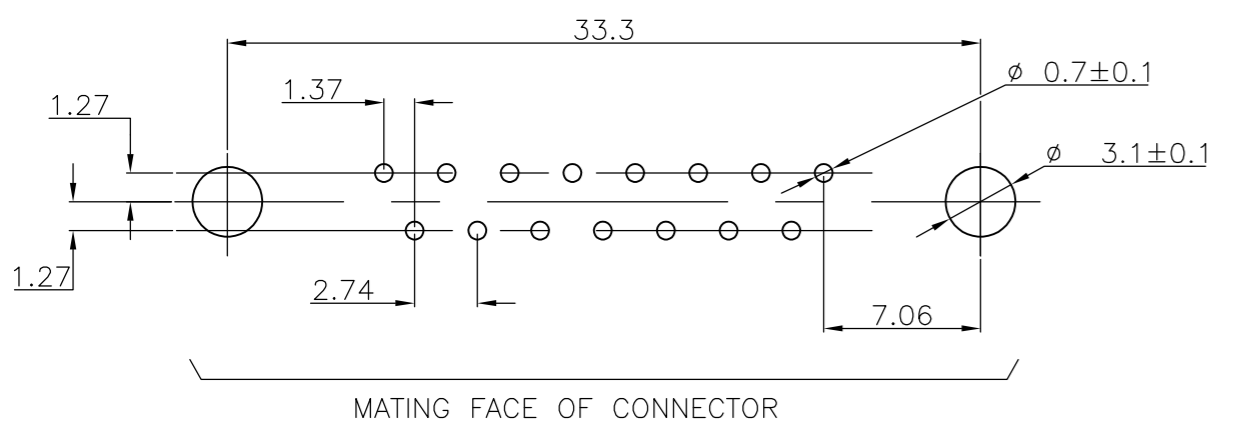


ITEM NO	DESCRIPTION OF ACCESSORY									
		1	2	3	4	5	6	7	8	9
5	ø3.1 INSERT	2								
5	INSERT WITH INNER THREAD 4-40 UNC		2							
5	INSERT WITH INNER THREAD M3			2						
4	FEMALE SCREWLOCK WITH 4-40 UNC				2					
4	FEMALE SCREWLOCK WITH M3					2				
7	BOARDLOCK	2	2	2	2	2				
338169-2										
1-338169-2										
2-338169-2										
3-338169-2										
4-338169-2										OBSOLETE
5-338169-2										OBSOLETE
6-338169-2										OBSOLETE
7-338169-2										OBSOLETE
8-338169-2										OBSOLETE
9-338169-2										OBSOLETE

- 1 GROOVE INDICATES VERSION WITH 4-40 UNC INNER THREAD; WITHOUT GROOVE INDICATES VERSION WITH M3 INNER THREAD.
- 2 CAVITY IDENTIFICATION AT FRONT SIDE ONLY.
- 3 PART NUMBER AND DATE CODE.
- 4 SHELL HAS 2x4 GROUNDING SPRINGS; PITCH IS 3.6.
- 5 AIR AND CREEPAGE DISTANCES ACCORDING TO DIN 41652.
- 6 GOLD FLASH OVER PALLADIUM-NICKEL PLATE OR GOLD PLATE ON THE MATING SURFACES, TIN PLATE ON THE SOLDER-TAILS, NICKEL UNDERPLATE ON THE ENTIRE CONTACT. MATING SURFACE FINISH MEETS PERFORMANCE LEVEL 2 PER DIN 41652.

- ITEM NO/MATERIAL :
- 1 SHELL : BRIGHT TIN PLATED STEEL
  - 2 HOUSING : GLASS FILLED POLYESTER, COLOR : BLACK
  - 3 CONTACTS : PHOSPHOR BRONZE (PLATING : SEE NOTES)
  - 4 FEMALE SCREWLOCK : TIN PLATED STEEL (INNER THREAD 4-40 UNC OR M3)
  - 5 INSERT : TIN PLATED STEEL (INNER THREAD 4-40 UNC OR M3 OR ø3.1 THRU-HOLE)
  - 6 BRACKET : TIN PLATED STEEL
  - 7 BOARDLOCK : TIN PLATED PHOSPHOR BRONZE
  - 8 SOLDER-TAIL ALIGNMENT PLATE : GLASS FILLED NYLON. COLOR : BLACK

RECOMMENDED P.C. BOARD HOLE-LAYOUT



THIS DRAWING IS A CONTROLLED DOCUMENT. DIMENSIONING AND TOLERANCING PER ASME Y14.5M-2009		DWN D. KESSLER 18JAN99		
DIMENSIONS: mm		CHK W. SOOMERS		
TOLERANCES UNLESS OTHERWISE SPECIFIED:		APVD	HD-20 SIZE 2 RIGHT ANGLE PLUG HEADER; MARK II+	
0 PLC ± -	1 PLC ± -	PRODUCT SPEC	SIZE A2	CAGE CODE 00779
2 PLC ± -	3 PLC ± -	APPLICATION SPEC	DRAWING NO C=338169	RESTRICTED TO
4 PLC ± -	ANGLES ± -	WEIGHT	SCALE NTS	SHEET 1 OF 1
MATERIAL	FINISH	CUSTOMER DRAWING	REV L	

单击下面可查看定价，库存，交付和生命周期等信息

[>>TE Connectivity\(泰科\)](#)

[>>点击查看相关商品](#)