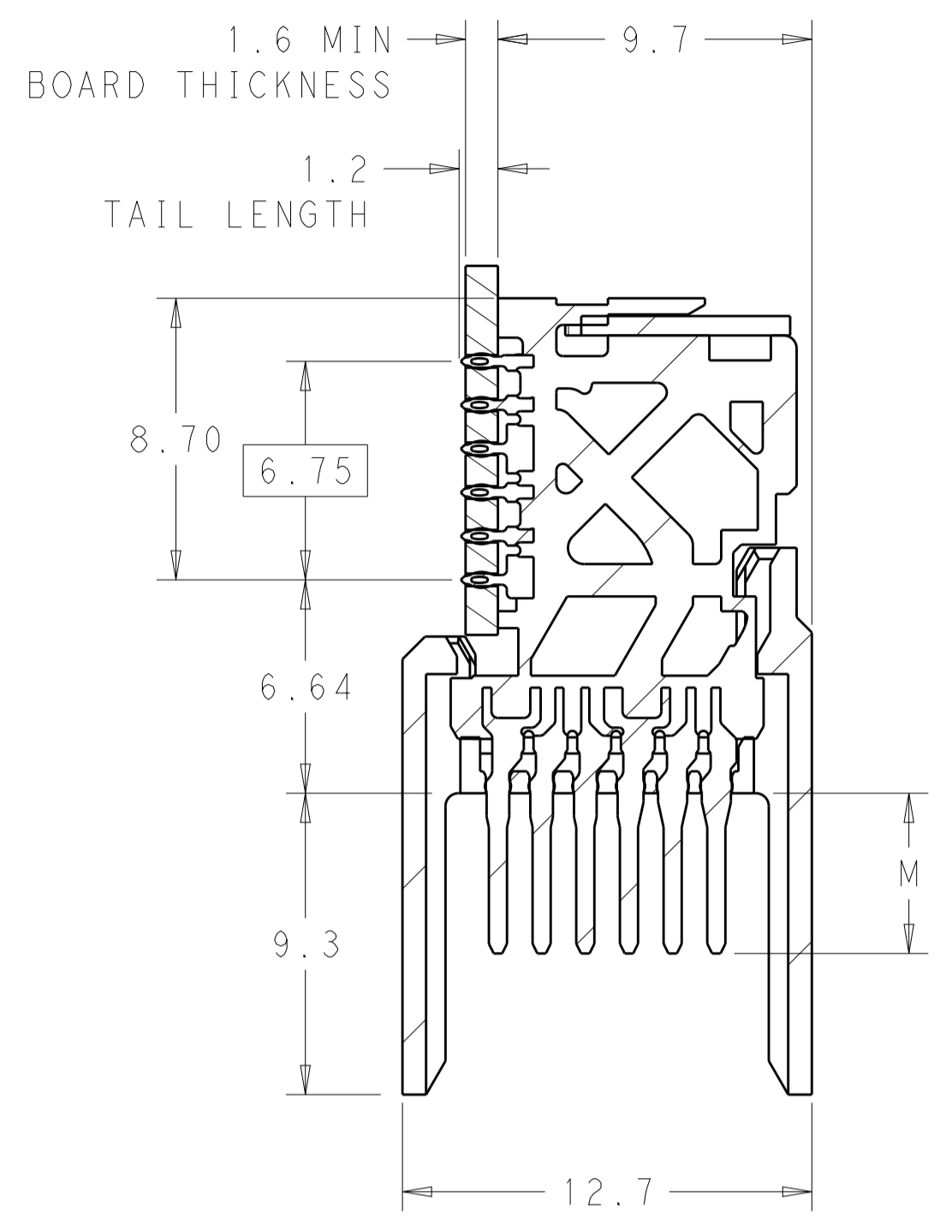
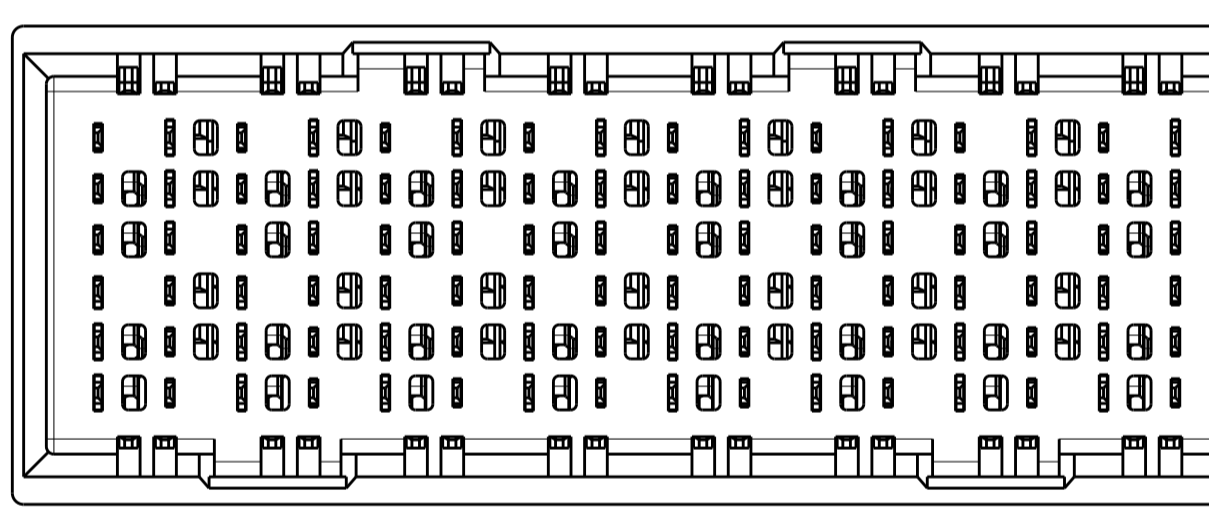
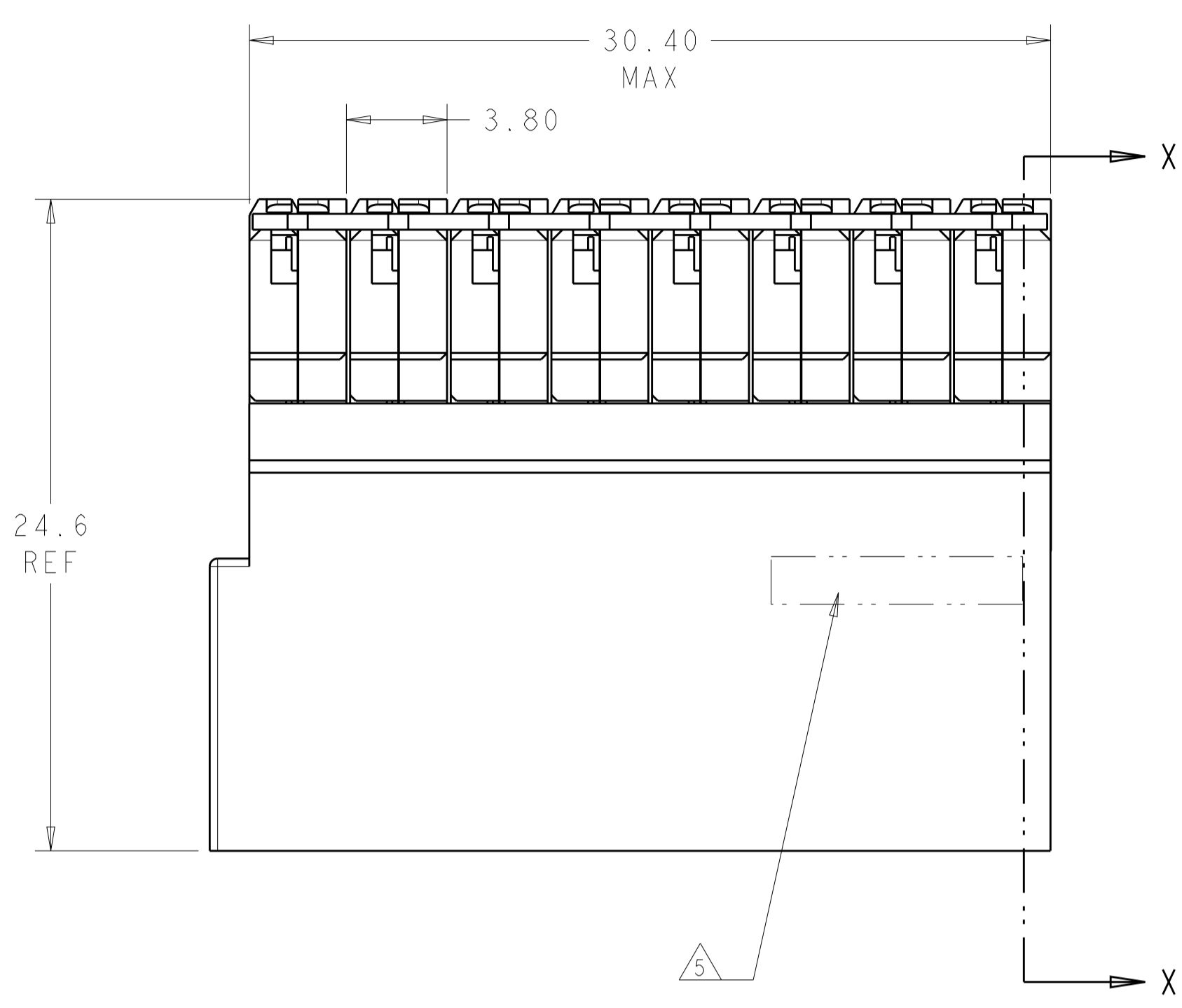


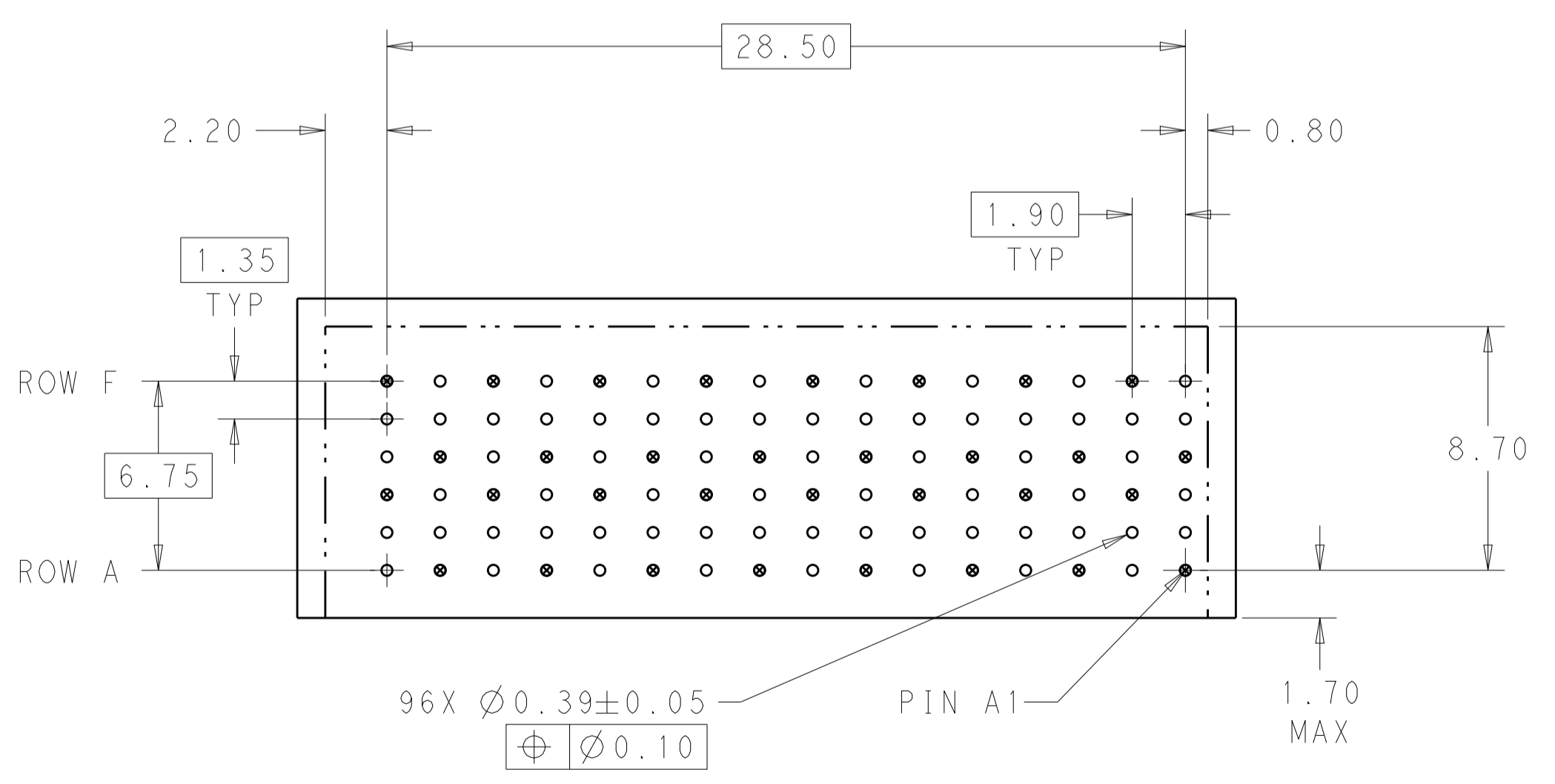
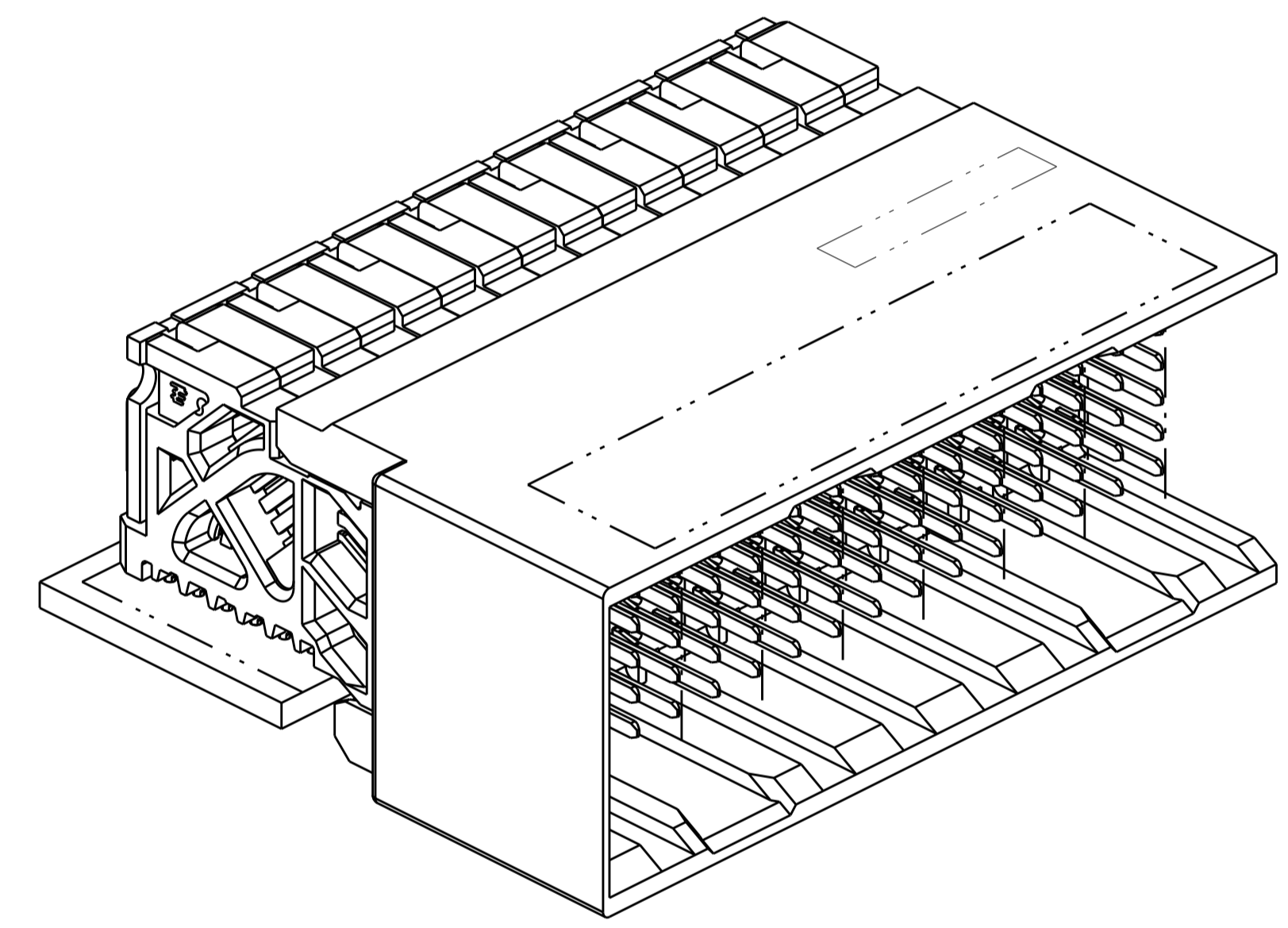
| LOC | | DIST | | REVISIONS | | | |
|-----|----|------|-----|---------------------------|-----------|-----|------|
| AD | 00 | P | LTN | DESCRIPTION | DATE | DWN | APVD |
| | | C | | REVISED PER ECO-14-005775 | 21APR2014 | AP | DD |



SECTION X-X



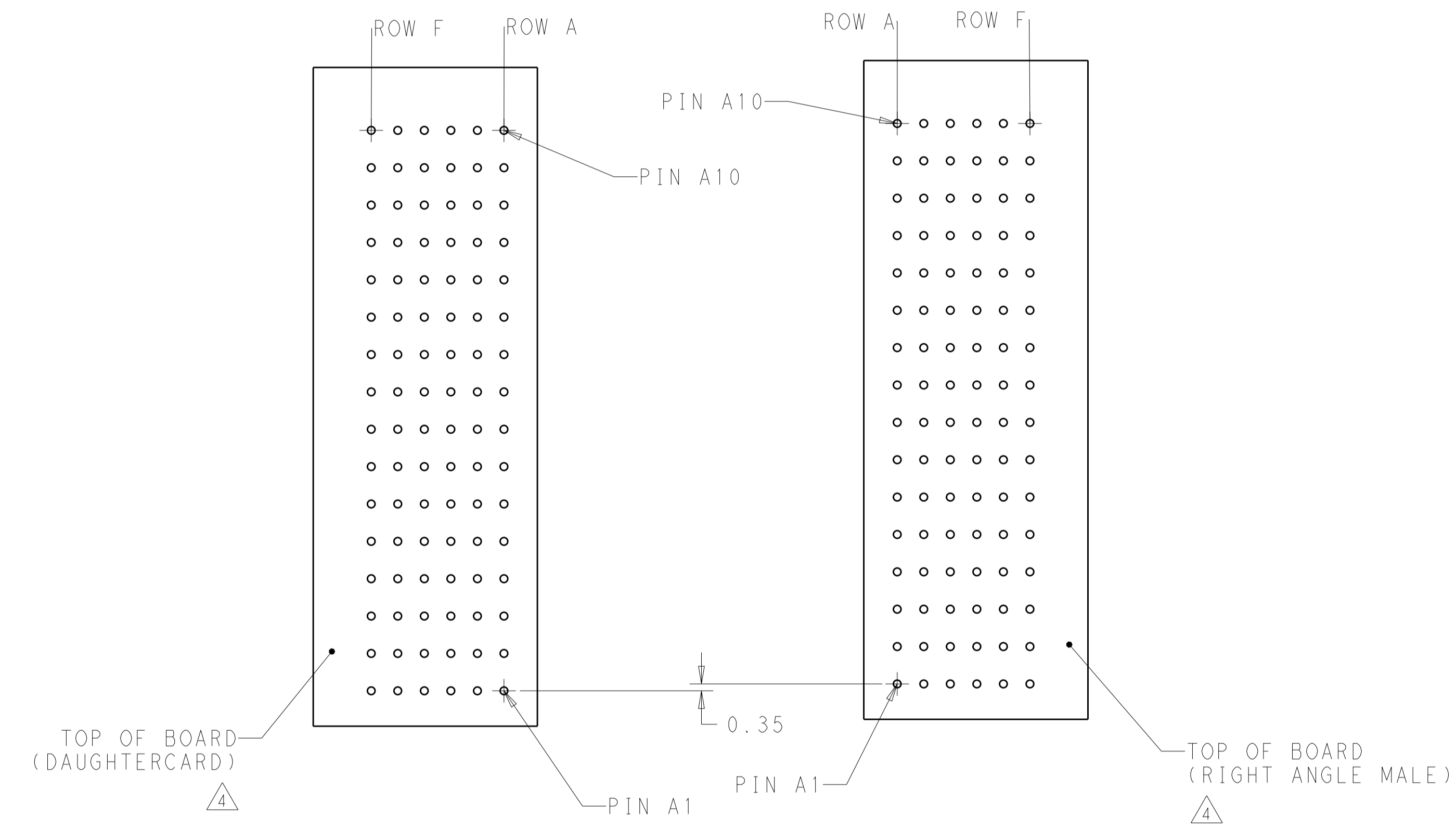
- 1 MATERIAL:
HOUSING: LCP, GLASS FILLED, UL94V-0.
TERMINALS: HIGH PERFORMANCE COPPER ALLOY.
- 2 FINISH:
30µm SELECTIVE GOLD IN CONTACT AREA. SELECTIVE TIN ON PCB TAILS, NICKEL OVERALL.
- 3 FINISH:
30µm SELECTIVE GOLD IN CONTACT AREA. SELECTIVE TIN-LEAD ON PCB TAILS, NICKEL OVERALL.
- 4 UNGUIDED RIGHT ANGLE MALE MATES TO UNGUIDED RIGHT ANGLE RECEPTACLE.
- 5 TE LOGO LOCATED IN APPROXIMATE LOCATION.



RECOMMENDED PCB LAYOUT

| | | | | |
|----------------------------------------|----------------------------------------|------------------|-----------|------------------------------------------------------------------------------------------------|
| THIS DRAWING IS A CONTROLLED DOCUMENT. | | DWN | 07APR2011 | STE TE Connectivity |
| DIMENSIONS: | | CHK | 07APR2011 | |
| mm | TOLERANCES UNLESS OTHERWISE SPECIFIED: | APVD | 07APR2011 | NAME IMPACT, STD. RAM. 2 PAIR, 16 COLUMN, UNGUIDED LEFT END WALL SIGNAL MODULE, 0.39 EYELET |
| 0 PLC ± | 1 PLC ±0.25 | PRODUCT SPEC | | |
| 2 PLC ±0.13 | 3 PLC ± | APPLICATION SPEC | | SIZE CAGE CODE DRAWING NO |
| 4 PLC ± | ANGLES ± | FINISH SEE TABLE | | A100779C=2143310 |
| MATERIAL | | WEIGHT | | RESTRICTED TO |
| | | CUSTOMER DRAWING | | SCALE 5:1 SHEET 1 OF 2 REV C |

| LOC | | DIST | | REVISIONS | | | |
|-----|-----|-------------|------|-----------|------|---|---|
| P | LTN | DESCRIPTION | DATE | DWN | APVD | | |
| - | - | SEE SHEET 1 | - | - | - | - | - |
| | | | | | | | |
| | | | | | | | |



COPLANAR MATED SIGNAL PATHS



| | | |
|--------|-------|-------------|
| | 5.50 | 2143310-6 |
| | 4.90 | 2143310-5 |
| | 5.50 | 2143310-3 |
| | 4.90 | 2143310-2 |
| FINISH | DIM M | PART NUMBER |

REFER TO WWW.TE.COM FOR PRODUCT AVAILABILITY

| | | | | | | | | | | | | | | | | | | | |
|--------------------------------------------------------------------------------------------------------------------------------------------------------------------------------------------------------------------------------------------------------------------|-------|------------------|----------------------------------------------------------------------------------------|----------------------------|-------|------------------|------------------------|-------|---|-------|---|--------|---|--------------|--|------|-----------|------------|---------------|
| THIS DRAWING IS A CONTROLLED DOCUMENT. | | DWN | 07APR2011 | STE TE Connectivity | | | | | | | | | | | | | | | |
| DIMENSIONS: | | CHK | J. EABY 07APR2011 | | | | | | | | | | | | | | | | |
| TOLERANCES UNLESS OTHERWISE SPECIFIED: | | APVD | J. EABY 07APR2011 | | | | | | | | | | | | | | | | |
| mm | | NAME | IMPACT, STD. RAM. 2 PAIR, 16 COLUMN, UNGUIDED LEFT END WALL SIGNAL MODULE, 0.39 EYELET | | | | | | | | | | | | | | | | |
| <table border="1"> <tr> <td>0 PLC</td> <td>±</td> </tr> <tr> <td>1 PLC</td> <td>±0.25</td> </tr> <tr> <td>2 PLC</td> <td>±0.13</td> </tr> <tr> <td>3 PLC</td> <td>±</td> </tr> <tr> <td>4 PLC</td> <td>±</td> </tr> <tr> <td>ANGLES</td> <td>±</td> </tr> </table> | | 0 PLC | ± | 1 PLC | ±0.25 | 2 PLC | ±0.13 | 3 PLC | ± | 4 PLC | ± | ANGLES | ± | PRODUCT SPEC | | SIZE | CAGE CODE | DRAWING NO | RESTRICTED TO |
| 0 PLC | ± | | | | | | | | | | | | | | | | | | |
| 1 PLC | ±0.25 | | | | | | | | | | | | | | | | | | |
| 2 PLC | ±0.13 | | | | | | | | | | | | | | | | | | |
| 3 PLC | ± | | | | | | | | | | | | | | | | | | |
| 4 PLC | ± | | | | | | | | | | | | | | | | | | |
| ANGLES | ± | | | | | | | | | | | | | | | | | | |
| MATERIAL | | APPLICATION SPEC | | WEIGHT | | A100779C=2143310 | | | | | | | | | | | | | |
| FINISH | | SEE TABLE | | CUSTOMER DRAWING | | SCALE | 5:1 SHEET 2 OF 2 REV C | | | | | | | | | | | | |

单击下面可查看定价，库存，交付和生命周期等信息

[>>TE Connectivity\(泰科\)](#)