

4

3

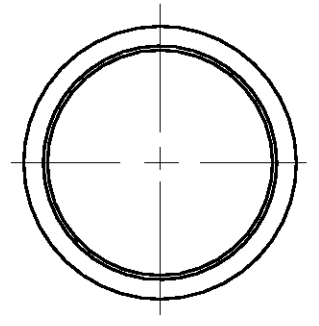
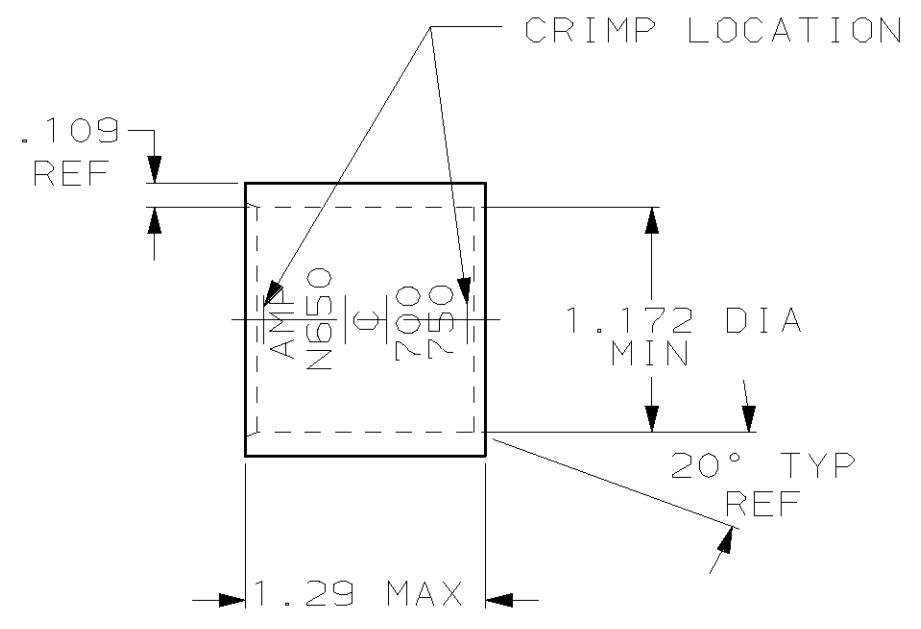
2

1

THIS DRAWING IS UNPUBLISHED. RELEASED FOR PUBLICATION, 19 .  
 © COPYRIGHT 19 BY AMP INCORPORATED. ALL RIGHTS RESERVED.

LOC		DIST		REVISIONS			
P	LTR	DESCRIPTION	DATE	DWN	APVD		
G	86	F	REV PER 0G3A-0637-01	030CT02	JR	MS	

- ① TIN PLATE 0.00381 [0.000150] MIN THK PER ASTM B 545
- ② CLEANED, UNPLATED
- ③ PREPRODUCTION - FASR REQ



②-	③1-324453-0
①-	324453
FINISH	AMP PART NUMBER

THIS DRAWING IS A CONTROLLED DOCUMENT FOR AMP INCORPORATED. IT IS SUBJECT TO CHANGE AND THE CONTROLLING ENGINEERING ORGANIZATION SHOULD BE CONTACTED FOR THE LATEST REVISION.		DWN DK SCHRUM 01JUL96	<b>AMP</b> AMP Incorporated Harrisburg, PA 17105-3608
DIMENSIONS: mm [INCHES]		CHK WJ VOCKROTH 02JUL96	
TOLERANCES UNLESS OTHERWISE SPECIFIED:		APVD JL MECKLEY 02JUL96	NAME WIRE SPLICE, PARALLEL, AMPPOWER™
0 PLC ±-		PRODUCT SPEC -	WIRE SIZE: 700 MCM
1 PLC ±-		APPLICATION SPEC -	SIZE A3
2 PLC ±-		WEIGHT .181 lbs	CAGE CODE 00779
3 PLC ±-		CUSTOMER DRAWING	DRAWING NO C-324453
4 PLC ±-			SCALE 2:1
ANGLES ±-			SHEET 1 OF 1
MATERIAL COPPER PER ASTM B-75 ANNEALED	FINISH SEE TABLE		REV F

单击下面可查看定价，库存，交付和生命周期等信息

[>>TE Connectivity\(泰科\)](#)