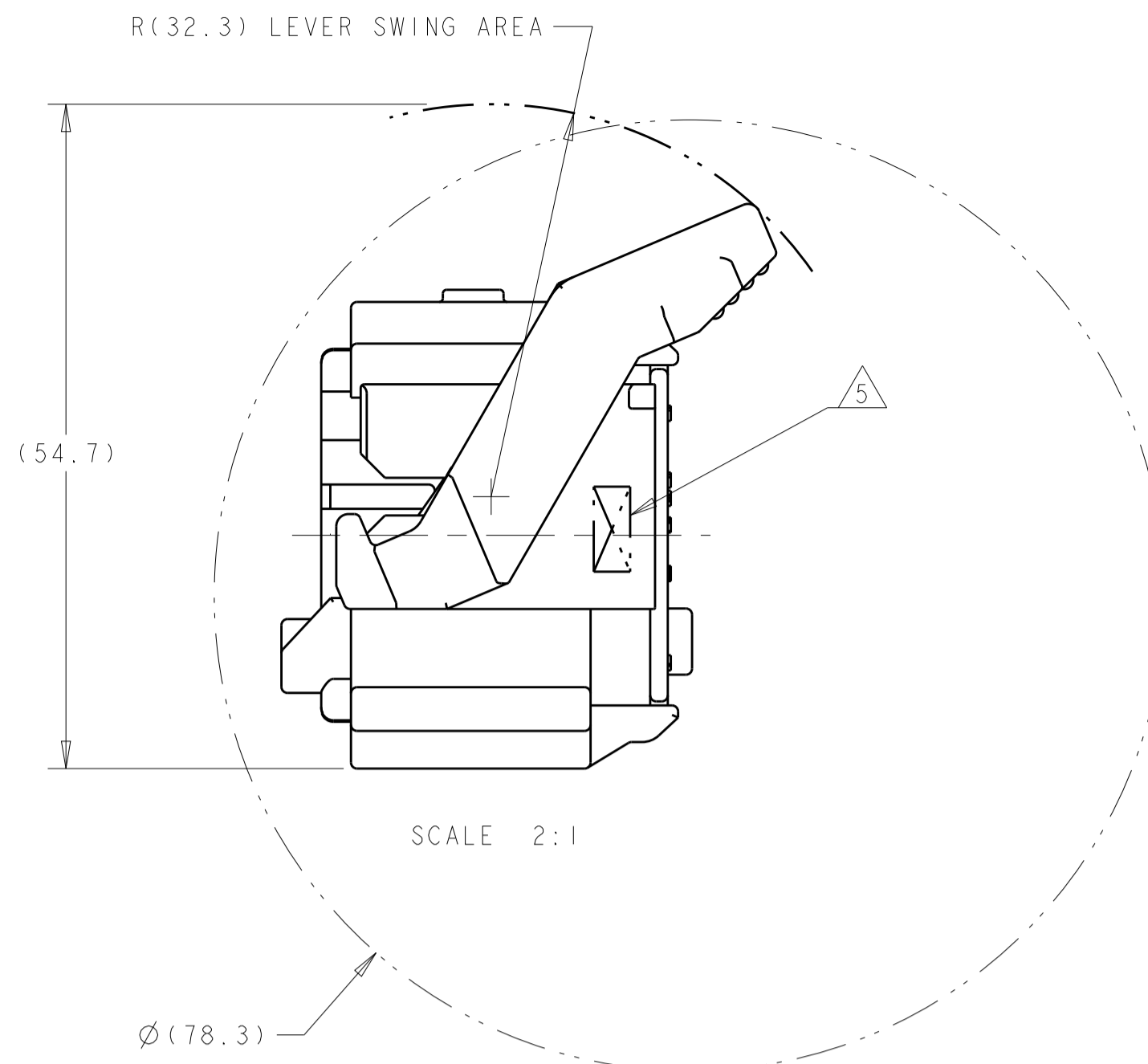
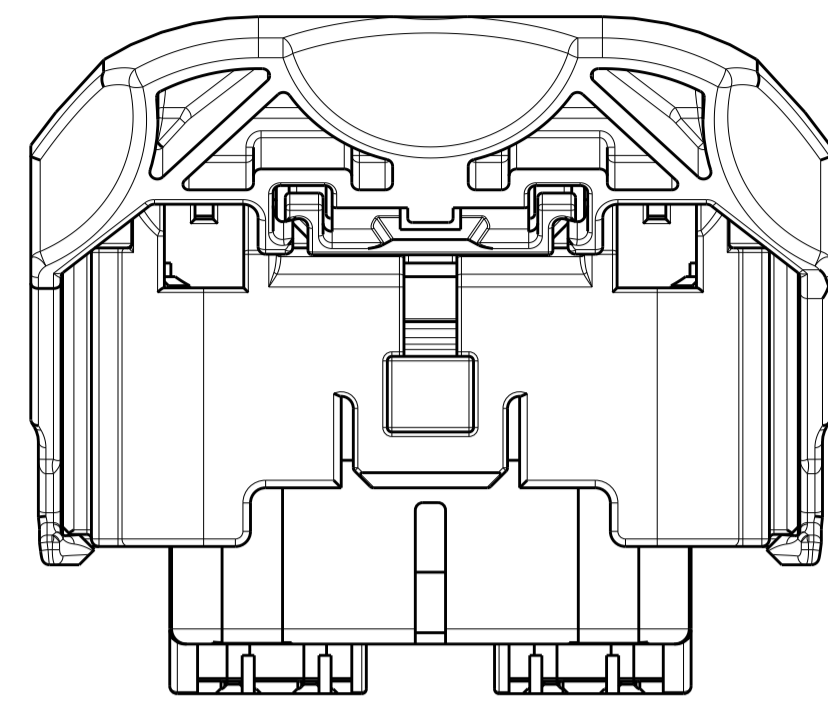
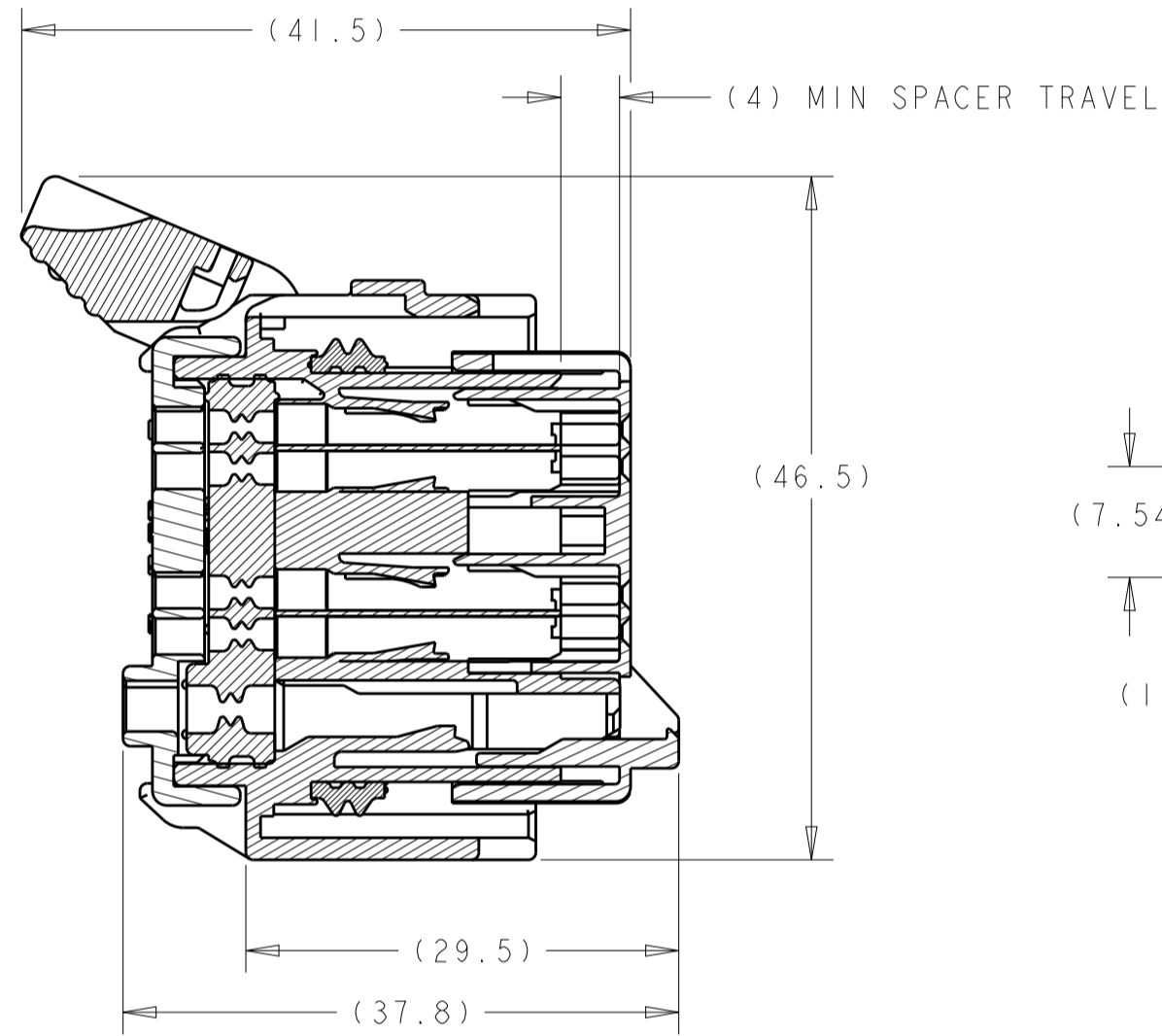


1438129-1
SHOWN WITH SPACER
IN SEATED POSITION

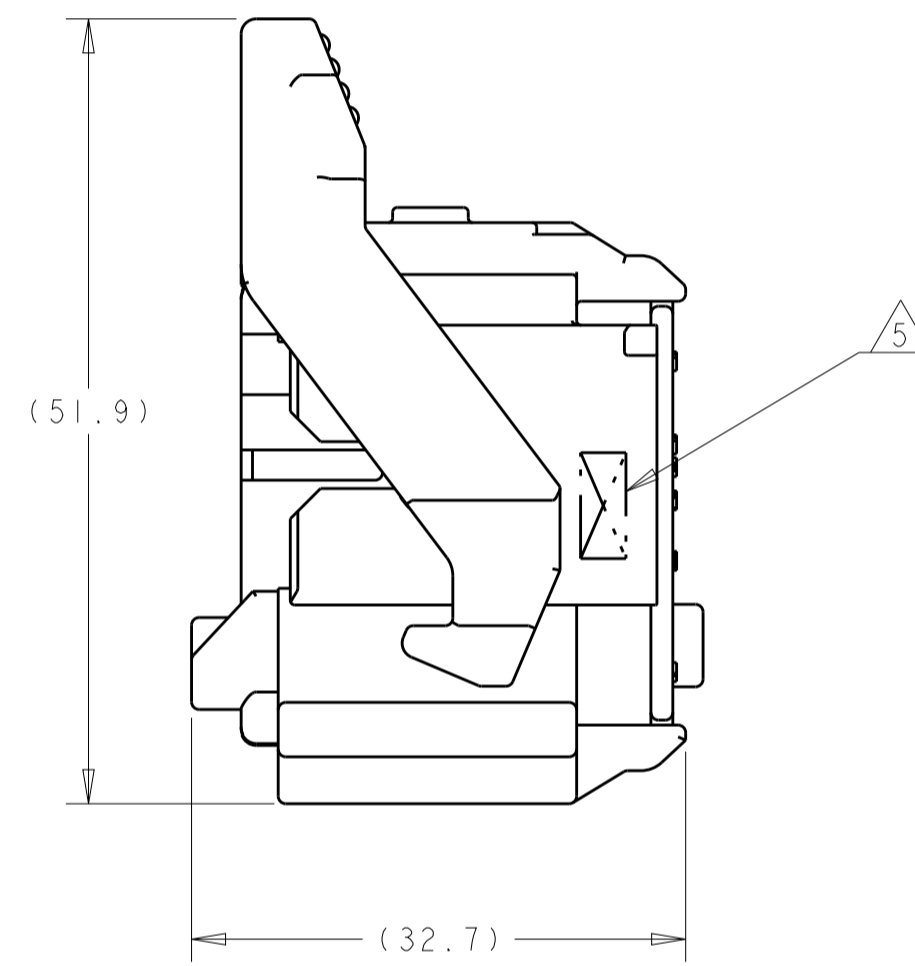
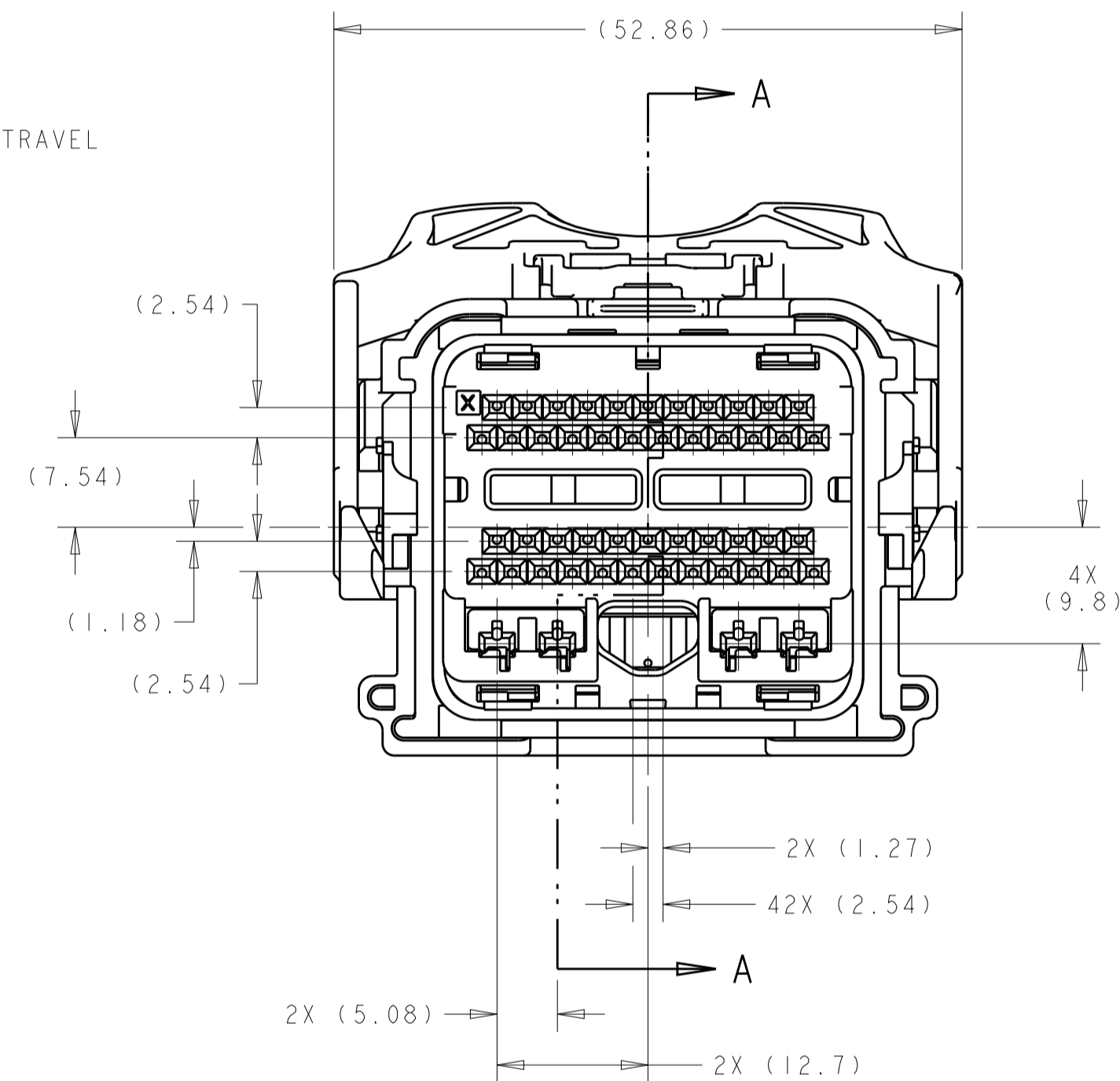


SCALE 2:1

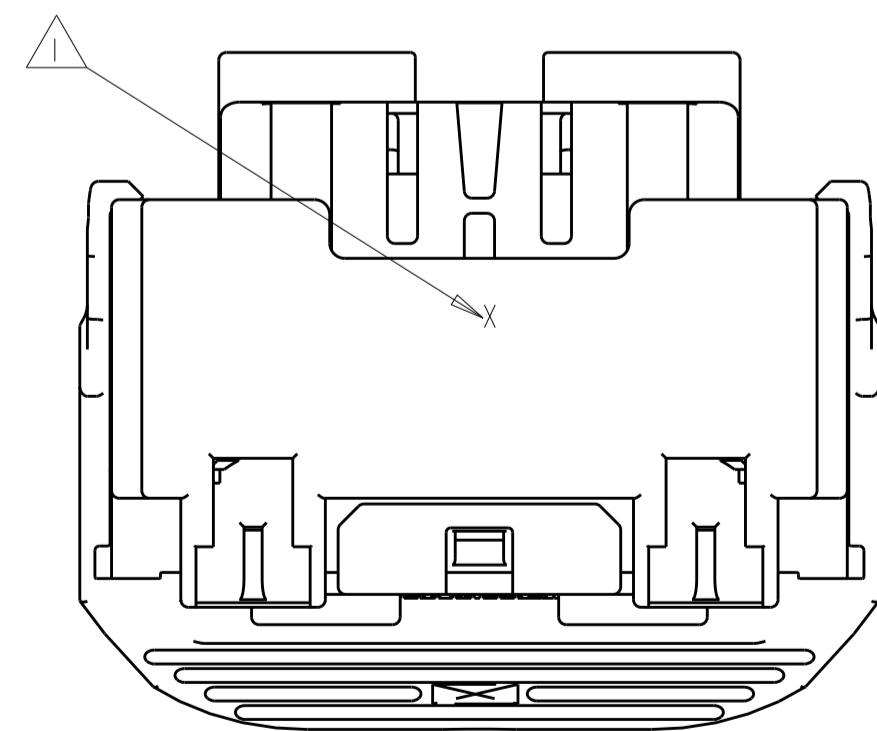
MIN. FEED THRU
CONDITION WITH 1mm
CLEARANCE ALL AROUND
SHOWN WITH SPACER IN SEATED POSITION



SECTION A-A
SPACER AND LEVER IN
PRE-SEATED POSITION
(DELIVERY CONDITION)

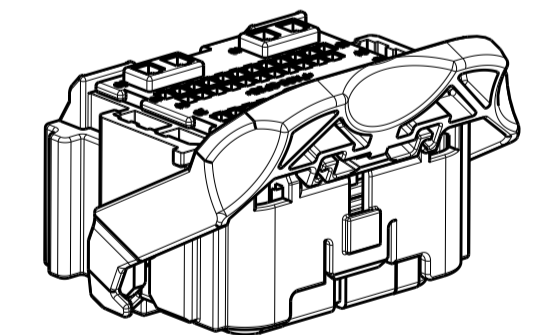


SHOWN WITH CAM
LEVER AND SPACER
IN LOADED POSITION



REVISIONS					
P.	LTN.	DESCRIPTION	DATE	DWN.	APVD.
F38		REVISED PER ECO-19-001669	19FEB2019	JMS	CM
F39		REVISED PER ECO-19-019471	08JAN2020	JMS	CM
F40		REVISED PER ECO-20-005499	21MAY2020	JMS	CM
F41		REVISED PER ECO-20-012739	05OCT2020	AP	CM

- 1. PRINT PART NUMBER (5S4T-14A464-L*-***, 5S4T-14A464-M*-***, 5S4T-14A464-N*-***) AND TRACEABILITY (YY : 2 DIGIT YEAR, JJJ = JULIAN DATE, HH = 2 DIGIT MILITARY HOUR CODE IN THE LOCATION AT ASSEMBLY. SEE SHEET 3 THRU 7 (-*) PART NUMBERS.
- 2. APPLICABLE MOLEX (1.5) POWER TERMINAL PART NUMBERS:
33012-0002 TIN 0.50-1.50mm²
- 3. CAM LEVER AND SPACER ARE SHIPPED IN THEIR PRE-ASSEMBLED POSITIONS.
- 4. REFERENCE TE CONNECTIVITY INSTRUCTION SHEET 408-8893.
- 5. COMPANY LOGO.
- 6. OBSOLETE PART.



SCALE 1:1

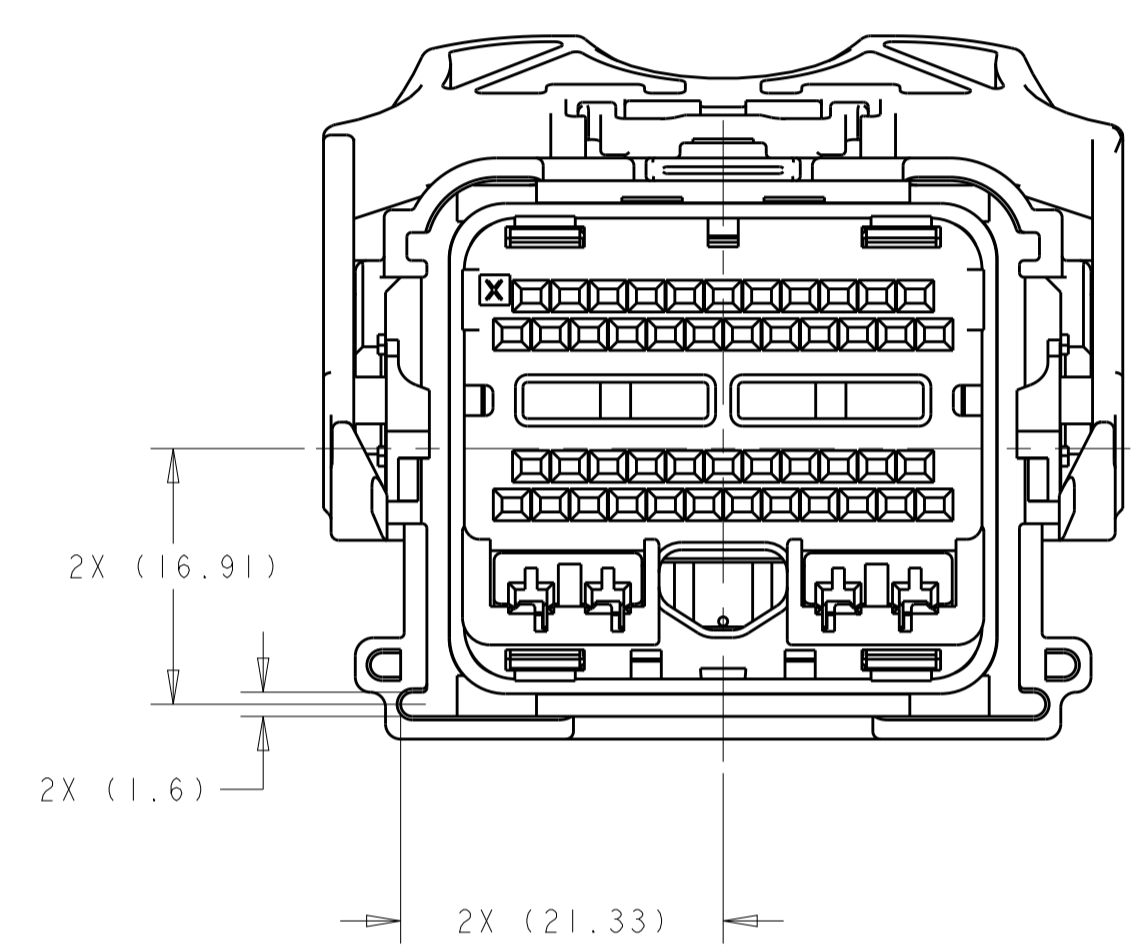
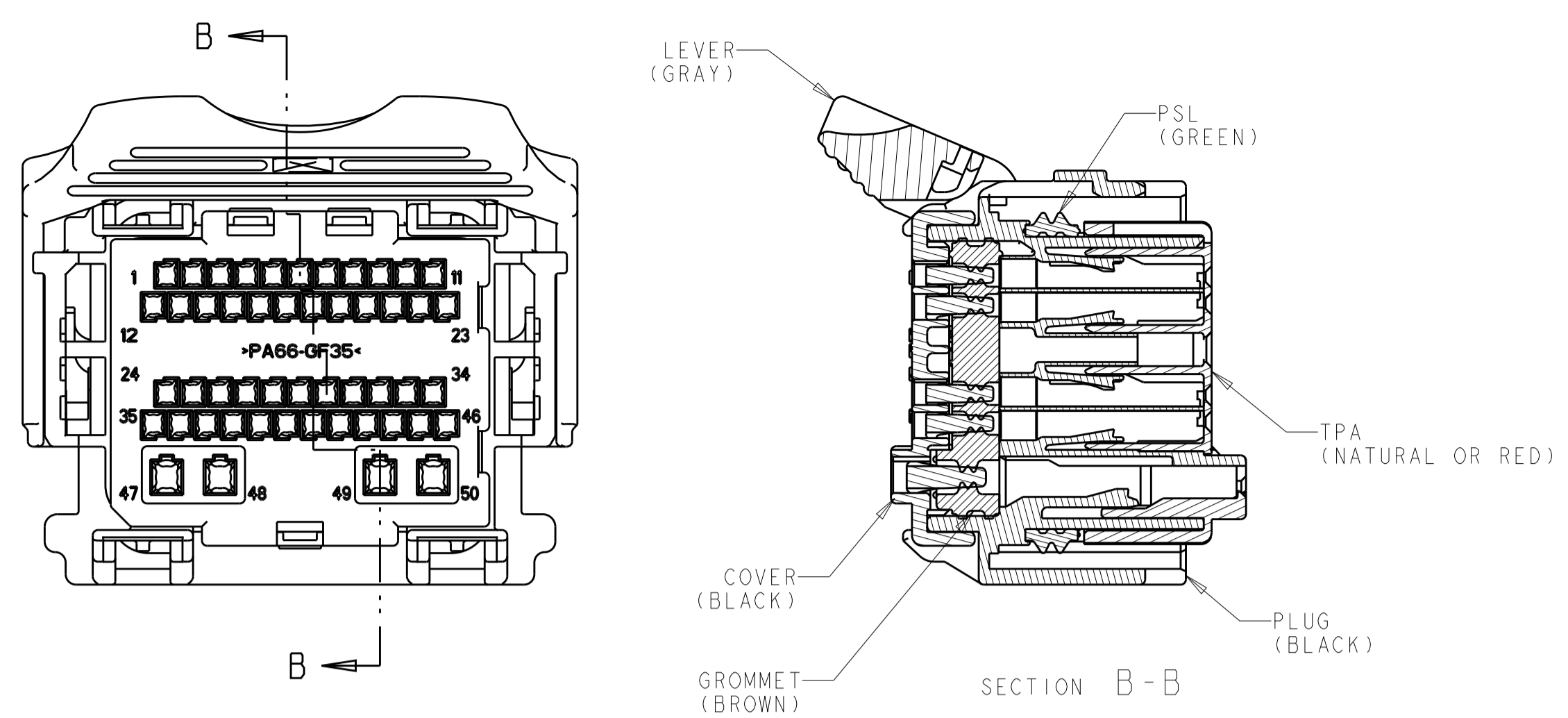
APPLICABLE COMPONENTS (FOR REFERENCE ONLY)						
DESCRIPTION	NOMINAL TERMINAL SIZE	COLOR/PLATING	FORD COMPONENT PART NUMBER	SUPPLIER PART NUMBER	MATERIAL/SPECIFICATION NUMBER	SAE WIRE SIZE
TERMINAL - FEMALE (Ag)	0.64 (CAT. 0)	SILVER	7S4T-14474-AA	1393366-2	COPPER ALLOY/SILVER PLATE	20AWG
						18AWG
TERMINAL - FEMALE (Ag)	0.64 (CAT. 0)	SILVER	7S4T-14474-BA	1393367-2	COPPER ALLOY/SILVER PLATE	22AWG
TERMINAL - FEMALE (Sn)	0.64 (CAT. 0)	TIN	1L2T-14474-AA	1393366-1	COPPER ALLOY/TIN PLATE	20AWG
						18AWG
TERMINAL - FEMALE (Sn)	0.64 (CAT. 0)	TIN	1L2T-14474-BA	1393367-1	COPPER ALLOY/TIN PLATE	22AWG
TERMINAL - FEMALE (Au)	0.64 (CAT. 0)	GOLD	1L2T-14474-CA	1393365-1	COPPER ALLOY/GOLD PLATE	20AWG
						18AWG
TERMINAL - FEMALE (Au)	0.64 (CAT. 0)	GOLD	1L2T-14474-DA	1393364-1	COPPER ALLOY/GOLD PLATE	22AWG

ANY DESIGN CHANGES ON THIS ASSEMBLY MAY ALSO BE REQUIRED ON ASSEMBLY DRAWING 1438691

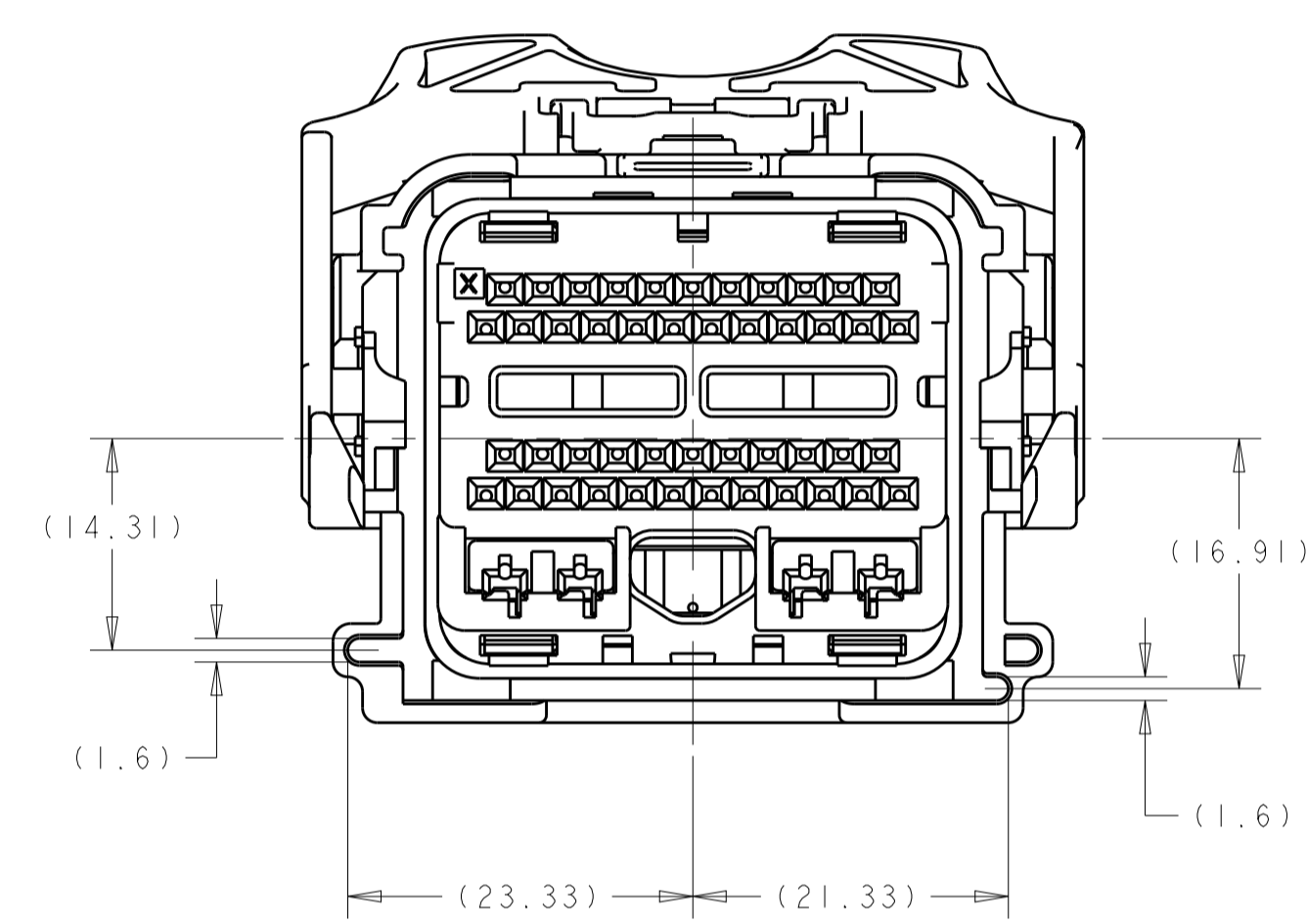
SEE TABLES
SHEETS 3 THRU 7
PART NUMBER

THIS DRAWING IS A CONTROLLED DOCUMENT.		OWN: R. VESTAL 15APR2005	
DIMENSIONS: mm		CHK: T. VALASEK 15APR2005	
TOLERANCES UNLESS OTHERWISE SPECIFIED:		APVD: T. VALASEK 15APR2005	NAME: 50-WAY HARNESS ASSEMBLY, PCM SIZE: CAGE CODE DRAWING NO: A100779C=1438129 WEIGHT: - CUSTOMER DRAWING
0 PLC ± 1 PLC ±0.3 2 PLC ±0.10 3 PLC ± 4 PLC ± ANGLES ±1°		PRODUCT SPEC: - APPLICATION SPEC: - SCALE: 1:1 SHEET 1 OF 10 REV: F41	

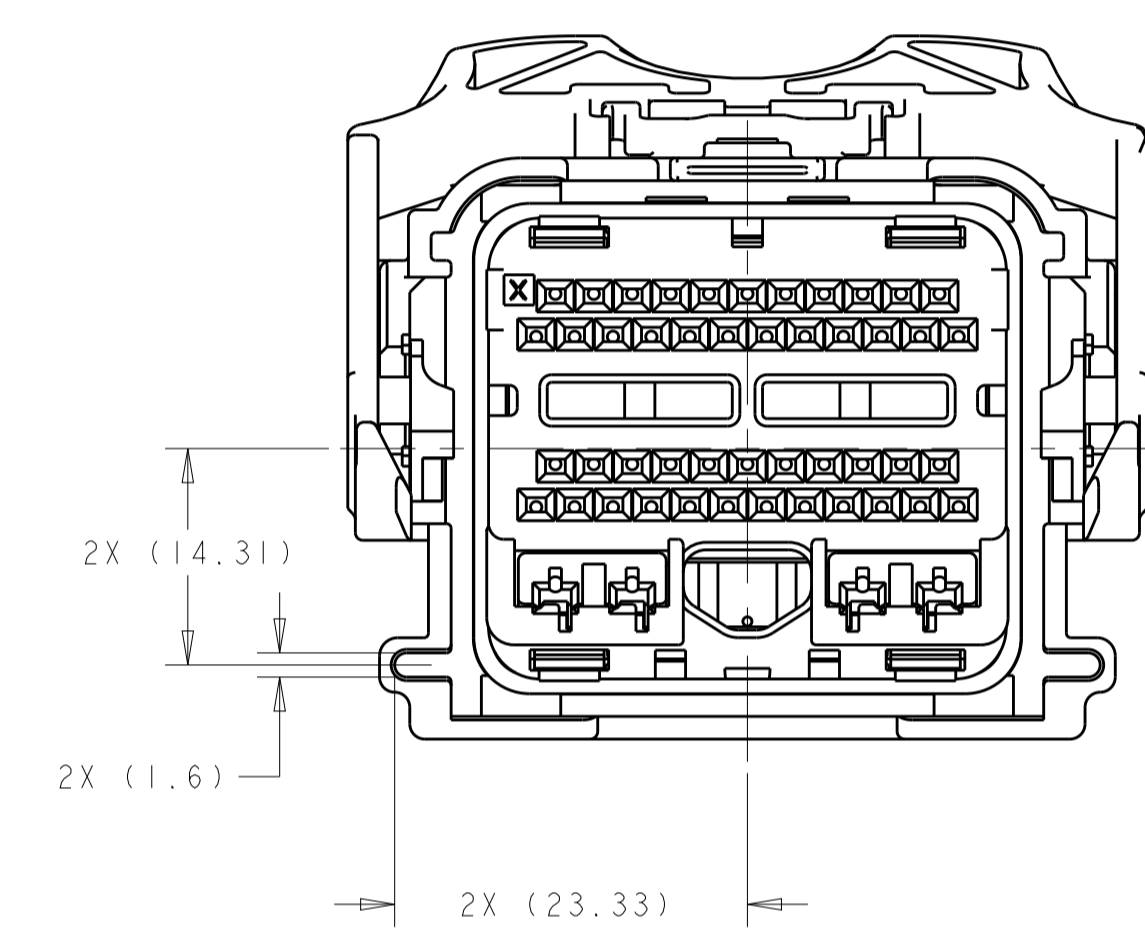
REVISIONS				
P.	LTN	DESCRIPTION	DATE	APPV
-	-	SEE SHEET 1	-	-



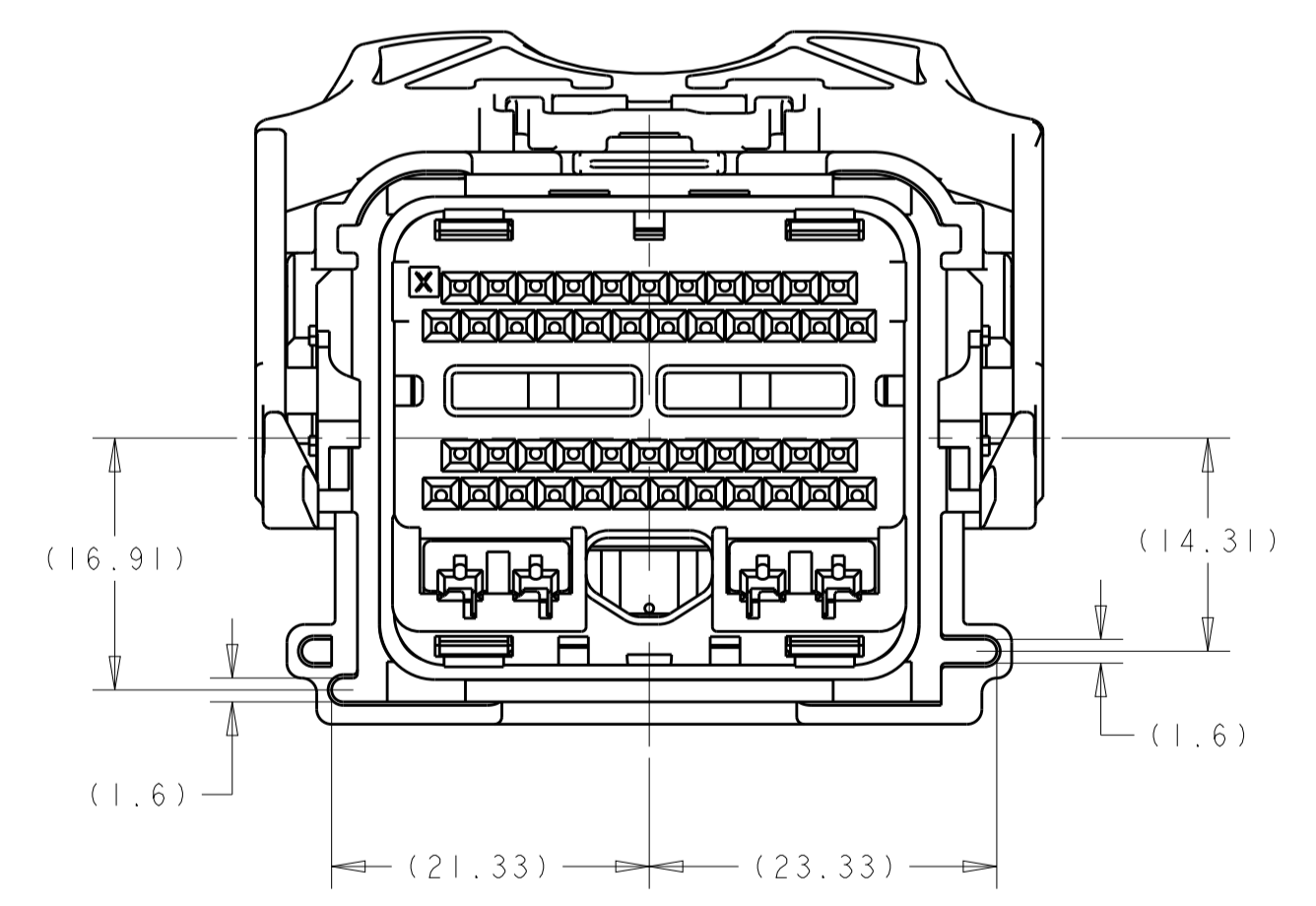
1438129-1
KEYING OPTION "A"



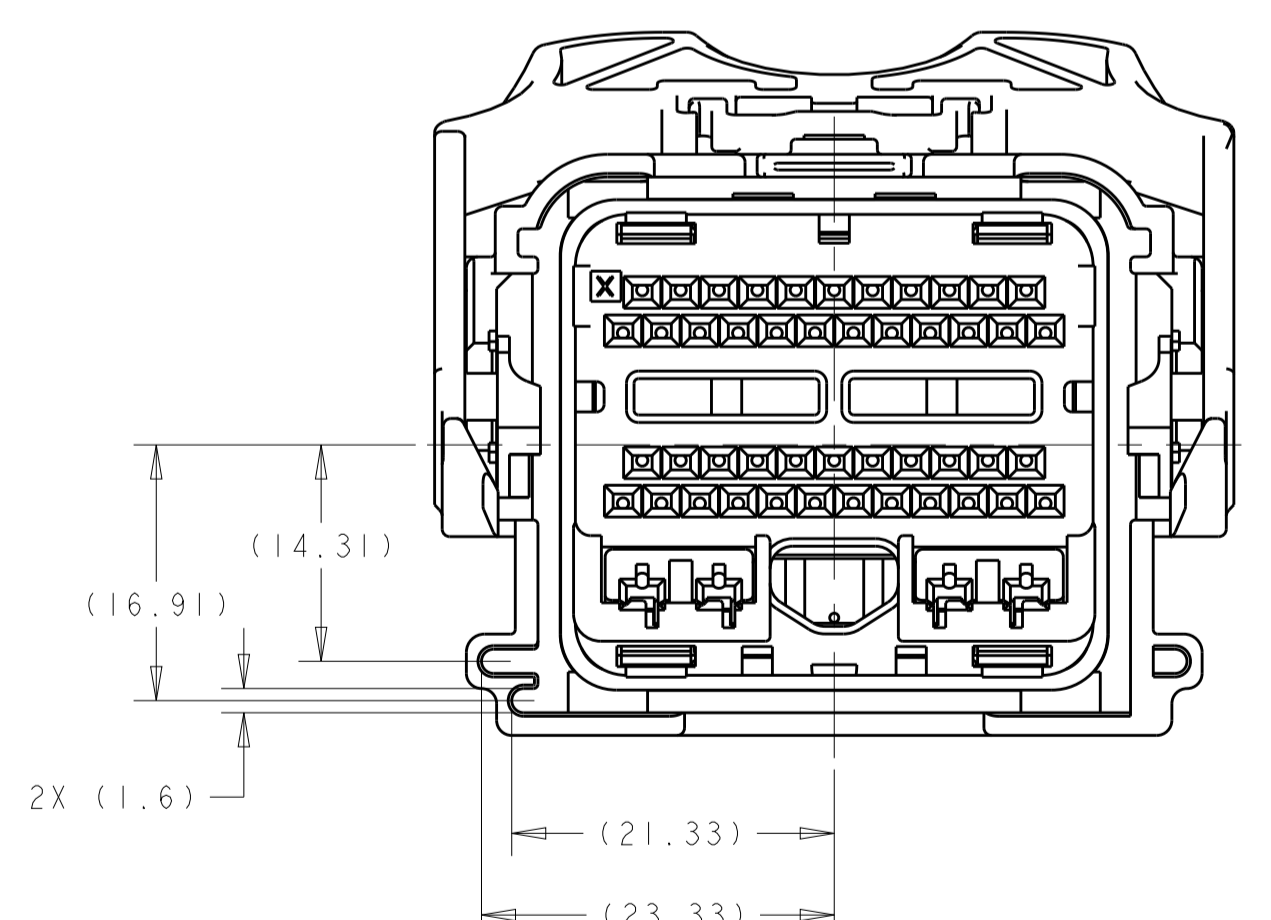
1438129-2
KEYING OPTION "B"



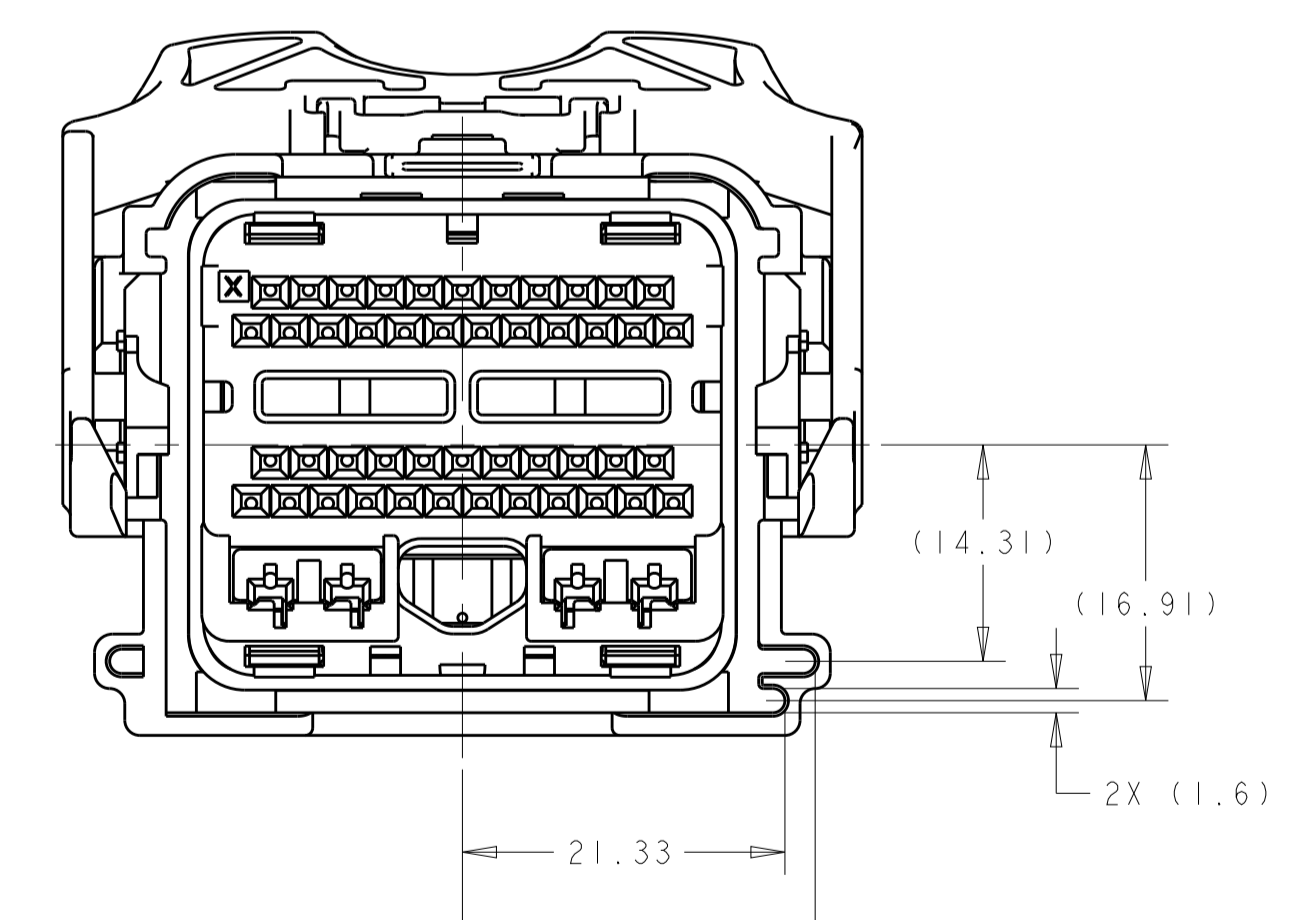
1438129-3
KEYING OPTION "C"



1438129-4
KEYING OPTION "D"



1438129-5
KEYING OPTION "E"



1438129-6
KEYING OPTION "F"

THIS DRAWING IS A CONTROLLED DOCUMENT.		OWN: R. VESTAL 15APR2005	
DIMENSIONS: mm		CHK: T. VALASEK 15APR2005	
TOLERANCES UNLESS OTHERWISE SPECIFIED:		APPV: T. VALASEK 15APR2005	NAME: 50-WAY HARNESS ASSEMBLY, PCM SIZE: CAGE CODE DRAWING NO. RESTRICTED TO A 100779 C=1438129
0 PLC ± 1 PLC ±0.3 2 PLC ±0.10 3 PLC ± 4 PLC ± ANGLES ± FINISH ±		PRODUCT SPEC	
MATERIAL: -		APPLICATION SPEC	SCALE: 2:1 SHEET 2 OF 10 REV: F.41
WEIGHT: -		CUSTOMER DRAWING	

REVISIONS				
P.	LTN	DESCRIPTION	DATE	APVD
-	-	SEE SHEET 1	-	-

KEYING OPTION B	46	43	42	41	40	38	37	34	33	32	31	30	29	28	27	26	25	24	20	19	17	16	15	14	13	9	8	7	6	5	4	1	6-1924783-8	5S4T-14A464-MA-094									
	46	43	41	40	39	38	37	34	33	32	31	30	29	28	27	26	25	24	22	20	19	17	16	15	14	9	8	7	5	4	2	1	6-1924783-3	5S4T-14A464-MA-093									
									33	32					27												9				3	1	4-1924783-3	5S4T-14A464-MA-092									
			42	40	39				34	33	32		29		26						20			15	13			9	7			3	2-1924783-4	5S4T-14A464-MA-091									
	46	43	42		39				34	33	32		29		26	25		22					15	14			9	7				1	2-1924783-2	5S4T-14A464-MA-090									
			42		39				34	33	31				27	25		22	20														1-1924783-9	5S4T-14A464-MA-089									
			42		39				34	33	31					25		22	20														1-1924783-8	5S4T-14A464-MA-088									
	46	43	42		39				34	33	32		29		26	25		22					15	14			9	7				1	1-1924783-4	5S4T-14A464-MA-087									
		43			39				34	33	32		29											15	14								1-1924783-3	5S4T-14A464-MA-086									
		43	41	40	39	38	37		34	33	31		29								20			15	14	13						3	1-1924783-2	5S4T-14A464-MA-085									
		43	42								31		29		27	25		22	20	18		16	15									1	1-1924783-8	5S4T-14A464-MA-084									
		43	42								31		29		27	25		22	20	18		16	15									1	1-1924783-7	5S4T-14A464-MA-083									
		43	42								31		29		27	25		22			18		16	15								1	1-1924783-3	5S4T-14A464-MA-082									
		43	42								31		29		27	25		22			18		16	15								1	1-1924783-2	5S4T-14A464-MA-081									
	46														28	27												9					1	9-1438950-9	5S4T-14A464-MA-080								
			42		39				34	33	32	31					26	25																9-1438950-6	5S4T-14A464-MA-079								
			42		39				34	33	32	31					27	26	25															9-1438950-5	5S4T-14A464-MA-078								
		43							34	33	32		29										15	14				9					9-1438950-4	5S4T-14A464-MA-077									
	46														28									13				9					1	9-1438950-3	5S4T-14A464-MA-076								
	46	43	42		39	38	37		33	31					27	25		22			18		16									2	8-1438950-9	5S4T-14A464-MA-075									
	46	43			39	38	37		33						27	25		22			18		16										8-1438950-8	5S4T-14A464-MA-074									
		45	44		40	39	38	37	36	35	34	33	32	31	30	28	27	26	25	24	23	21	20	19	18	17	16					10	9	8	7	6	5	4	3	2	1	8-1438950-7	5S4T-14A464-MA-073
		43		39	38				33			30										20	19		15	14	13						7	7-1438950-6	5S4T-14A464-MA-072								
		43		39					33			30										20	19		15	13							7-1438950-5	5S4T-14A464-MA-071									
		43		39					34	33	32											20			15									7-1438950-4	5S4T-14A464-MA-070								
		42	41	40	39	38		34	33	32		29		26						20			15	14	13		9	7				3	6-1438950-9	5S4T-14A464-MA-069									
	43							38				29		27	25		22				18	16										1	6-1438950-5	5S4T-14A464-MA-068									
50	46		42					33	31	30	29	28	27		24	22				19	18	17	16	14							6	5	6-1438950-4	5S4T-14A464-MA-067									
	46		42					33	31	30	29	28			24	22				19	18	17	16	14								6	5	6-1438950-3	5S4T-14A464-MA-066								

KEYING OPTION B

CAVITIES WITH A NUMERIC SYMBOL INDICATES CLOSED TERMINAL LOCATIONS

BLANK CAVITIES INDICATES OPEN TERMINAL HOLE LOCATIONS

TERMINAL HOLE POSITION

5S4T-14A464-M* PIN-OUT CHART

ASSEMBLY PART NUMBER

PART NUMBER FOR PRINTING

THIS DRAWING IS A CONTROLLED DOCUMENT.

DWN: R. VESTAL 15APR2005
 CHK: T. VALASEK 15APR2005
 APVD: T. VALASEK 15APR2005

TE Connectivity

NAME: 50-WAY HARNESS ASSEMBLY, PCM

SIZE: CAGE CODE: DRAWING NO: RESTRICTED TO

SCALE: 1:1 SHEET 5 OF 10 REV: F41

CUSTOMER DRAWING

DIMENSIONS: mm

TOLERANCES UNLESS OTHERWISE SPECIFIED:

0 PLC ±0.3
 1 PLC ±0.10
 2 PLC ±0.10
 3 PLC ±0.10
 4 PLC ±0.10
 ANGLES ±1°

FINISH: -


MATERIAL: -

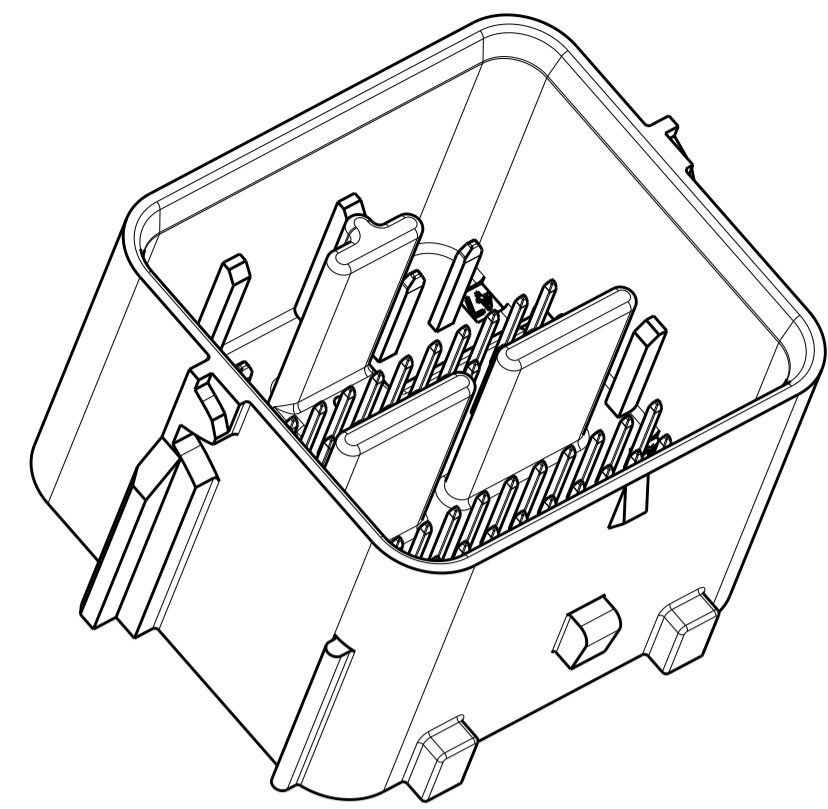
REVISIONS				
P.	LTN	DESCRIPTION	DATE	APVD
-		SEE SHEET 1	-	-

KEYING OPTION D																																																					
CAVITIES WITH A NUMERIC SYMBOL INDICATES CLOSED TERMINAL LOCATIONS																																																					
BLANK CAVITIES INDICATES OPEN TERMINAL HOLE LOCATIONS																																																					
TERMINAL HOLE POSITION	50	49	48	47	46	45	44	43	42	41	40	39	38	37	36	35	34	33	32	31	30	29	28	27	26	25	24	23	22	21	20	19	18	17	16	15	14	13	12	11	10	9	8	7	6	5	4	3	2	1	1438129-4	NUST-14A464-LA-000	
5S4T-14A464-P* PIN-OUT CHART																																																				ASSEMBLY PART NUMBER	PART NUMBER FOR PRINTING

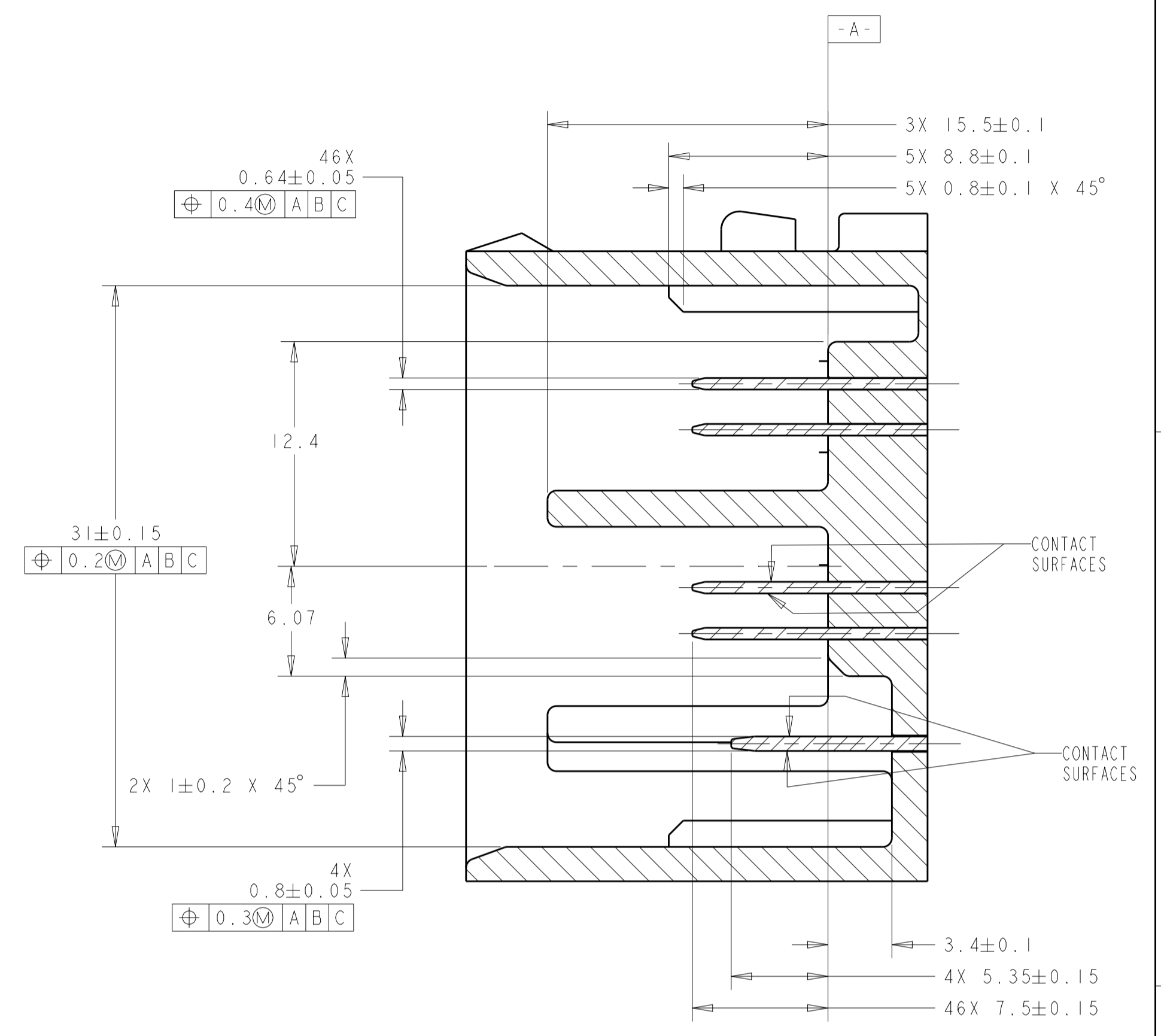
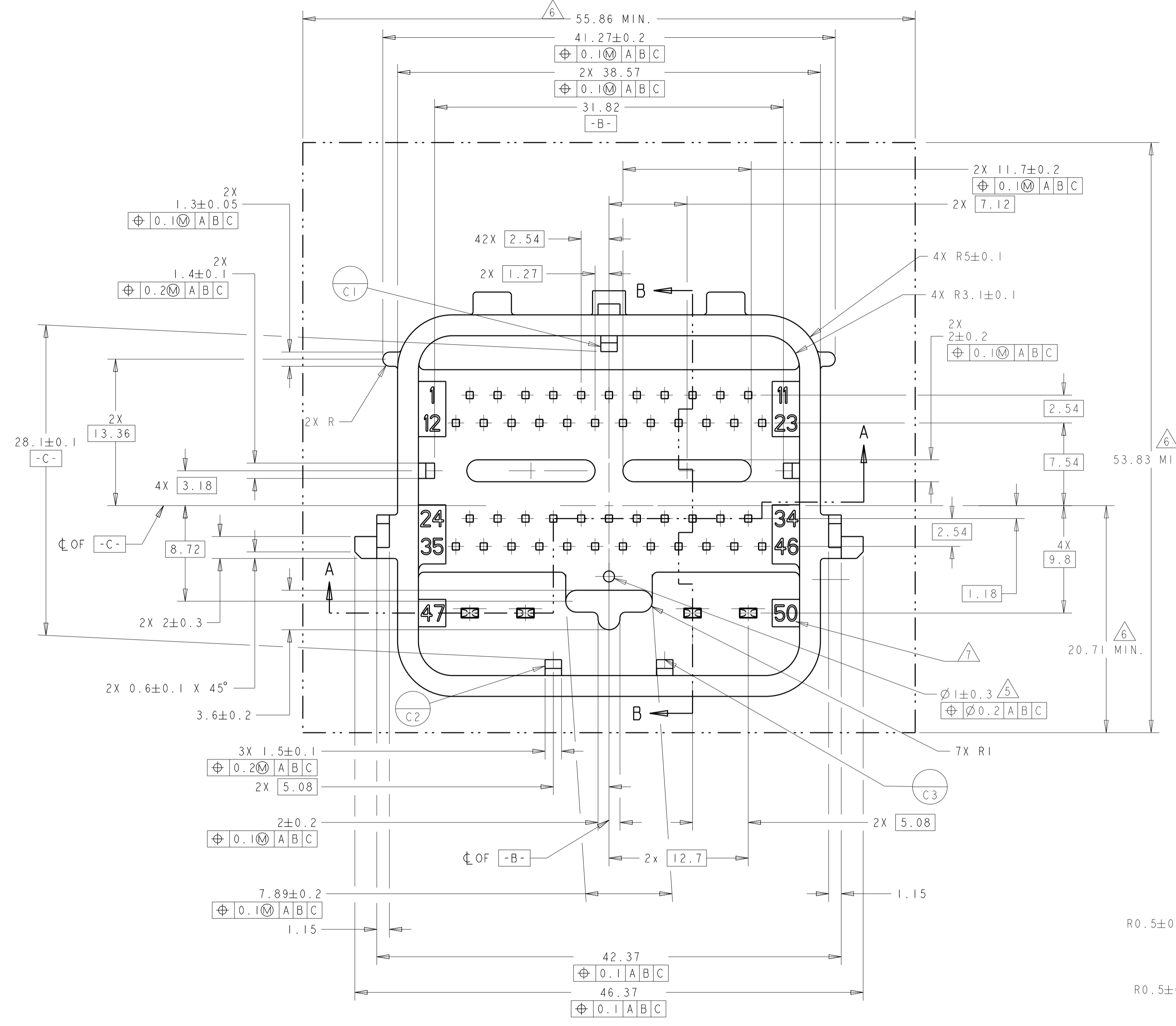
KEYING OPTION C																																																					
CAVITIES WITH A NUMERIC SYMBOL INDICATES CLOSED TERMINAL LOCATIONS																																																					
BLANK CAVITIES INDICATES OPEN TERMINAL HOLE LOCATIONS																																																					
TERMINAL HOLE POSITION	50	49	48	47	46	45	44	43	42	41	40	39	38	37	36	35	34	33	32	31	30	29	28	27	26	25	24	23	22	21	20	19	18	17	16	15	14	13	12	11	10	9	8	7	6	5	4	3	2	1	8-1924783-3	8-1924783-3	
5S4T-14A464-N* PIN-OUT CHART																																																				ASSEMBLY PART NUMBER	PART NUMBER FOR PRINTING

THIS DRAWING IS A CONTROLLED DOCUMENT.

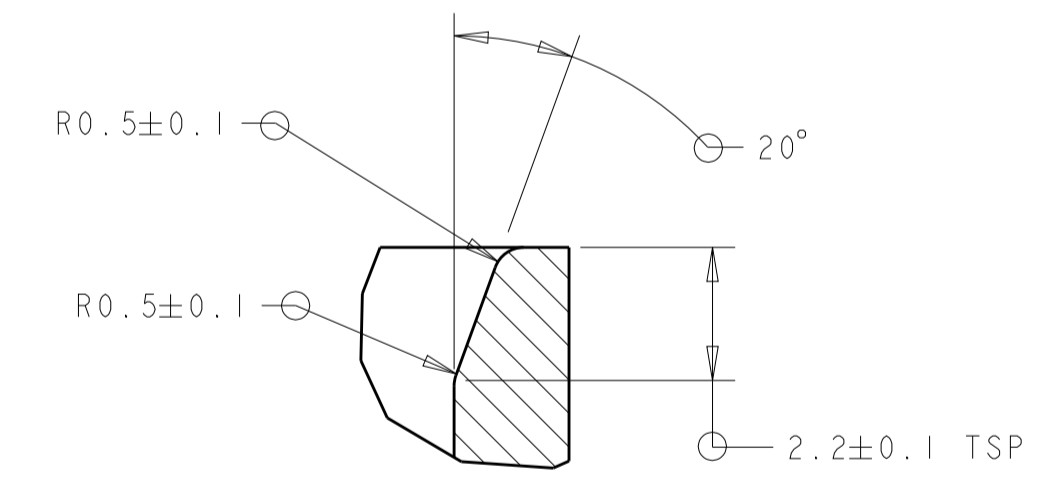
DIMENSIONS: mm	TOLERANCES UNLESS OTHERWISE SPECIFIED: 0 PLC ±.3 1 PLC ±0.10 2 PLC ±.10 3 PLC ±.10 4 PLC ±.10 ANGLES ±.1°	DWN R. VESTAL 15APR2005 CHK T. VALASEK 15APR2005 APVD T. VALASEK 15APR2005 PRODUCT SPEC APPLICATION SPEC WEIGHT CUSTOMER DRAWING	 TE Connectivity NAME 50-WAY HARNESS ASSEMBLY, PCM SIZE CAGE CODE DRAWING NO A 100779 C=1438129 SCALE 1:1 SHEET 8 OF 10 REV F 41
-------------------	---	--	---



SCALE 2:1



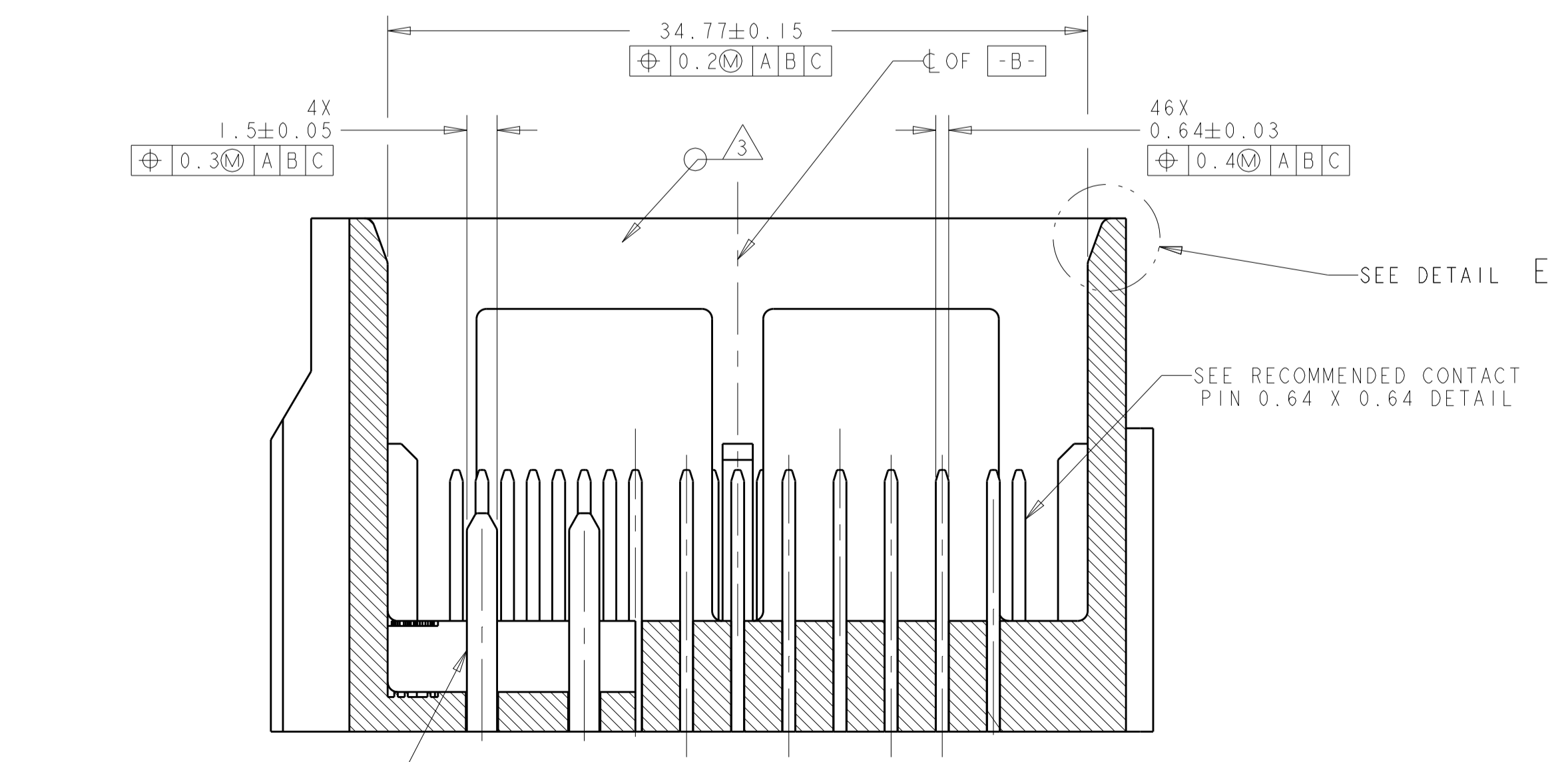
SECTION B-B



DETAIL E
SCALE 8:1

NOTES: UNLESS OTHERWISE SPECIFIED

1. GENERAL TOLERANCE:
 ±0.3 ALL ONE PLACE DIMENSIONS
 ±0.10 ALL TWO PLACE DIMENSIONS
 ±1°00' ALL ANGULAR DIMENSIONS
2. DRAFT ANGLE PERMISSIBLE ONLY WITHIN DRAWING TOLERANCE.
3. SEALING SURFACE, NO WITNESS LINES OR DAMAGE PERMITTED.
4. ALL UNMARKED RADII TO BE 0.5 MAX., UNLESS OTHERWISE SPECIFIED.
5. VENT HOLE SIZE AND LOCATION IS OPTIONAL.
6. THIS AREA TO REMAIN CLEAR FOR THE HARNESS ASSEMBLY.
7. TERMINAL POSITION IDENTIFICATION.
8. MATES WITH TYCO ELECTRONICS PART NUMBERS 1438129-# & 1438950-#



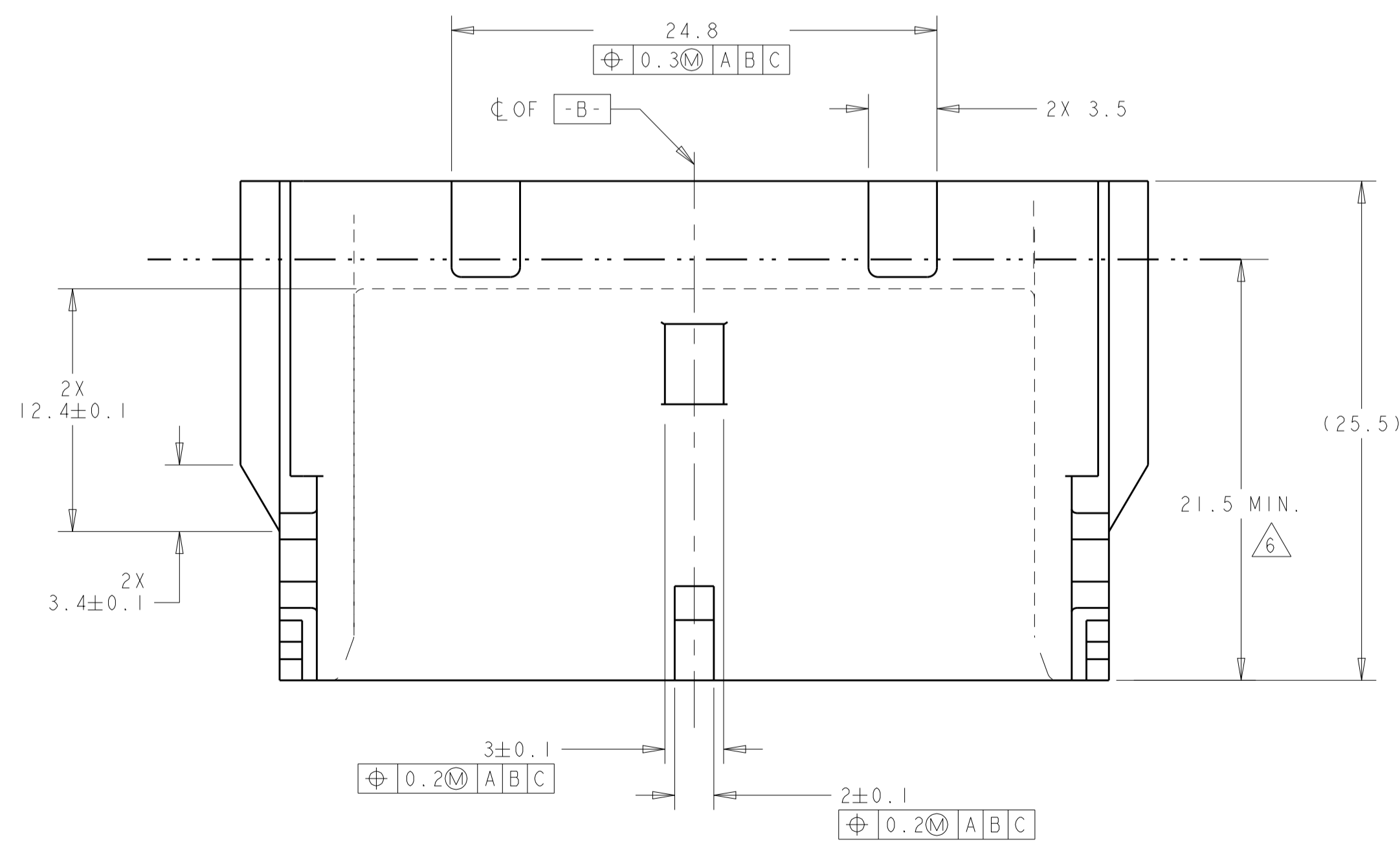
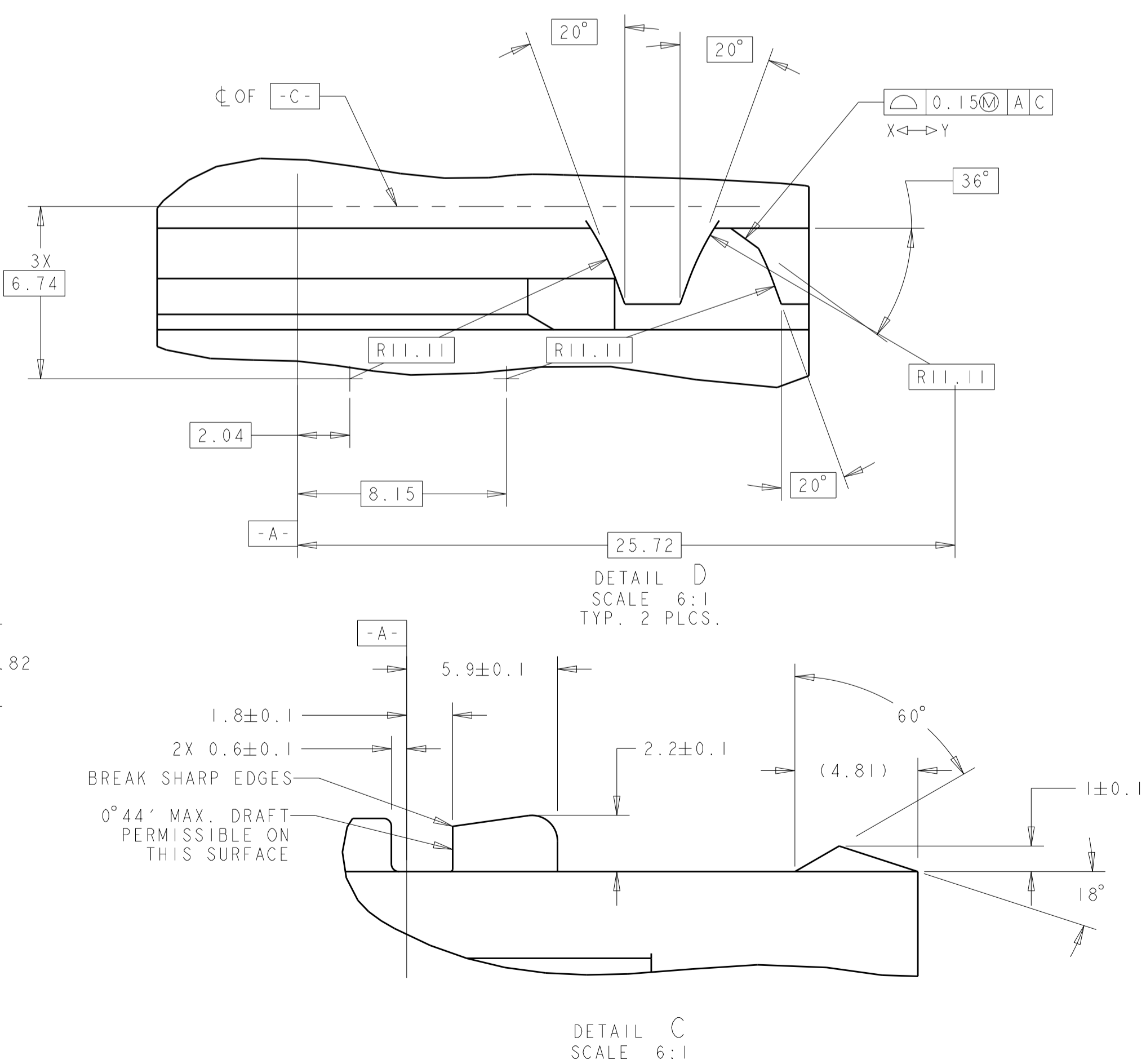
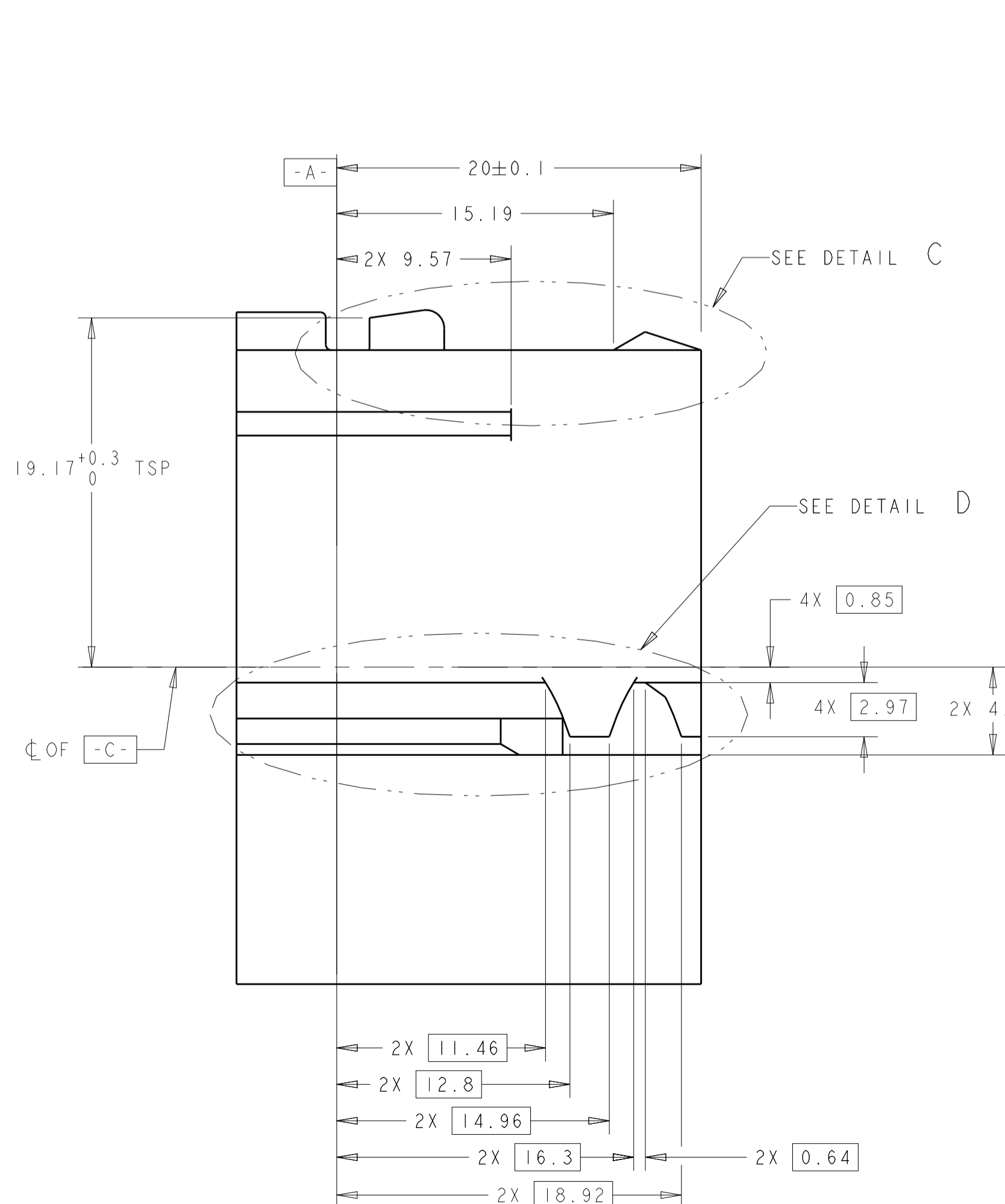
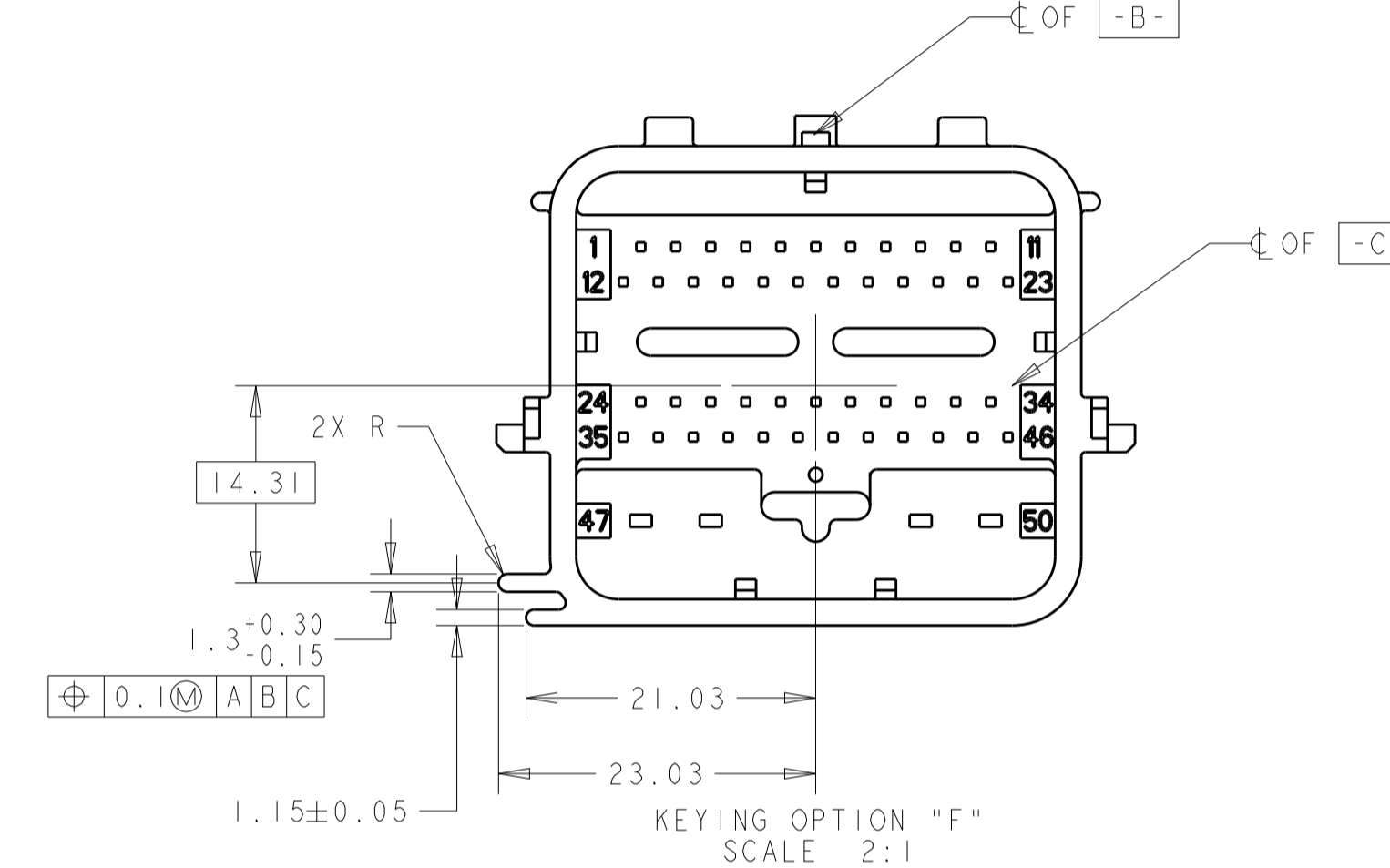
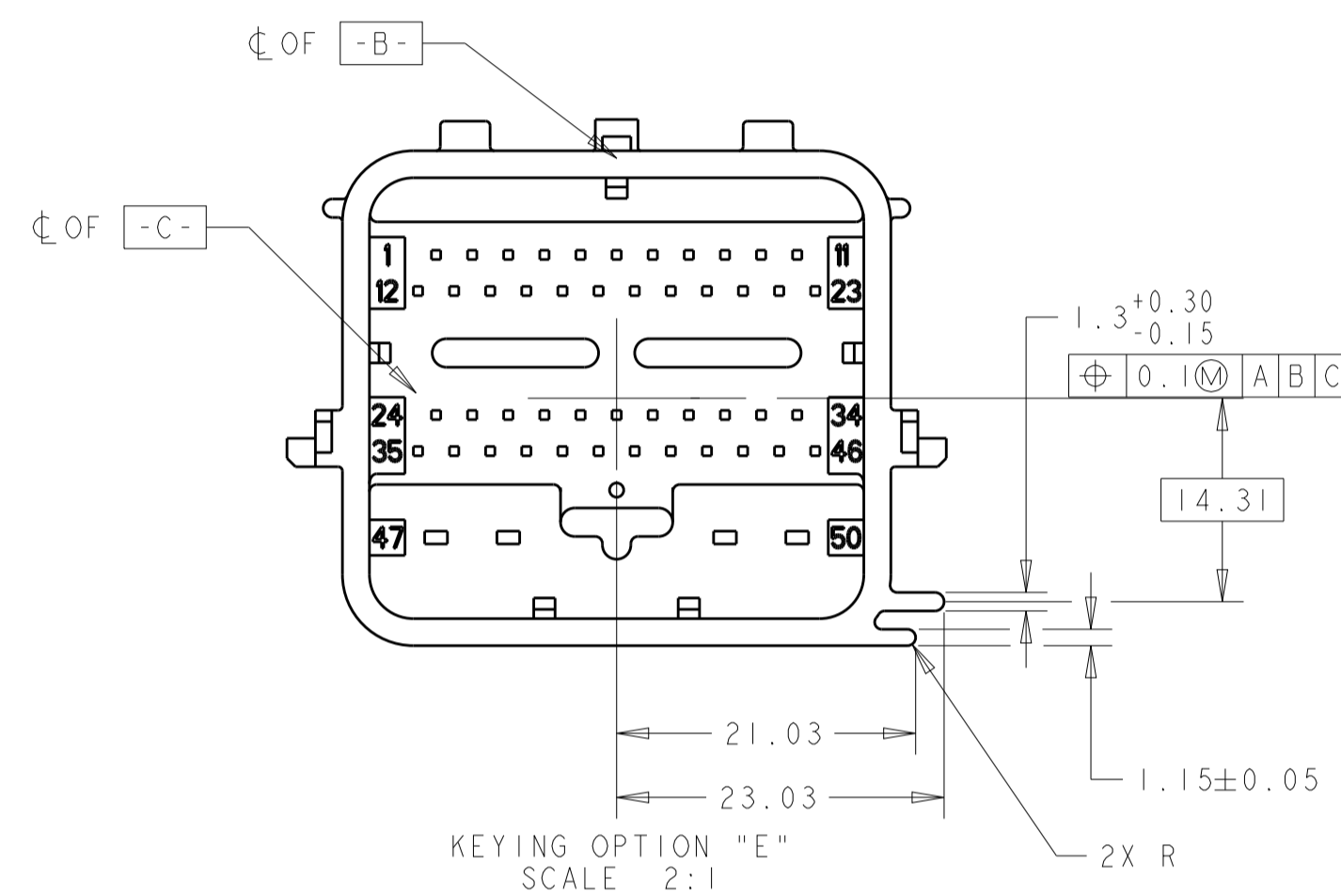
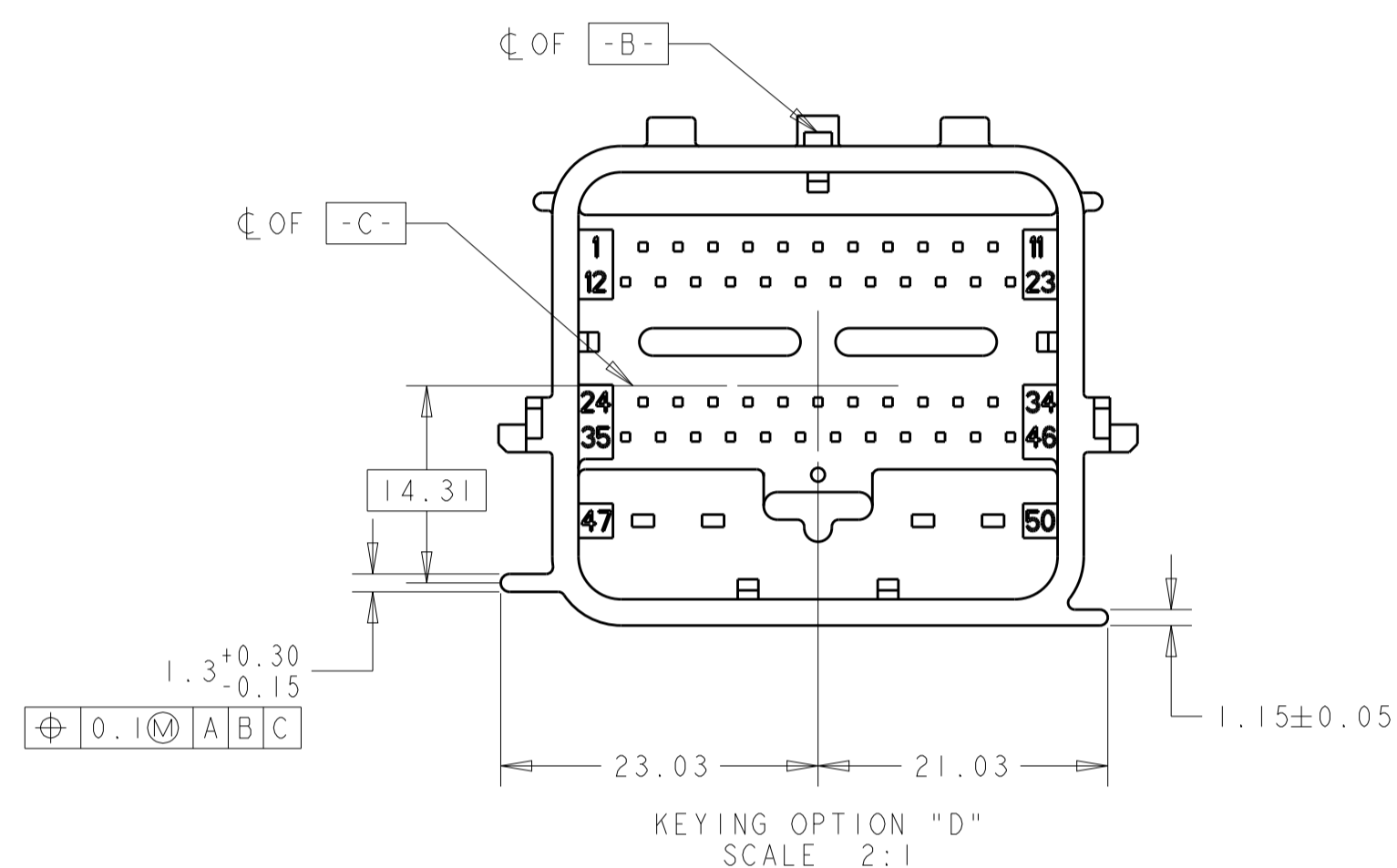
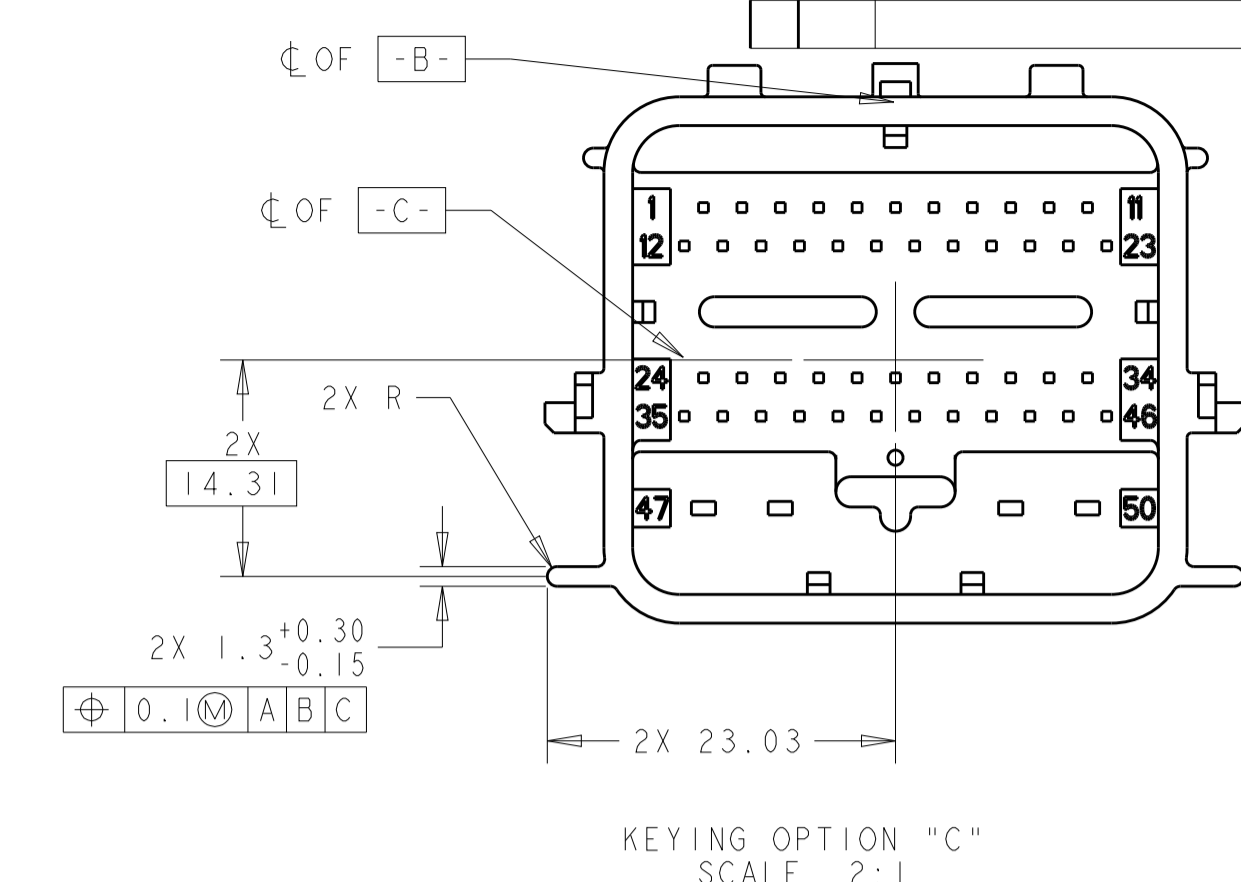
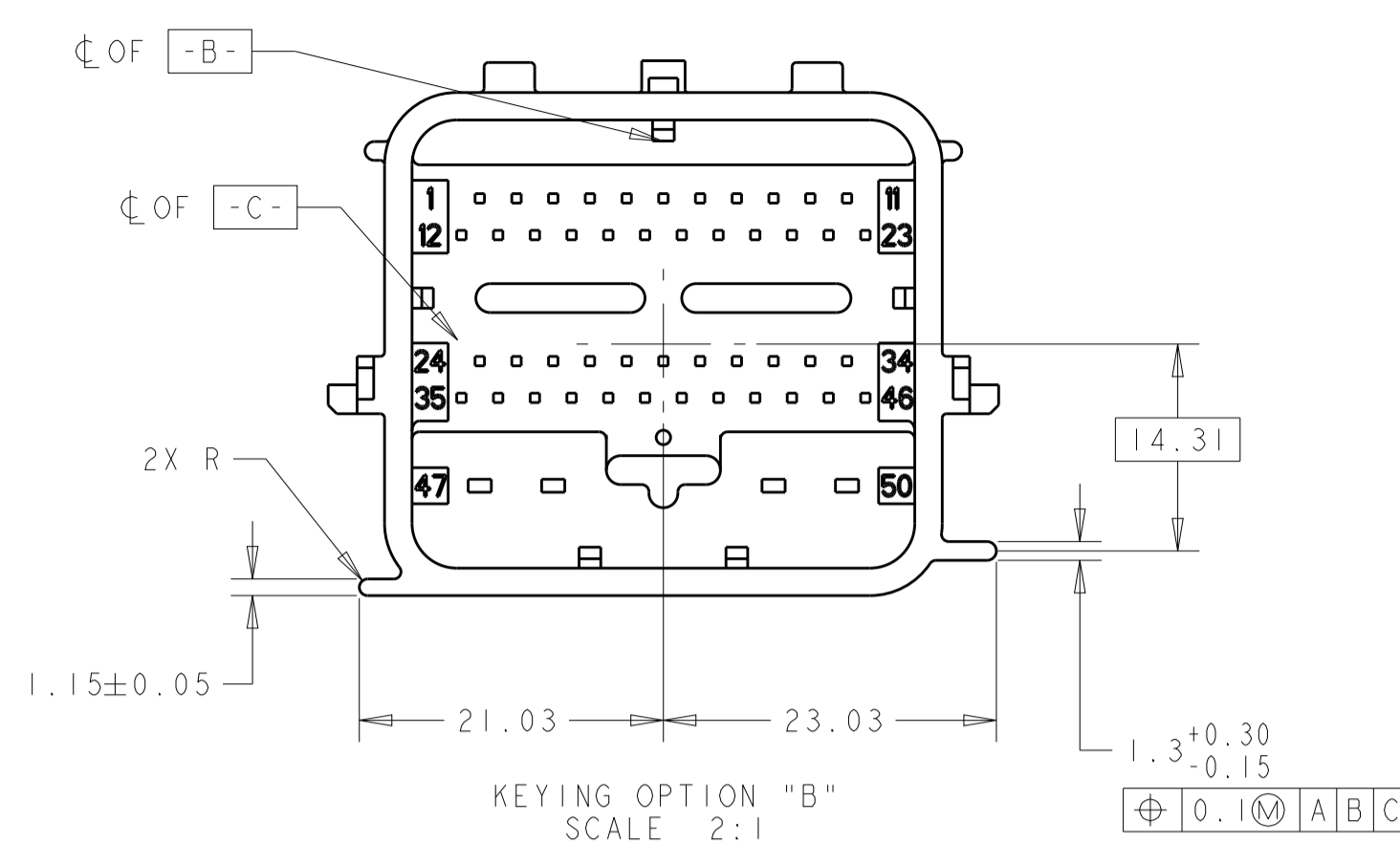
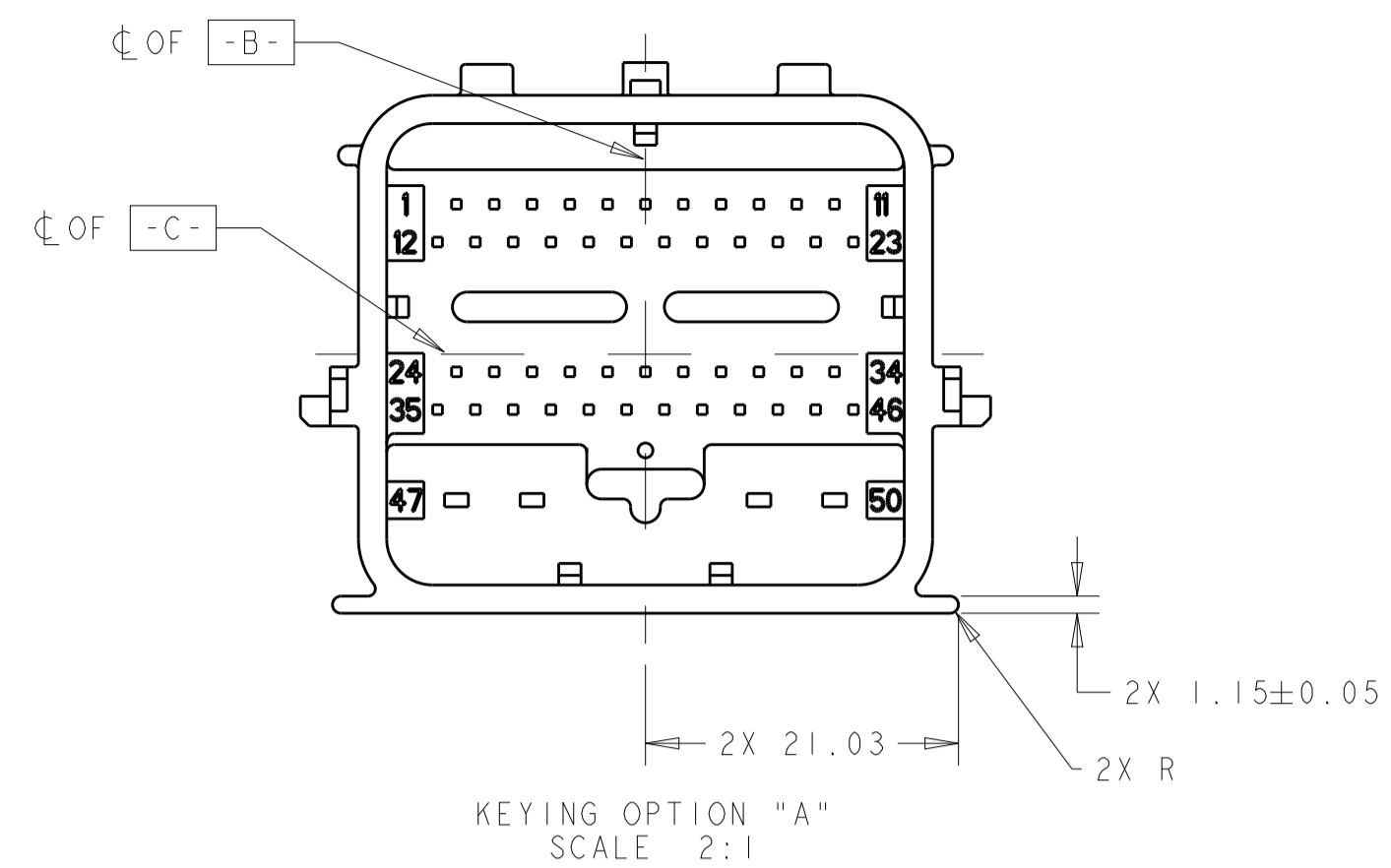
SECTION A-A

REVISIONS				
P.	LTN.	DESCRIPTION	DATE	APPV.
-	-	SEE SHEET 1	-	-

THIS DRAWING IS A CONTROLLED DOCUMENT.		OWN: R. VESTAL 15APR2005	TE Connectivity
DIMENSIONS: mm		CHK: T. VALASEK 15APR2005	
TOLERANCES UNLESS OTHERWISE SPECIFIED:		APVD: T. VALASEK 15APR2005	NAME: 50-WAY HARNESS ASSEMBLY, PCM SIZE: CAGE CODE: DRAWING NO: A100779C=1438129 RESTRICTED TO:
0 PLC ± 1 PLC ±0.3 2 PLC ±0.10 3 PLC ± 4 PLC ± ANGLES ±1°		PRODUCT SPEC: APPLICATION SPEC: WEIGHT: CUSTOMER DRAWING	
MATERIAL:		SCALE: 1:1	SHEET 9 OF 10 REV: F41

HEADER INTERFACE KEYING OPTIONS

REVISIONS				
P.	LTN.	DESCRIPTION	DATE	OWN. / APVD.
-	-	SEE SHEET 1	-	-



THIS DRAWING IS A CONTROLLED DOCUMENT.		OWN: R. VESTAL 15APR2005	
DIMENSIONS: mm		CHK: T. VALASEK 15APR2005	
TOLERANCES UNLESS OTHERWISE SPECIFIED:		APVD: T. VALASEK 15APR2005	NAME: 50-WAY HARNESS ASSEMBLY, PCM
0 PLC	±	PRODUCT SPEC	SIZE: CAGE CODE: DRAWING NO:
1 PLC	±0.3	APPLICATION SPEC	RESTRICTED TO:
2 PLC	±0.10	WEIGHT	A100779C=1438129
3 PLC	±	CUSTOMER DRAWING	SCALE: 1:1 SHEET 10 OF 10 REV: F41
4 PLC	±		
ANGLES	±		
FINISH	±		

单击下面可查看定价，库存，交付和生命周期等信息

[>>TE Connectivity\(泰科\)](#)