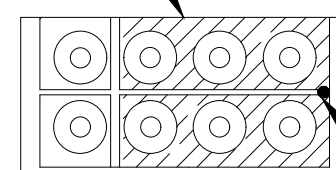


THIS DRAWING IS UNPUBLISHED. RELEASED FOR PUBLICATION
 © COPYRIGHT - By - ALL RIGHTS RESERVED.

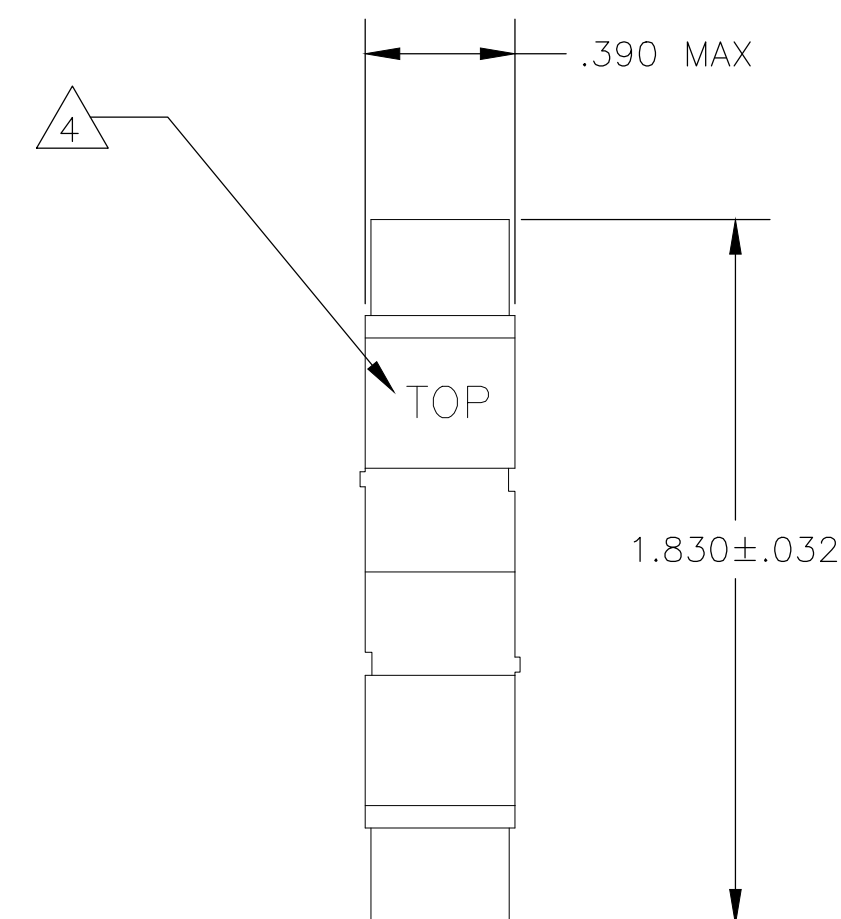
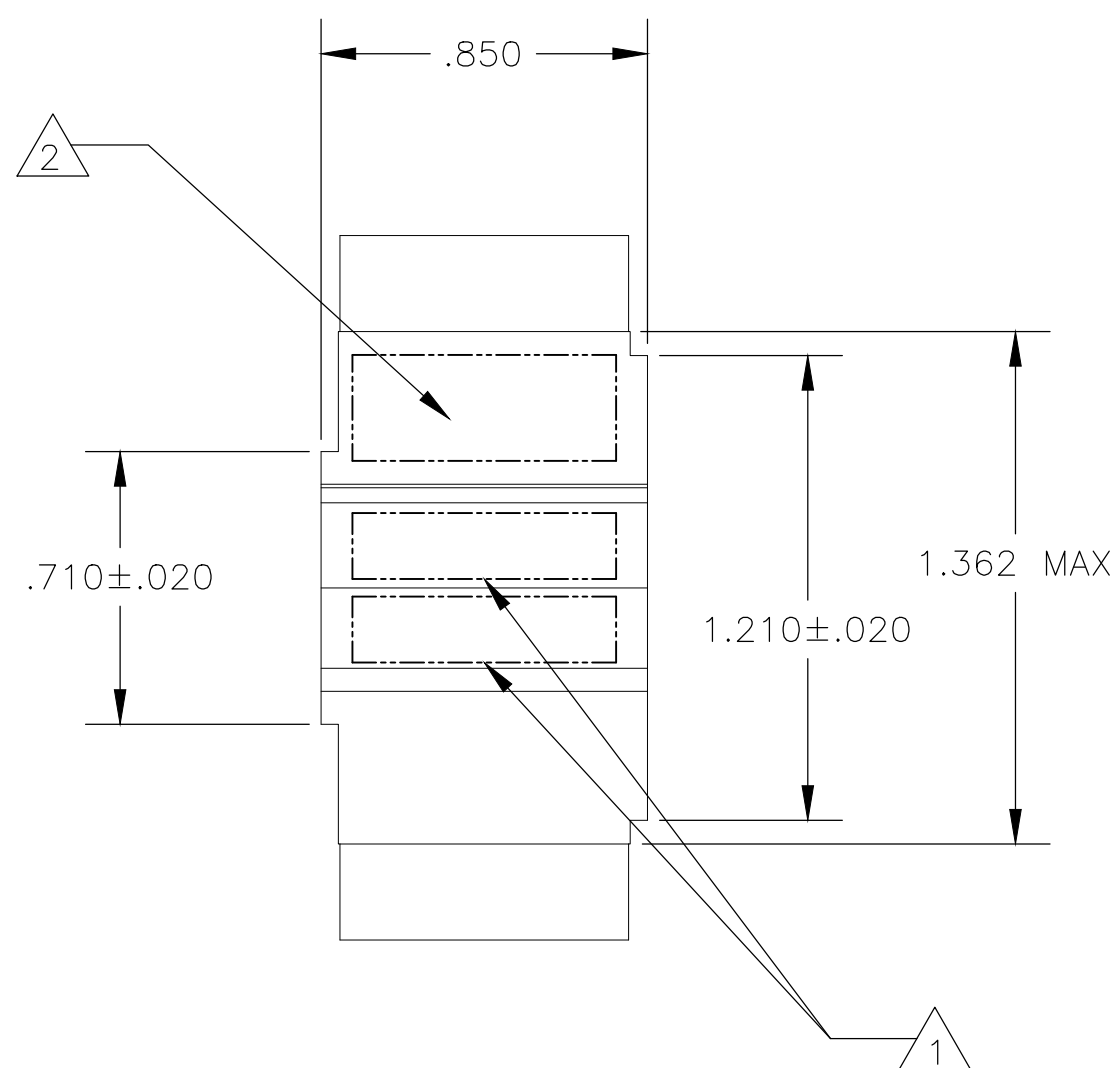
| REVISIONS | | | | | |
|-----------|-----|---------------------------|--------|-----|------|
| P | LTR | DESCRIPTION | DATE | DWN | APVD |
| E | | REVISED PER ECO 20-001680 | 2-7-20 | CT | VR |

| DESCRIPTION | MATERIAL | FINISH |
|-----------------|--|----------------------------|
| MODULE ASSEMBLY | EPOXY THERMOSET | COLOR: BLACK |
| GROMMET | FLOORSILICONE 40/50 PER MIL-R-25988 | COLOR: NATURAL |
| CONTACT SOCKET | BERYLLIUM COPPER PER ASTM-B194 | GOLD PLATE PER MIL-G-45204 |
| RETAINING CLIP | BERYLLIUM COPPER PER ASTM-B194 OR STAINLESS STEEL PER QQ-S-766 | NONE |

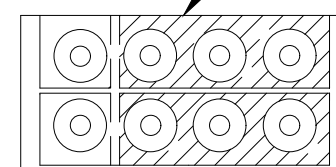
TOP BUSSING ARRANGEMENT



INDEXING INDICATOR



BOTTOM BUSSING ARRANGEMENT



- 1 MODULE ASSEMBLY MARKED WITH "TE", TE PART NO. AND DATE CODE .060 MINIMUM HIGH CHARACTERS ON EITHER SIDE.
- 2 MODULE ASSEMBLY MARKED WITH CUSTOMER PART NO. 12103B16E14-204 ON EITHER SIDE.
- 3. ROLLS ROYCE QUALITY SPECIFICATION CQC-103 IS INVOKED FOR THIS PART NO.
- 4 MARK WORD "TOP" AT LOCATION SHOWN.

592851

592851-1
PART NO.

| | | | | | | |
|--|--|-----------------------------|--|--------------------|------------------------|--------------------|
| THIS DRAWING IS A CONTROLLED DOCUMENT. | | DWN N. FRITZ 09-20-93 | TE Connectivity | | | |
| DIMENSIONS: INCHES | | CHK R. RYAN 09-21-93 | | | | |
| | | APVD R. RYAN 09-21-93 | NAME MODULE, COMBINATION ASSEMBLY SIZE 16 TJ | | | |
| TOLERANCES UNLESS OTHERWISE SPECIFIED: 0 PLC ± - 1 PLC ± - 2 PLC ± - 3 PLC ± .005 4 PLC ± - ANGLES ± - | | PRODUCT SPEC - | SIZE A2 | CAGE CODE 00779 | DRAWING NO C=592851 | RESTRICTED TO - |
| MATERIAL - | | FINISH - | WEIGHT 0.000000 | SCALE 2:1 | SHEET 1 of 1 | REV E |
| CUSTOMER DRAWING | | | | | | |

单击下面可查看定价，库存，交付和生命周期等信息

[>>TE Connectivity\(泰科\)](#)