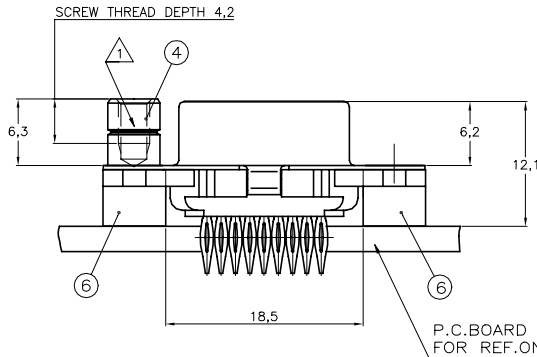
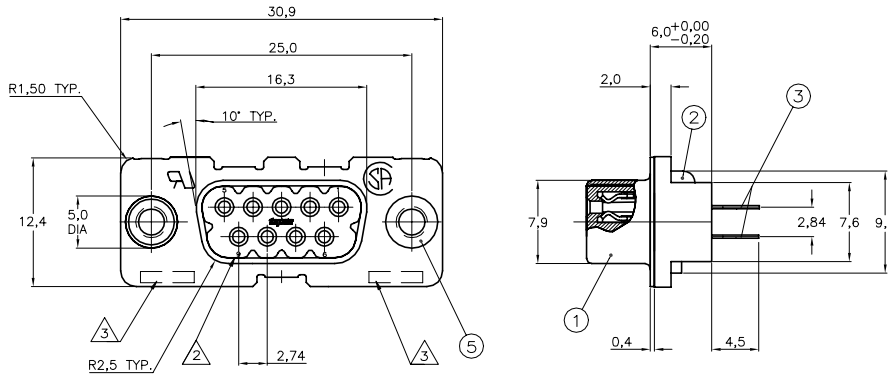


REVISIONS					
P	LTR	DESCRIPTION	DATE	OWN	APVD
J2		ECO-20-004921	13APR2020	RR	SH

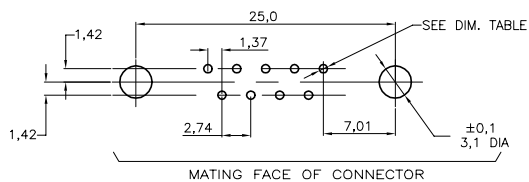
03FEB10 KK HMR



P.C.B. HOLE DIM. FOR CONTACTS	
DRILLED HOLE	: 1,15 ±0,025 mm
FIN. HOLE	: 0,94 to 1,09 mm
AFTER REFLOW	: 0,91 to 1,09 mm
Cu-thks	: 0,025 to 0,075 mm
SnPb-thks	: 0,004 to 0,010 mm

6 OBSOLETE PARTS: OBSOLETE CIS STREAMLINING PER D.RENAUD/D.SINISI

RECOMMENDED P.C. BOARD HOLE-LAYOUT



ACCESSORIES PREFIX "Z"	ITEM NO	DESCRIPTION OF ACCESSORY	2	3	4
5		BUSHING WITH THROUGH HOLE 3,1 DIA.	2	2	2
5		BUSHING WITH THREAD 4-40 UNC	2	2	2
5		BUSHING WITH THREAD M3	2	2	2
4		FEMALE SCREWLOCK WITH 4-40 UNC	2	2	2
4		FEMALE SCREWLOCK WITH M3	2	2	2

HOW TO ORDER:	PLATING SUFFIX "Y"
9 POS.-----> Z-338210-Y	
PREFIX FOR ACCESSORIES	
BASIC PARTNR.	
SUFFIX FOR PLATING	
	GOLD OVER NICKEL AS PER PERFORMANCE LEVEL 2 (DIN 41652) PRESS-FIT PART: TIN-PLATING 3µm } -Y = -2

NOTES :

- △ GROOVE INDICATES VERSION WITH 4-40 UNC INNER THREAD; WITHOUT GROOVE INDICATES VERSION WITH M3 INNER THREAD.
- △ CAVITY IDENTIFICATION AT FRONT SIDE ONLY.
- △ PARTNUMBER AND DATE CODE.
- 4 CONNECTOR CAN BE USED FOR PCB THICKNESS OF 1,6 mm MINIMUM AND THICKER.
- 5 AIR AND CREEPAGE DISTANCES ACCORDING TO DIN 41652.

ITEM NRS./MATERIAL :	
1 SHELL	= BRIGHT TINPLATED STEEL
2 HOUSING	= GLASSFILLED POLYESTER, COLOR : BLACK
3 CONTACTS	= PHOSPHORBRONZE (PLATING : SEE TABLE ABOVE)
4 FEMALE SCREWLOCK	= TINPLATED STEEL (INNER THREAD 4-40 UNC OR M3)
5 BUSHING	= TINPLATED STEEL (INNER THREAD 4-40 UNC OR M3 OR 3,1 DIA. THROUGH HOLE)
6 STAND OFF	= MAT: ULTRAMID V0 COLOR BLACK.

THIS DRAWING IS A CONTROLLED DOCUMENT.		OWN: D. KESSLER 25FEB99		
DIMENSIONS: mm		CHK: W. SOOMERS 24AUG00		
TOLERANCES UNLESS OTHERWISE SPECIFIED:		APVD: -	NAME: HDP-20 SIZE 1 VERTICAL+ RECEPTACLE HEADER; PRESS-FITVERSION	
0 PLC ± -	1 PLC ± -	PRODUCT SPEC: -	SIZE: A2	
2 PLC ± -	3 PLC ± -	APPLICATION SPEC: -	CAGE CODE: 00779	
4 PLC ± -	ANGLES ± -	WEIGHT: 0,000000	DRAWING NO: 338210	
MATERIAL: -		FINISH: -	RESTRICTED TO: -	
CUSTOMER DRAWING		SCALE: -	SHEET: 1 of 1	
				REV: J2

单击下面可查看定价，库存，交付和生命周期等信息

[>>TE Connectivity\(泰科\)](#)