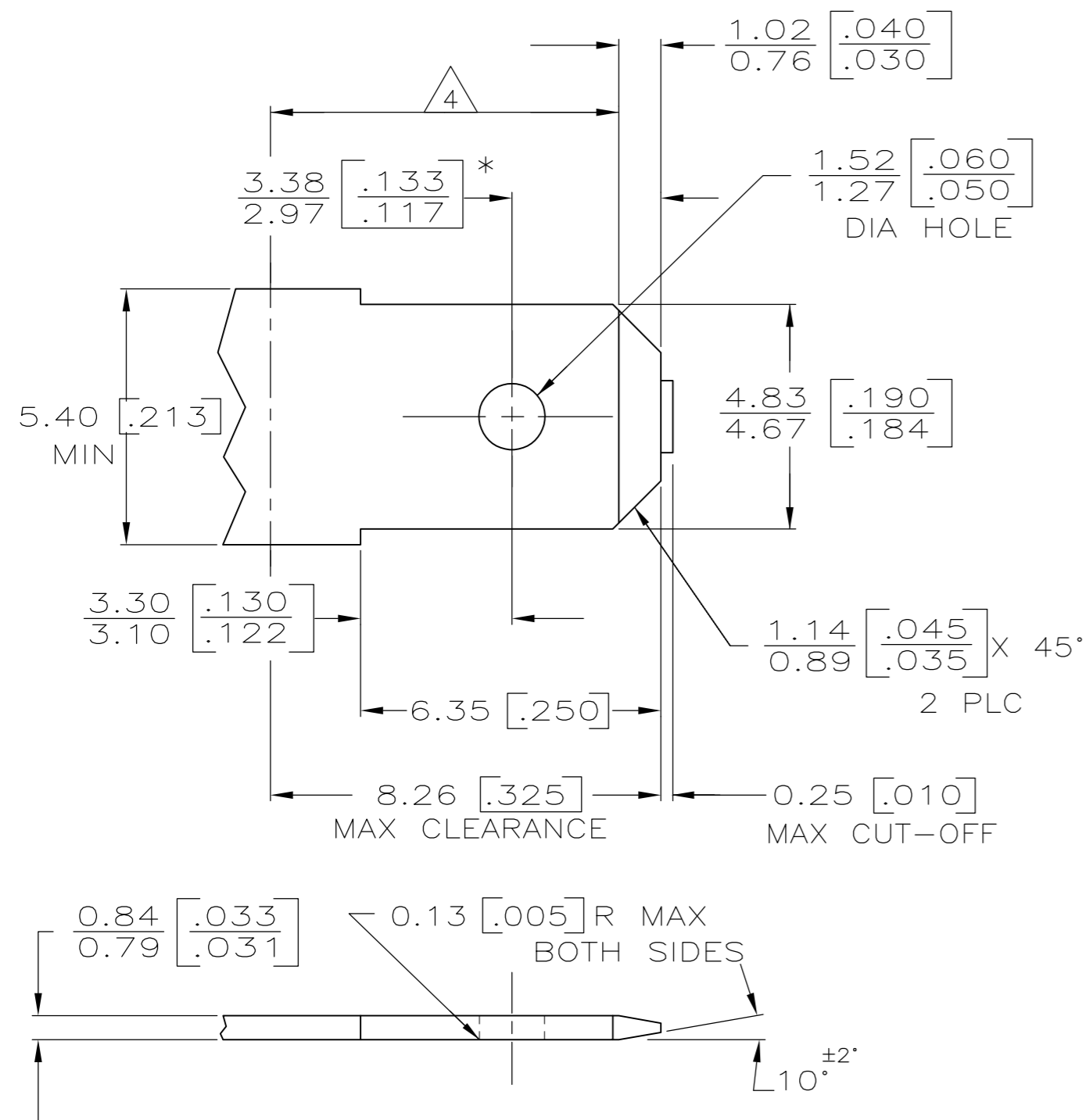


THIS DRAWING IS UNPUBLISHED. RELEASED FOR PUBLICATION  
 © COPYRIGHT - By - ALL RIGHTS RESERVED.

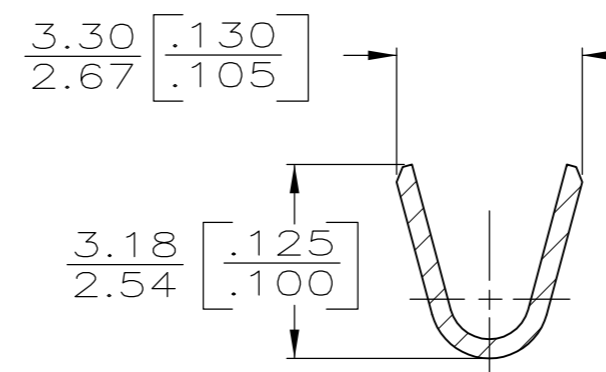
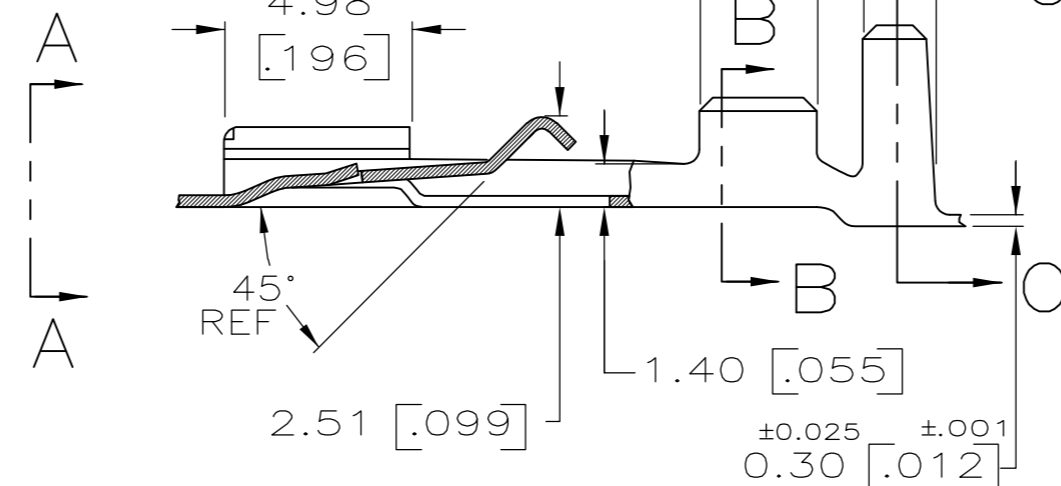
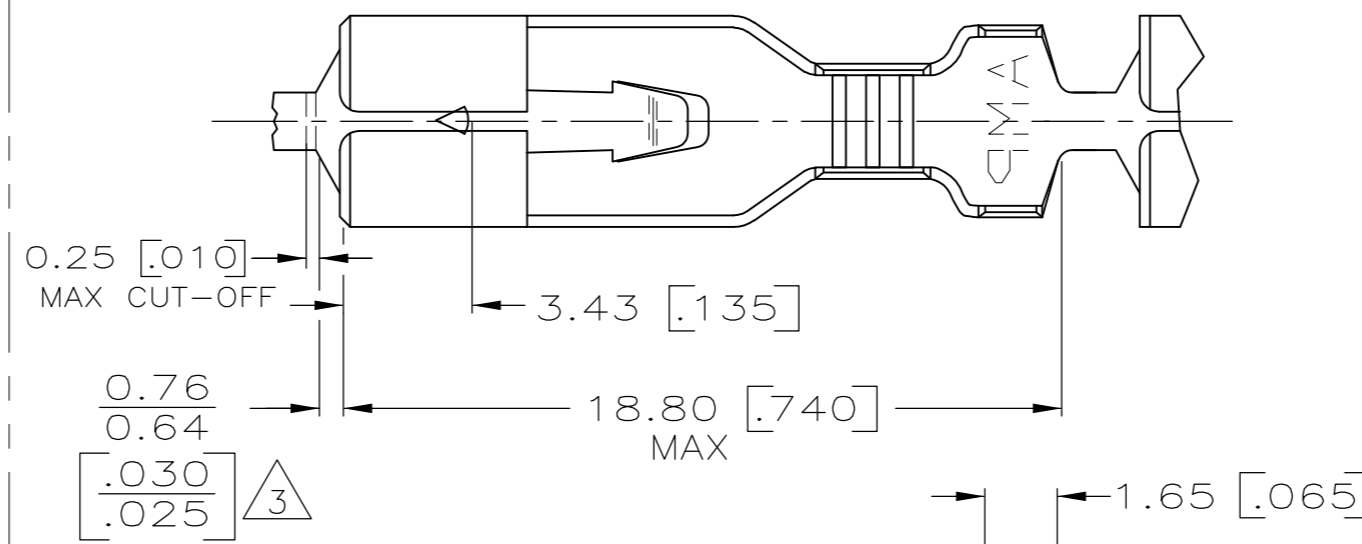
LOC	DIST	REVISIONS			
P	LTR	DESCRIPTION	DATE	DWN	APVD
AF	50	B	REVISED PER ECR-13-011489	30NOV2013	KH PD

### SUGGESTED MATING TAB

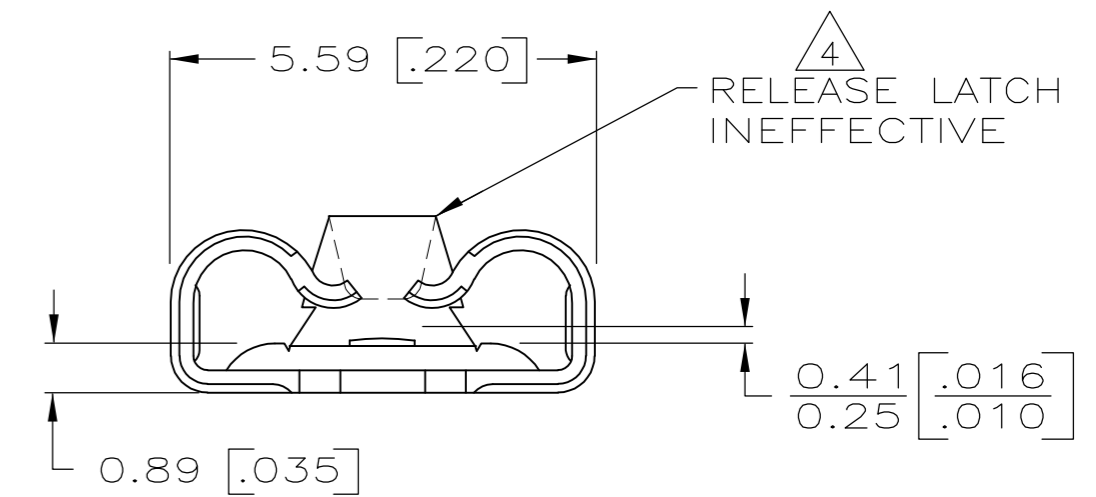


- MATL: #2 HARD BRASS OR NICKEL PLATED STEEL.
  - NO BURRS PERMISSIBLE AT HOLE.
  - TIN PLATING IS REQUIRED ON BRASS WHEN TEMPERATURE IS OVER 225° F.
  - MUST BE FLAT WITHIN 0.076[.003] OVER THIS LENGTH.
  - HOLE MUST BE SYMMETRICAL ABOUT TAB  $\epsilon$  WITHIN 0.076[.003].
- \* TO BE USED ONLY WHEN SHOULDER IS ELIMINATED.

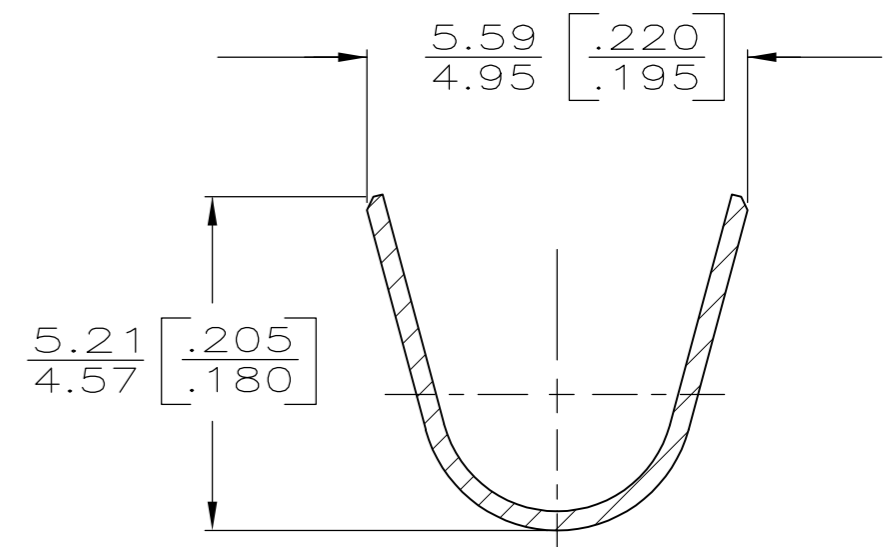
- DIMENSIONS IN BRACKETS ARE IN INCHES.
- CONTINUOUS STRIP ON REELS.
- THIS DIMENSIONS MUST BE MAINTAINED FOR PROPER FUNCTION OF THE LATCHING MECHANISM.
- LEVER MAY NOT UNLOCK MATING TAB.



SECTION B-B



VIEW A-A



SECTION C-C

2.29 - 3.30 [.090 - .130]	0.5 - 1.4mm <sup>2</sup> [20-16]	63520-1
INSULATION RANGE		PART NO
WIRE SIZE		

THIS DRAWING IS A CONTROLLED DOCUMENT.		DWN	JR RUTH	3/27/90		TE Connectivity		
DIMENSIONS: mm [INCHES]		CHK	G YETTER	3/27/90		NAME		
TOLERANCES UNLESS OTHERWISE SPECIFIED:		APVD	J GILLESPIE	3/27/90		RECEPTACLE, POSITIVE LOCK, .187 SERIES		
0 PLC ± -		PRODUCT SPEC	-			SIZE		
1 PLC ± -		APPLICATION SPEC	-			CAGE CODE	DRAWING NO	RESTRICTED TO
2 PLC ± -		WEIGHT	-			A2	00779	C=63520
3 PLC ± 0.25 [.010]		CUSTOMER DRAWING	-			SCALE	SHEET	REV
4 PLC ± -			-			5:1	1 of 1	B
ANGLES ± -			-					
MATERIAL		FINISH	TIN 0.002032 [.000080 MIN]					
BRASS								

单击下面可查看定价，库存，交付和生命周期等信息

[>>TE Connectivity\(泰科\)](#)