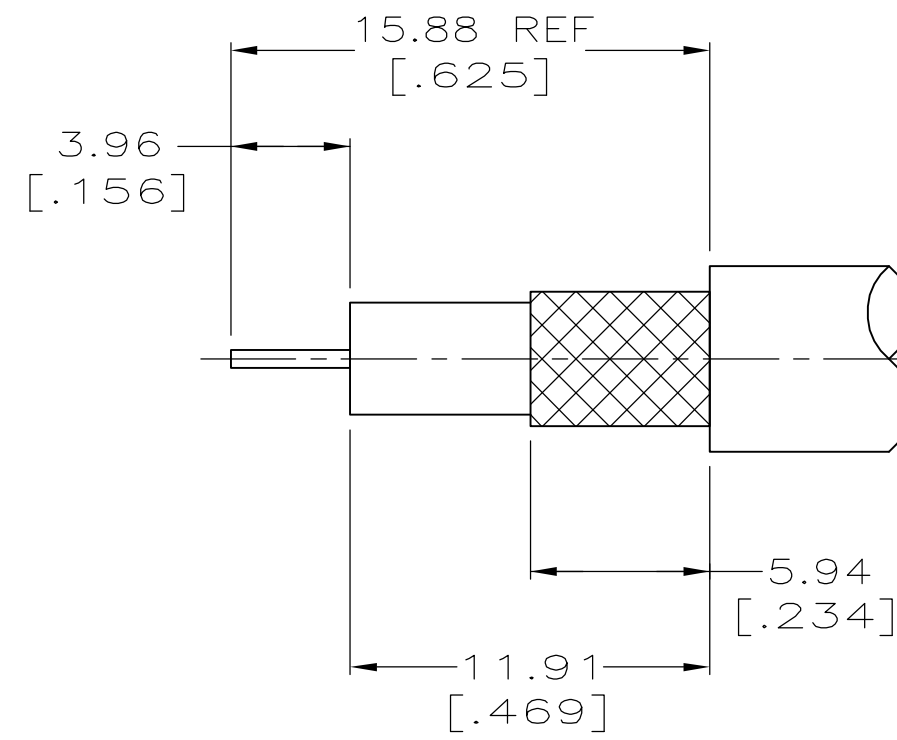
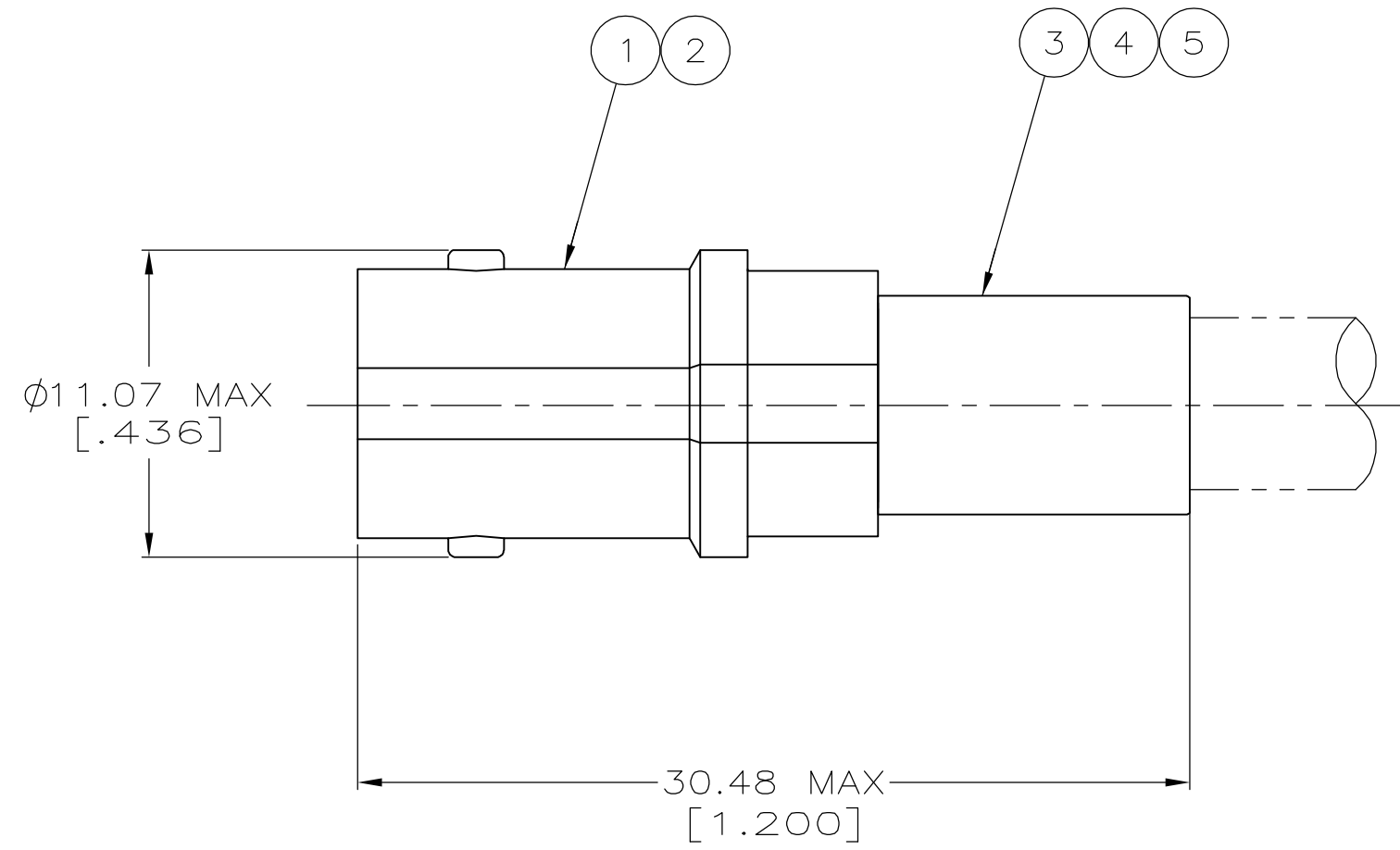


THIS DRAWING IS UNPUBLISHED. RELEASED FOR PUBLICATION
 © COPYRIGHT BY TYCO ELECTRONICS CORPORATION. ALL RIGHTS RESERVED.

LOC	DIST	REVISIONS			
P	LTR	DESCRIPTION	DATE	DWN	APVD
AJ	17	A	REVISED PER EC OS14-0150-05	30AUG05	BM JL



RECOMMENDED STRIP LENGTH

- 1 USE WITH PRO-CRIMPER 354940-1.
- 2. USE INSTRUCTION SHEET 408-9090.
- 3. DIELECTRIC MUST WITHSHAND A 5 LB PUSH OUT FORCE.

RG-179	58304-1	222001-8	227194-2	9-328666-0	2-221200-0	221202-3	5221199-5
RG-59/U,59A/U & 59B/U	58085-1	-	-	9-50428-0	221200-3	221202-2	5221199-2
BELDEN 9248, MADISON 18AWG	58086-1	-	-	9-50427-0	3-221200-2	221202-1	5221199-1
FOR USE WITH CABLE	DIE SET	5 TUBING, METAL QTY=1	4 TUBING, PLASTIC QTY=1	3 FERRULE QTY=1	2 CONTACT QTY=1	1 JACK ASSEMBLY QTY=1	PART NUMBER

THIS DRAWING IS A CONTROLLED DOCUMENT.

DWN	J. HAVENER	24JAN2005
CHK	J. HAVENER	25JAN2005
APVD	J. LIPPERT	25JAN2005

PRODUCT SPEC: 108-12095

APPLICATION SPEC: -

WEIGHT: -

CUSTOMER DRAWING

SCALE: 4:1

SHEET 1 OF 1

REV A

tyco Electronics
 Tyco Electronics Corporation
 Harrisburg, Pa 17105-3608

NAME: JACK, 75 OHM, BNC

SIZE: A2

CAGE CODE: 00779

DRAWING NO: C=5221199

RESTRICTED TO: -

单击下面可查看定价，库存，交付和生命周期等信息

[>>TE Connectivity\(泰科\)](#)