

4

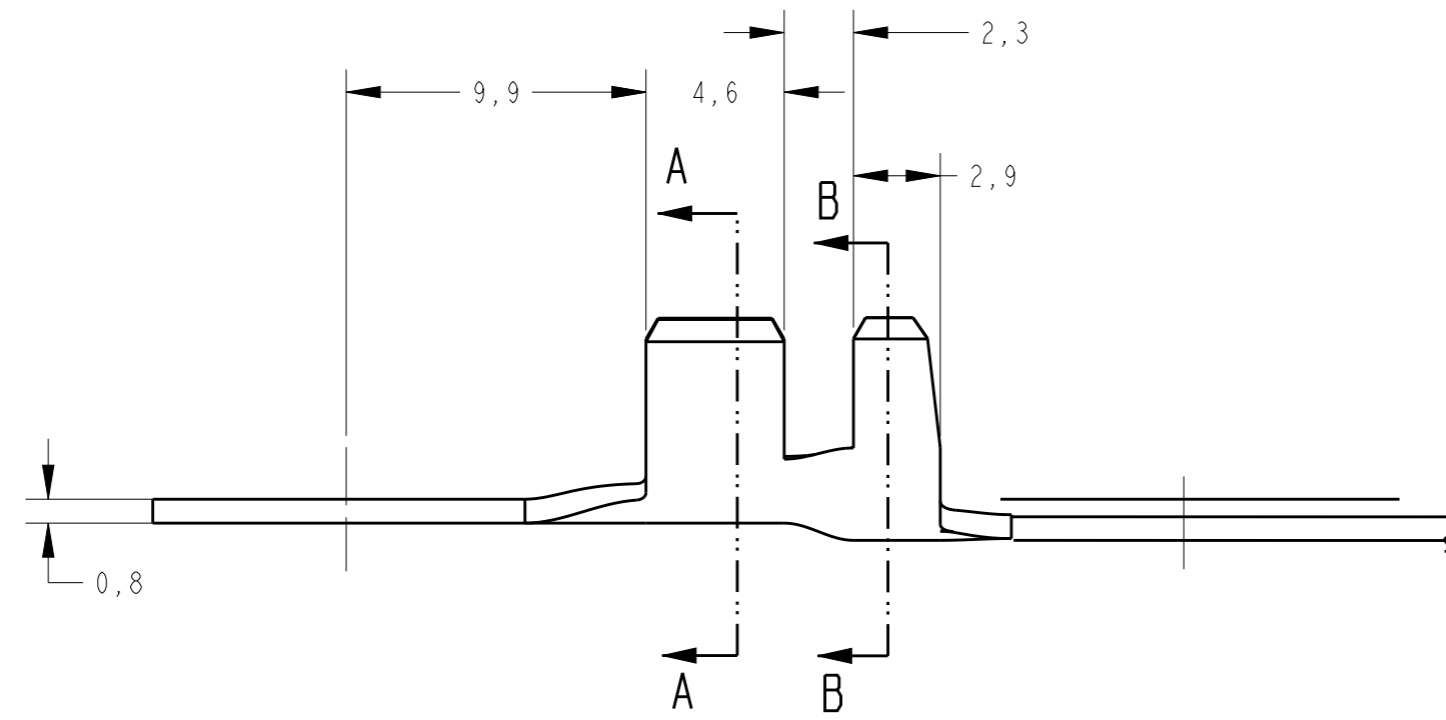
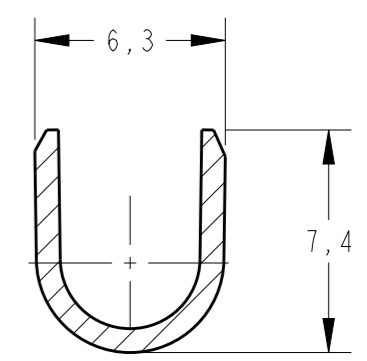
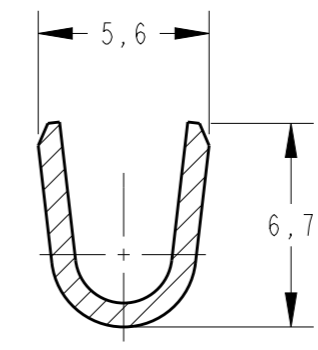
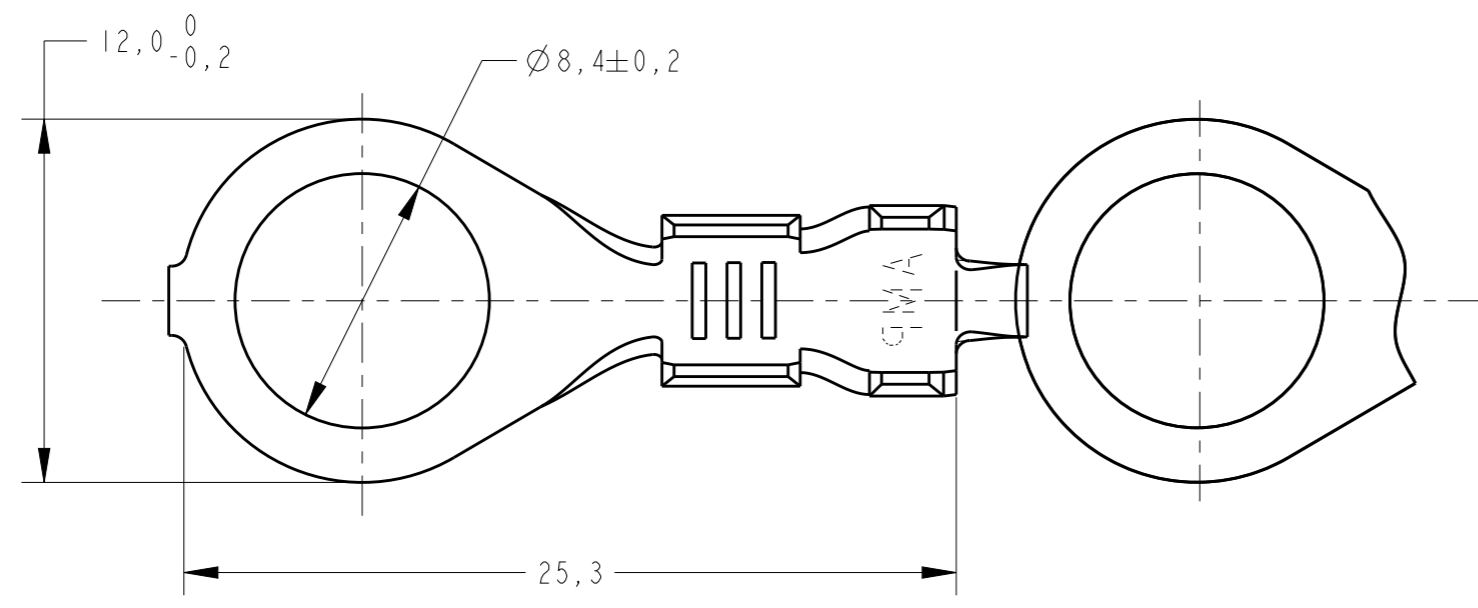
3

2

1

THIS DRAWING IS UNPUBLISHED. RELEASED FOR PUBLICATION 20
© COPYRIGHT 20 BY - ALL RIGHTS RESERVED.

REVISIONS					
P	LTR	DESCRIPTION	DATE	DWN	APVD
	G3	REDRAWN BY ECO-10-009304	17MAY2010	FC	JRG
	G4	REVISED BY ECO 16-005813	18JULY2016	HC	WLS



OBSOLETE	---	BRONZE FOSF. / PHOSP. BRONZE	626038-3
	PRE ESTANHADO/PRE TIN PLATED	LATÃO / BRASS	626038-2
OBSOLETE	---	LATÃO / BRASS	626038-1
	FINISH	MATERIAL	PART NO

VIRE RANGE (mm ²) 4 - 6	
INSUL / RANGE (Ømm) 3,2 - 5,3	
SURF AREA	---
APPL. FEED	TRIMMING BURR
---	---
WDW 14,22	IDW 16,26
REELING 107--	
SPLICE 115--	

THIS DRAWING IS A CONTROLLED DOCUMENT.	
DIMENSIONS: mm	TOLERANCES UNLESS OTHERWISE SPECIFIED:
	0 PLC ±-
	1 PLC ±0,3
	2 PLC ±-
	3 PLC ±-
	4 PLC ±-
	ANGLES ±1°
MATERIAL SEE TABLE	FINISH SEE TABLE

DWN 08JUN1999 A. PERUSSI	TE Connectivity	NAME RING TONGUE	
CHK 17JUN1999 P.L.FARIA		-	
APVD 17JUN1999 F. GROLLA		-	
PRODUCT SPEC -		-	
APPLICATION SPEC -	SIZE A3	CAGE CODE 00779	DRAWING NO C-626038
WEIGHT -	SCALE 4:1		SHEET 1 OF 1
CUSTOMER DRAWING	REV G4		RESTRICTED TO -

单击下面可查看定价，库存，交付和生命周期等信息

[>>TE Connectivity\(泰科\)](#)