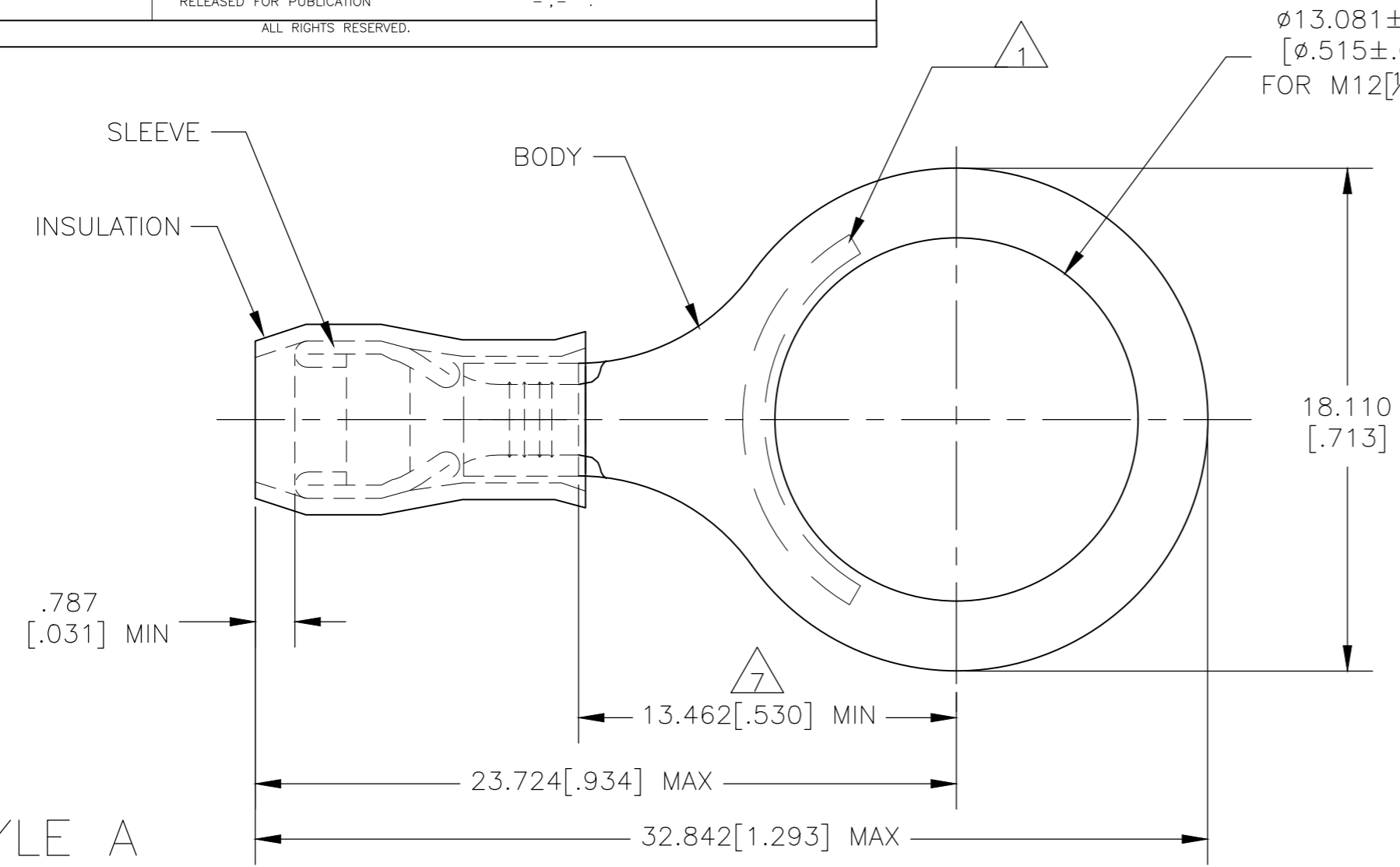
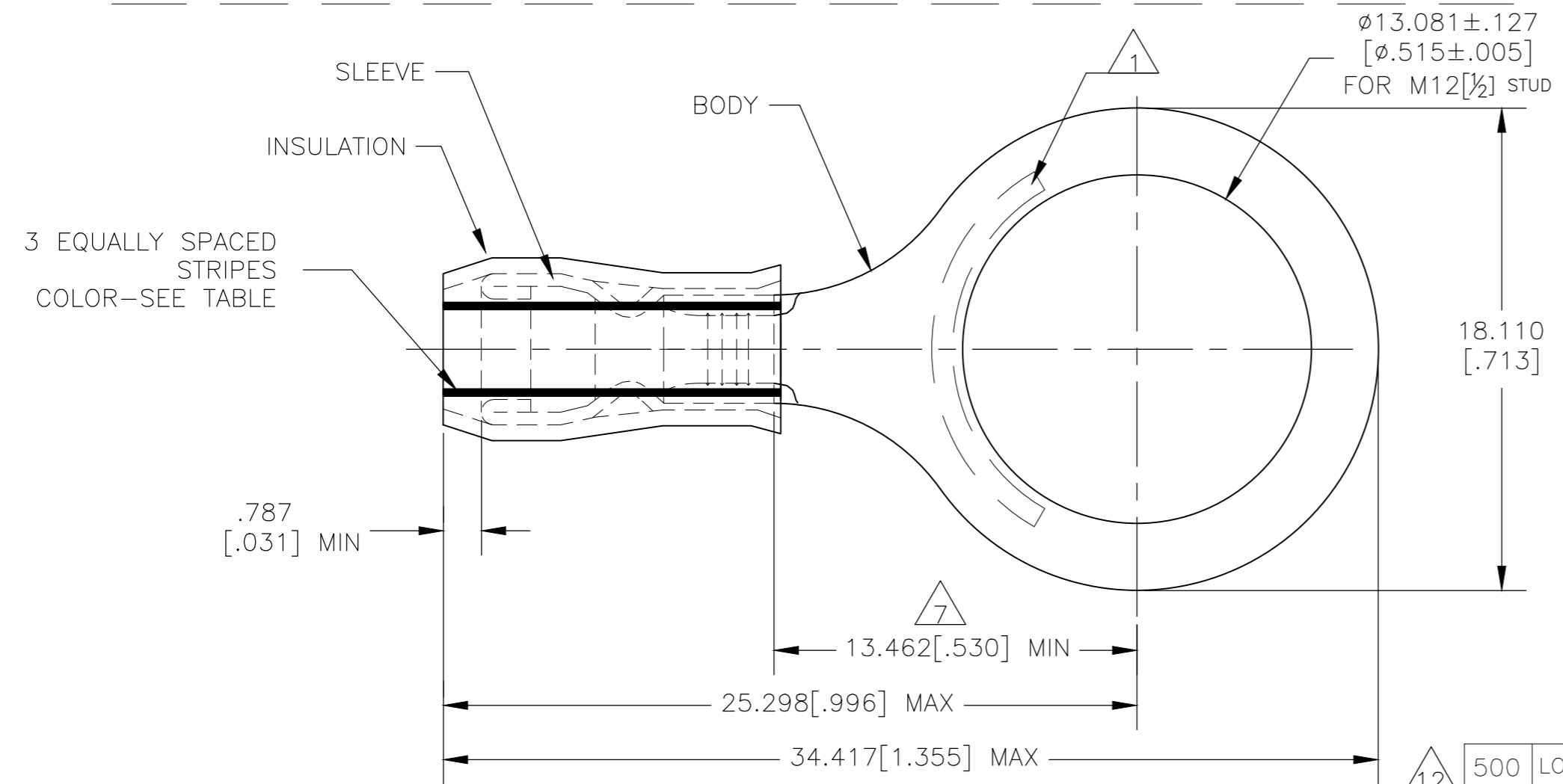


LOC		DIST		REVISIONS			
P	LTR	DESCRIPTION	DATE	DWN	APVD		
G	14	H1	REVISED PER ECO-19-007720	21MAY2020	KR	DR	



<b>AMP</b> WIRE RANGE	E13288 Listed	LR7189 Certified
16-14 AWG SOLID OR STRANDED IR: STRANDED	16-14 AWG STRANDED	16-14 AWG SOLID OR STRANDED IR: STRANDED

- 1 STAMP "AMP - SEE TABLE" APPROX AS SHOWN.
- 2 WIRE INSULATION DIA: SEE TABLE.
- 3 BODY MATERIAL THK: .787±.051[.031±.002].
- 4 BODY: TIN PLATE .00254[.000100] MIN EXT THK PER ASTM B545.
- 5 SLEEVE: TIN PLATE .00254[.000100] MIN EXT THK PER ASTM B545.
- 6 BODY & SLEEVE- CU PER ASTM B152 INSULATION - NYLON PER ASTM D4066
- 7 APPLIES FROM EDGE OF METAL WIRE BARREL TO CENTER OF STUD HOLE.
- 8 MEETS MS25036-155, CLASS 1 & 2.
- 9 MEETS M7928/1-46, CLASS 1 & 2.
- 10 MEETS M7928/1-55, CLASS 1 & 2.
- 11 UL LISTED
- 12 CSA CERTIFIED



QTY	PACKAGE TYPE	STAMPING	WIRE INSUL DIA	WIRE SIZE	STRIPE COLOR	STYLE	BODY FINISH	SLEEVE FINISH	PART NO
500	LOOSE PIECE	14*	1.981[.078]-3.302[.130]	14	GREEN	B			2-328976-2
500	LOOSE PIECE	16*	1.600[.063]-3.302[.130]	16	BLUE	B	4	5	2-328976-1
500	LOOSE PIECE	16-14*	2.667[.105]-3.810[.150]	16-14	--	A			328976

<b>CUSTOMER SERVICE SYSTEMS</b>		MAX RECOMMENDED OPERATING TEMPERATURE: 105°C[221°F] MAX	THIS DRAWING IS A CONTROLLED DOCUMENT.		DWN JR RUTH 13JAN10	<b>STE</b> TE Connectivity				
FOR ADDITIONAL PRODUCT INFORMATION OR COPIES OF DRAWINGS AND TECHNICAL DOCUMENTS	PRODUCT INFORMATION CENTER 1-800-522-6752	VOLTAGE RATING: 300 VOLT MAX	DIMENSIONS: mm [INCHES]	TOLERANCES UNLESS OTHERWISE SPECIFIED:	CHK T MICHELUTTI 13JAN10	NAME T MICHELUTTI				
FOR APPLICATION	TOOLING ASSISTANCE CENTER 1-800-722-1111	CIRCULAR MIL AREA: 1.04-2.62mm² [2,050-5,180] STRANDED OR SOLID		0 PLC ± - 1 PLC ± - 2 PLC ± - 3 PLC ± 0.127(.005) 4 PLC ± - ANGLES ± -	APVD T MICHELUTTI 13JAN10	PRODUCT SPEC UL 486A-B 11				
TOOLING INFORMATION	1-800-722-1111		MATERIAL	INSULATION: COLOR-BLUE	APPLICATION SPEC 114-2157	SIZE A2	CAGE CODE 00779	DRAWING NO C-328976	RESTRICTED TO	
FOR ORDER ENTRY	1-800-526-5142				WEIGHT -	CUSTOMER DRAWING		SCALE 5:1	SHEET 1 of 1	REV H1

单击下面可查看定价，库存，交付和生命周期等信息

[>>TE Connectivity\(泰科\)](#)